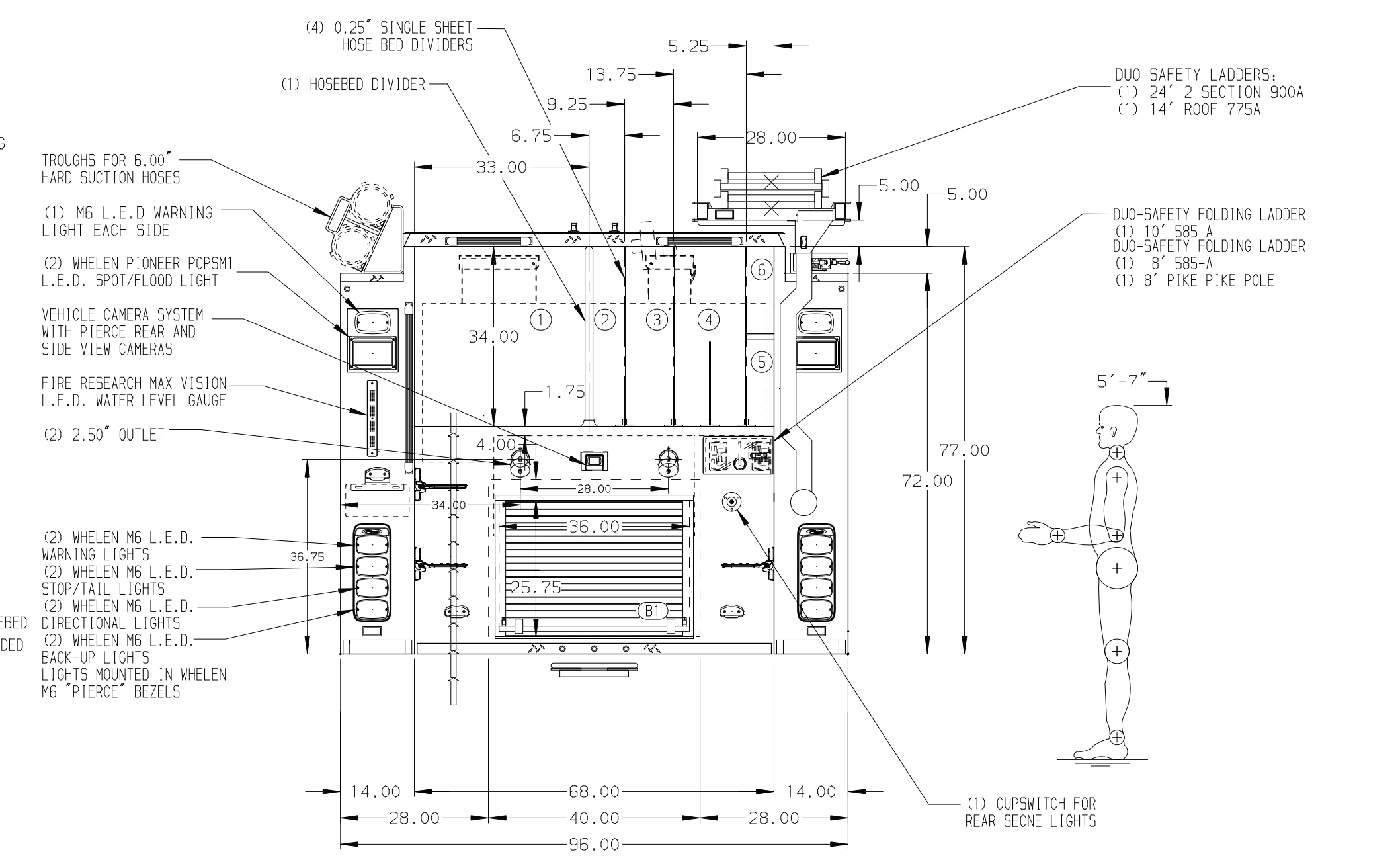
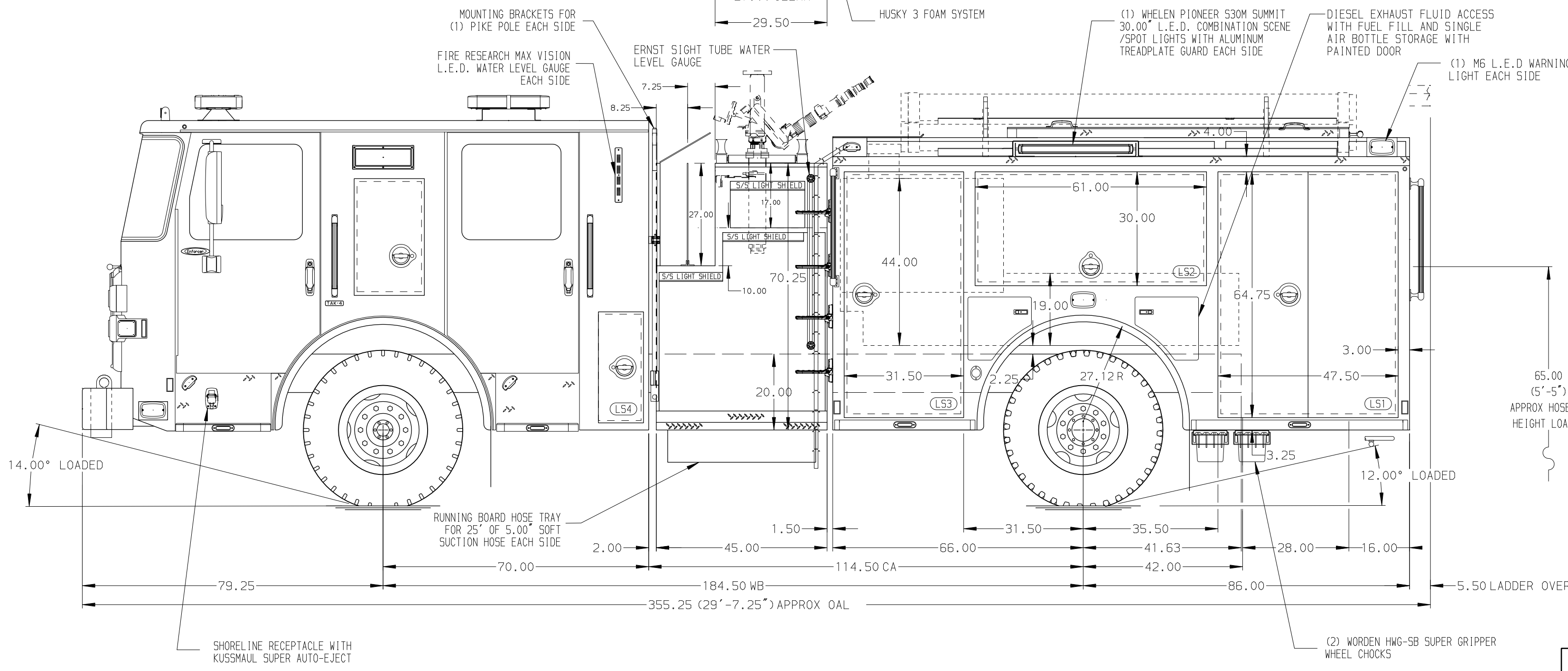


- HOSEBED CAPACITIES**
- ① 1000' OF 5.00" D.J. POLY HOSE
 - ② 600' OF 1.75" D.J. POLY HOSE
 - ③ 600' OF 2.50" D.J. POLY HOSE
 - ④ 500' OF 3.00" D.J. POLY HOSE W/ 2.50" WATER THIEF
 - ⑤ 150' OF 2.50" D.J. POLY HOSE
 - ⑥ (2) 100' BUNDLES OF 1.75" D.J. POLY HOSE



ALUMINUM BODY MAXIMUM O.A.H 113.00" LOADED MAXIMUM O.A.L 355.25"

NOTE
DIMENSIONS SHOWN ARE APPROXIMATE AND ARE SUBJECT TO MINOR DEVIATIONS AS MAY OCCUR OR BE NECESSARY IN CONSTRUCTION. MINOR DETAILS NOT SHOWN.

1. BATTERY CHARGER LOCATED HIGH LEFT WALL OF LS3
2. 12V L.E.D. LIGHT STRIPS ON HOSE BED COVER
3. REVERSED HINGED DOOR ON COMPARTMENT LS3
4. BRUSHED STAINLESS STEEL SCUFFPLATE INSIDE EACH BODY COMPARTMENT DOORS
5. ONE FULL WIDTH/DEPTH ADJUSTABLE SHELF IN COMPARTMENTS; RS1, RS2, LS3; TWO IN RS3 & LS1
6. ONE FULL WIDTH/DEPTH ADJUSTABLE TRAY IN COMPARTMENT; LS3
7. ONE FLOOR MOUNTED SLIDE-OUT TRAY IN COMPARTMENT; LS3 & RS2
8. SWING-OUT TOOL BOARD WITH PEGBOARD PATTERN IN COMPARTMENT; LS2
9. POLY TOOL BOX IN COMPARTMENT; RS1
10. TWO VERTICAL PEGBOARD PARTITION IN COMPARTMENTS; LS1 & RS1
11. ALUMINUM PEGBOARD ON BACK WALL COMPARTMENTS; LS2 & RS1
12. ALUMINUM PEGBOARD WITH TRACKS ON THE SIDE WALLS OF COMPARTMENT; RS1
13. ONE RACK FOR (2) AIR BAGS IN COMPARTMENT; RS2
14. AIR INLET/OUTLET WITH DISCONNECT FITTING LOCATED IN DRIVER SIDE PUMP PANEL
15. PARTITIONS BETWEEN LS1/RS1 & RS1/RS1
16. PARTITION IN RS1

CUSTOMER APPROVAL			
APPROVED BY:			
DATE:			
REV	DATE	BY	CH
02SEP21	JUS	PJP	ENFORCER
25MAY21	JUS	PJP	ENFORCER
15APR21	JUS	PJP	ENFORCER
01MAR21	JUS	WKL	ENFORCER

Pierce MANUFACTURING INC.		JOB NO.	35986
TITLE	1500-D-520P, 500 GAL WATER W/ 20 GAL FOAM CELL 152" FH BODY, HYDRAULIC LADDER RACK, (2) CROSSLAYS	SCALE	1:24
FOR	LAKEPORT FIRE PROTECTION DISTRICT LAKEPORT, CALIFORNIA	DATE	
DWG NO.	35986AD	DRAWN BY	JUS
		CHECKED BY	WKL
		SHEET SIZE	D
		SHEET NO.	1 OF 1