

Pumper, PUC

BODY
Pumper, PUC, Aluminum
CHASSIS
Enforcer Chassis, PUC

CHASSIS

AXLE, FRONT, CUSTOM
19,500 Lb TAK-4 Axle
AXLE, REAR
24,000 Lb Dana Axle

ENGINE
470 HP DD13 Engine

TRANSMISSION
Allison 5th Gen, 4000 EVS P

BUMPER
16" Extended Stainless Steel

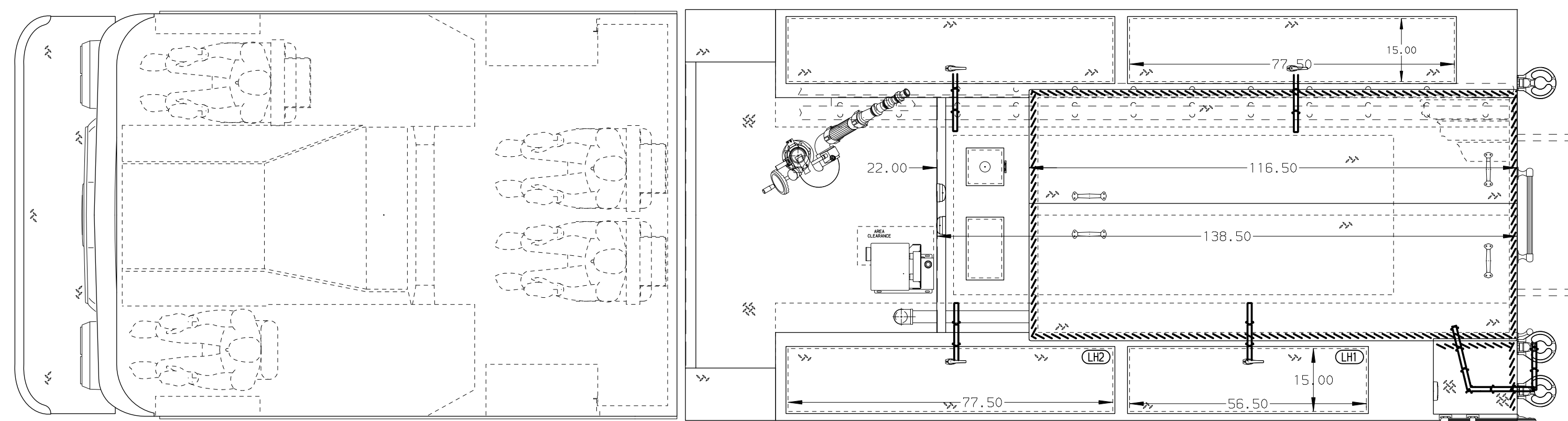
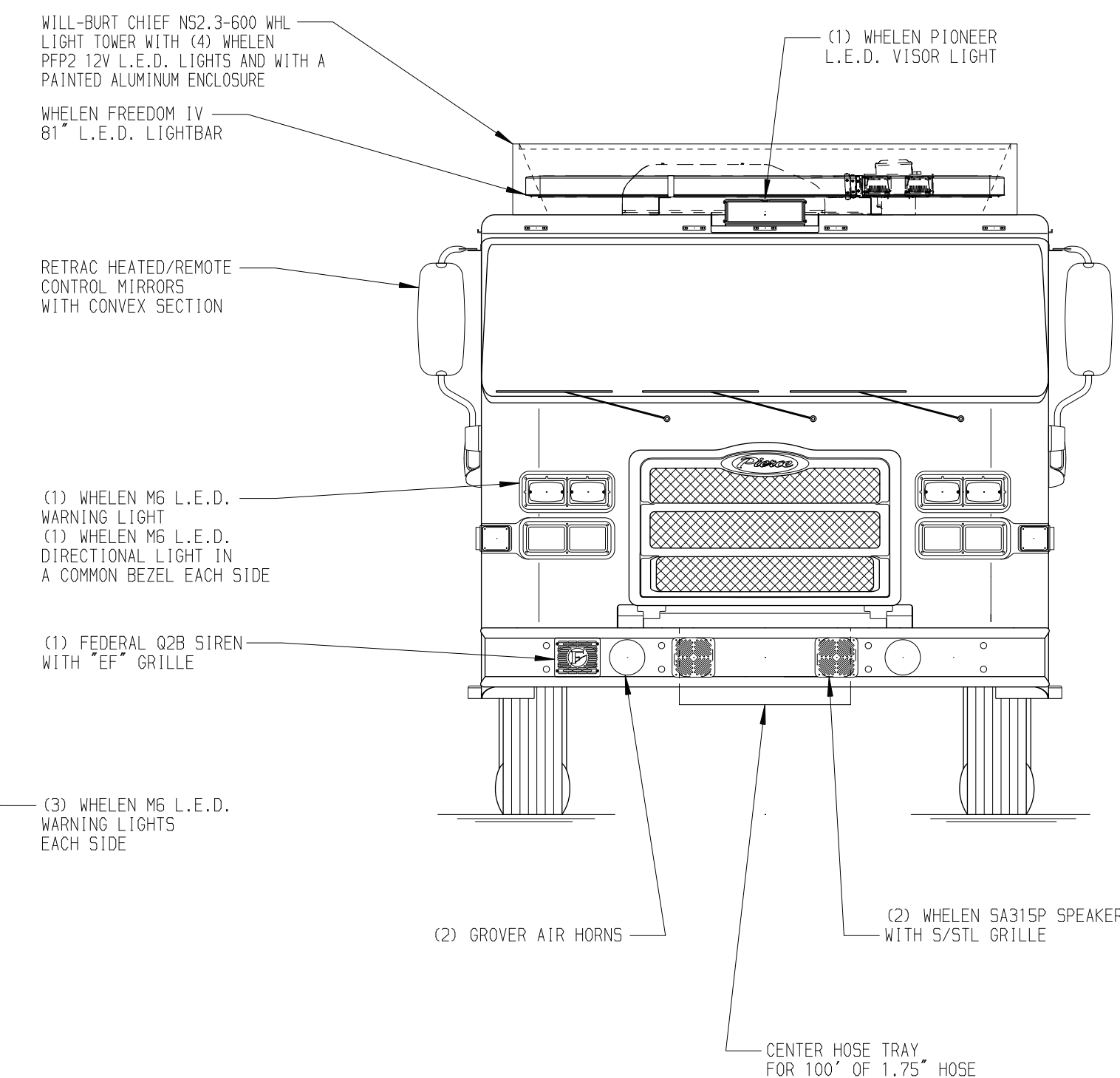
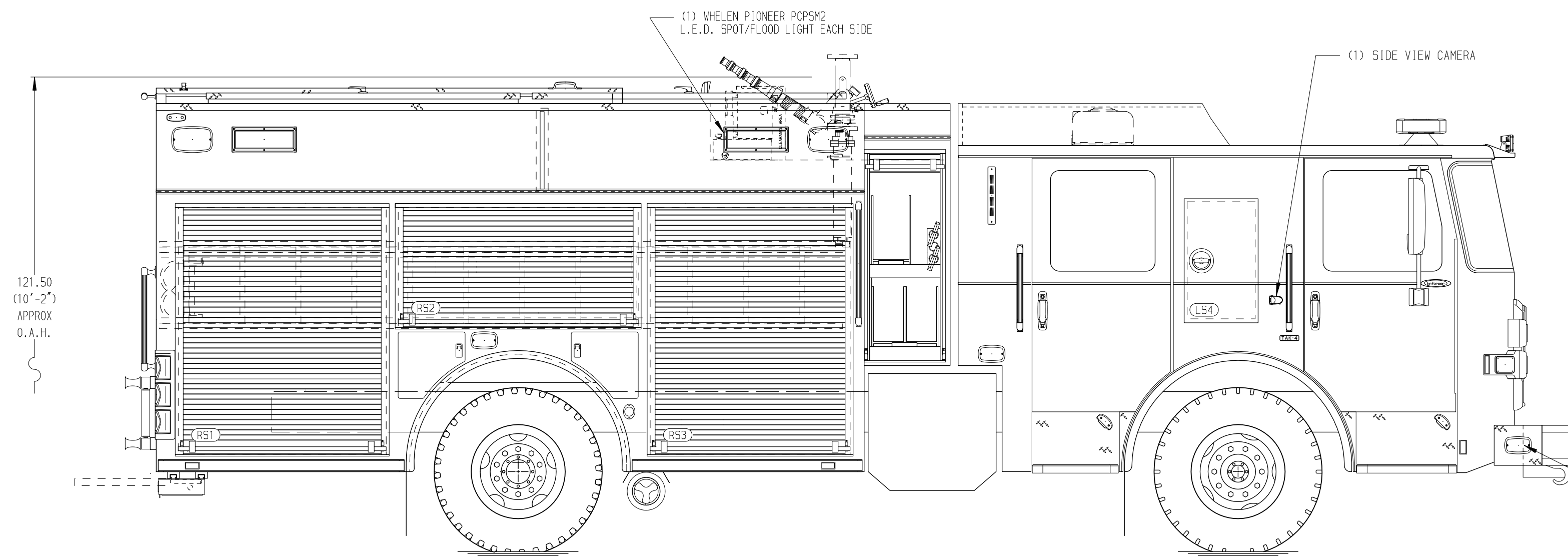
CAB
7000 Enforcer Cab, PUC

BODY

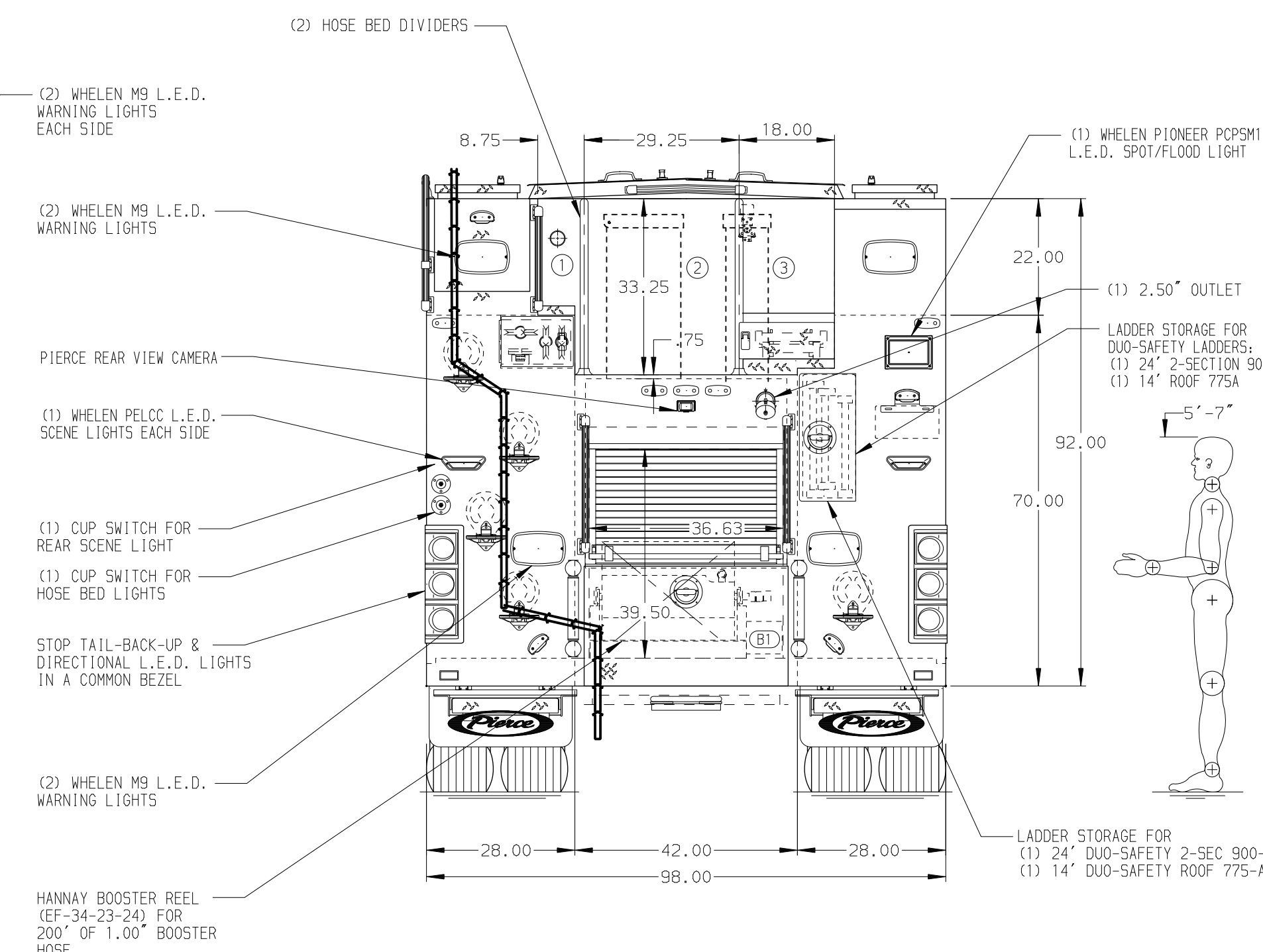
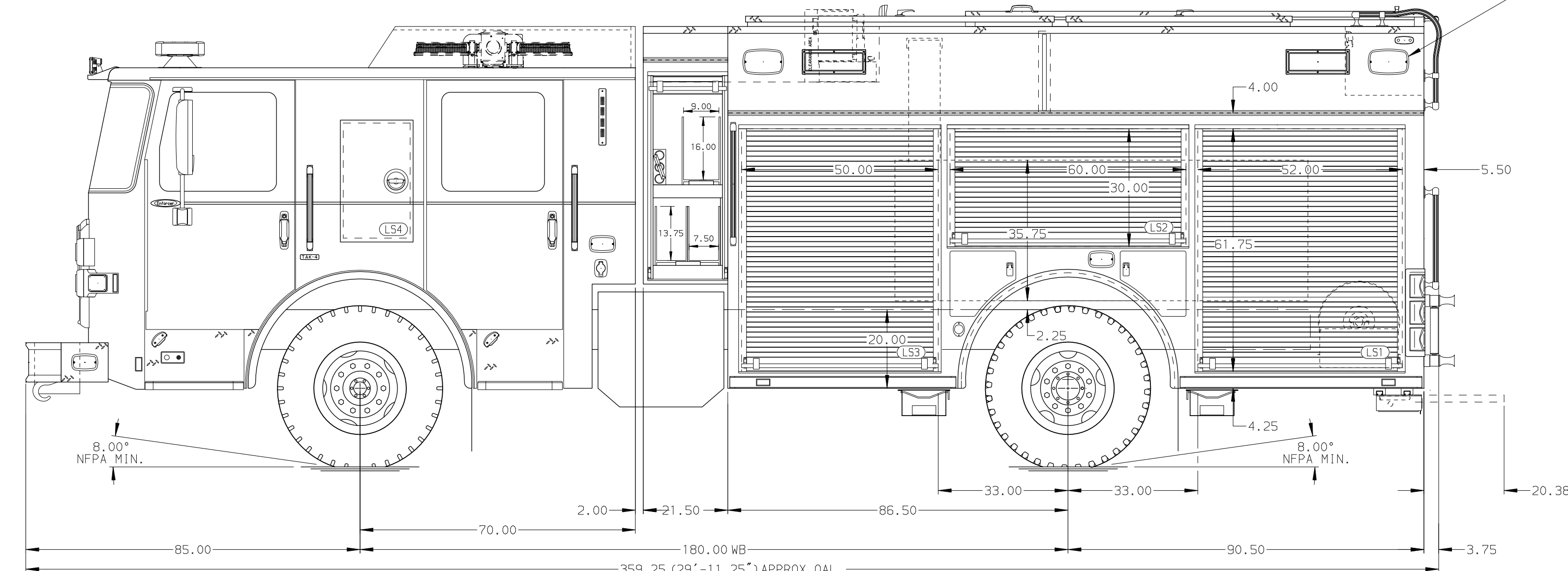
WATER TANK
500 Gallon Poly Water Tank
COMPT, PUMPER, REAR
33.50" FF RollUp Rear Compt w/Tailboard, PUC
COMPT, PUMPER, LEFT SIDE
177" RollUp Full Height & Depth Front & Rear, PUC
COMPT, PUMPER, RIGHT SIDE
177" RollUp Full Height & Depth Front & Rear, PUC

FIRE SUPPRESSION

PUMPHOUSE
Control Zone, PUC
PUMP
1500 GPM Pierce PUC
CROSSLAYS, 1.50"
(2) 1.50", Poly Trays, 200'
CROSSLAYS, 2.50"
(1) 2.50", Poly Tray, 200'
GENERATOR
Generator Not Required
Foam System
Husky 3 Single Agent Foam System
Foam Cell
20 Gallon Foam Cell, Not Reduced Water, PUC



HOSEBED CAPACITY	
BED 1	100' OF 1.75" D.J. POLY HOSE (ABOVE) 200' OF 3.00" D.J. POLY HOSE (BELOW)
BED 2	1000' OF 5.00" D.J. POLY HOSE
BED 3	700' OF 3.00" D.J. POLY HOSE



NOTE
DIMENSIONS SHOWN ARE APPROXIMATE AND ARE SUBJECT TO MINOR DEVIATIONS AS MAY OCCUR OR BE NECESSARY IN CONSTRUCTION.
MINOR DETAILS NOT SHOWN.

- ONE 1.50" OUTLET WITH 2.00" PIPING AND SWIVEL LOCATED IN CENTER BUMPER TRAY
- SHORELINE RECEPTACLE WITH KUSSMAUL SUPER AUTO-EJECT LOCATED ON DRIVER SIDE BEHIND CREW CAB STEER
- AIR INLET/OUTLET WITH DISCONNECT COUPLING IN THE DRIVER SIDE STEPWELL
- BATTERY CHARGER LOCATED IN COMPARTMENT PER SHOP ORDER
- BATTERY CHARGE INDICATOR LOCATED ON THE DRIVER SIDE SEAT RISER
- FIVE ADJUSTABLE SHELVES IN COMPARTMENTS PER SHOP ORDER
- THREE FLOOR MOUNTED SLIDE-OUT TRAYS IN COMPARTMENT PER SHOP ORDER
- THREE SLIDE-OUT TRAYS WITH 2" SIDES LOCATED IN COMPARTMENT PER SHOP ORDER
- ONE SLIDE-OUT TRAY WITH SPECIAL HEIGHT SIDES LOCATED IN COMPARTMENT PER SHOP ORDER
- SWING-OUT TOOLBOARD LOCATED IN COMPARTMENT PER SHOP ORDER

REV	DATE	BY	CH	ENFORCER
1	11JUN21	MMF	CHR	PIERCE
2	22APR21	MMF	CHR	PIERCE

		JOB NO.	35974
		SCALE	DATE
TITLE	Pierce Pumper Approval Drawing	DRAWN BY	MMF
FOR	Highland Park	CHECKED BY	COL
DWG NO.	35974AD	SHEET SIZE	SHEET NO.
		D	1 OF 1