

RIGHT SIDE COMPARTMENTS CONTAIN THE FOLLOWING:

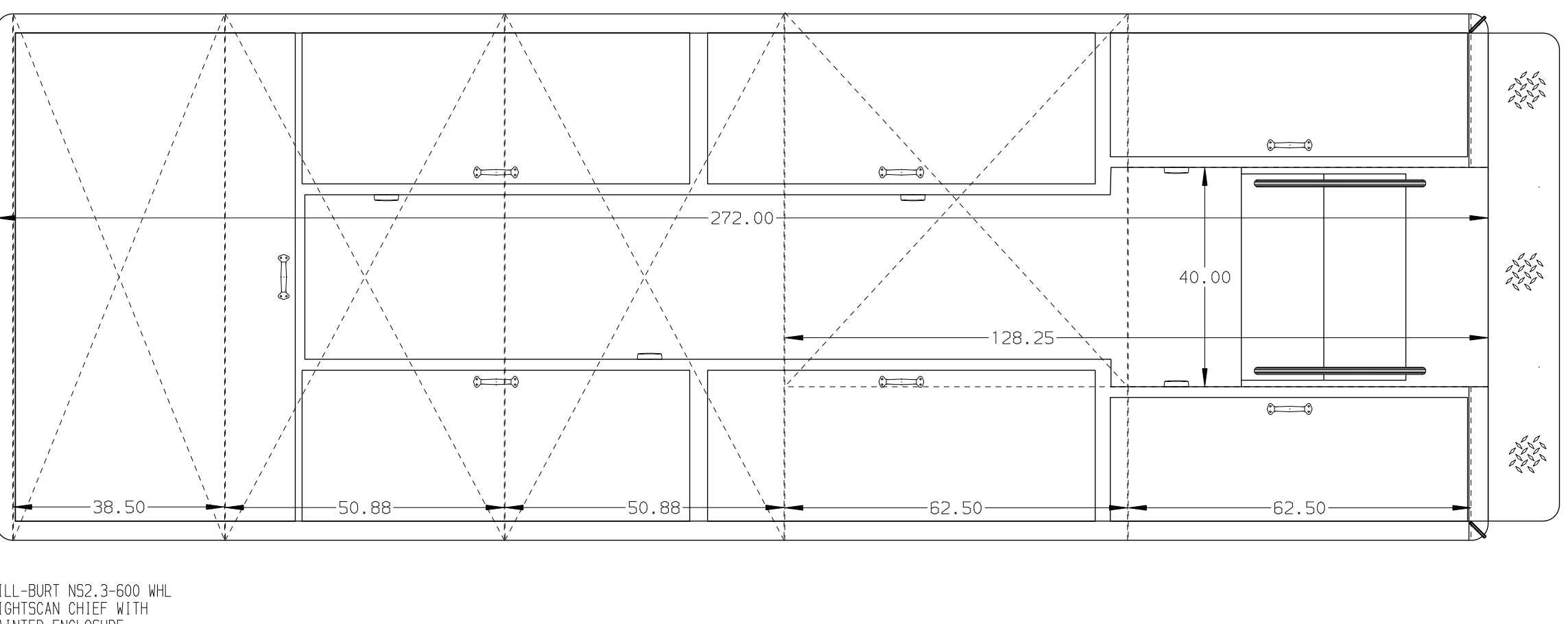
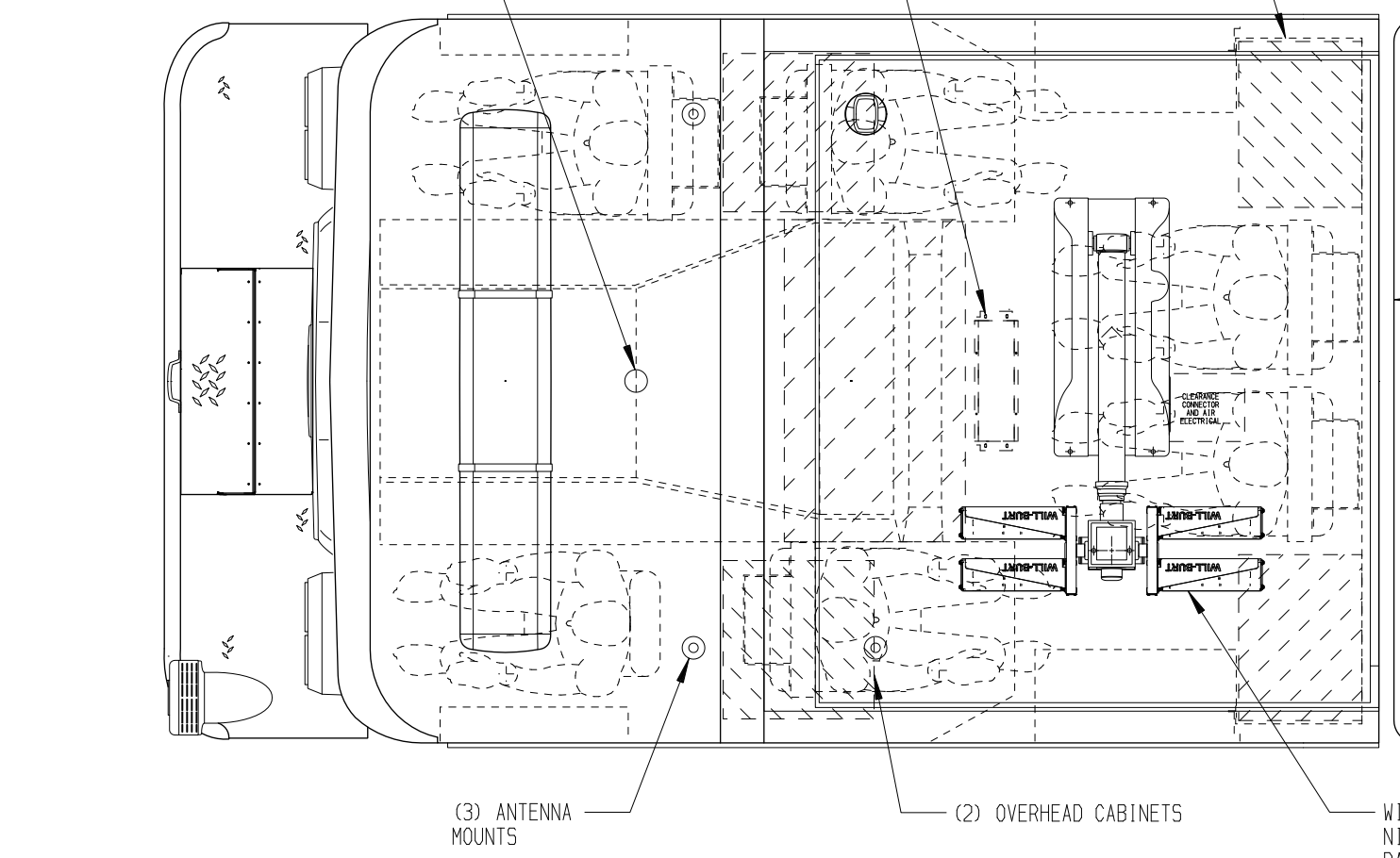
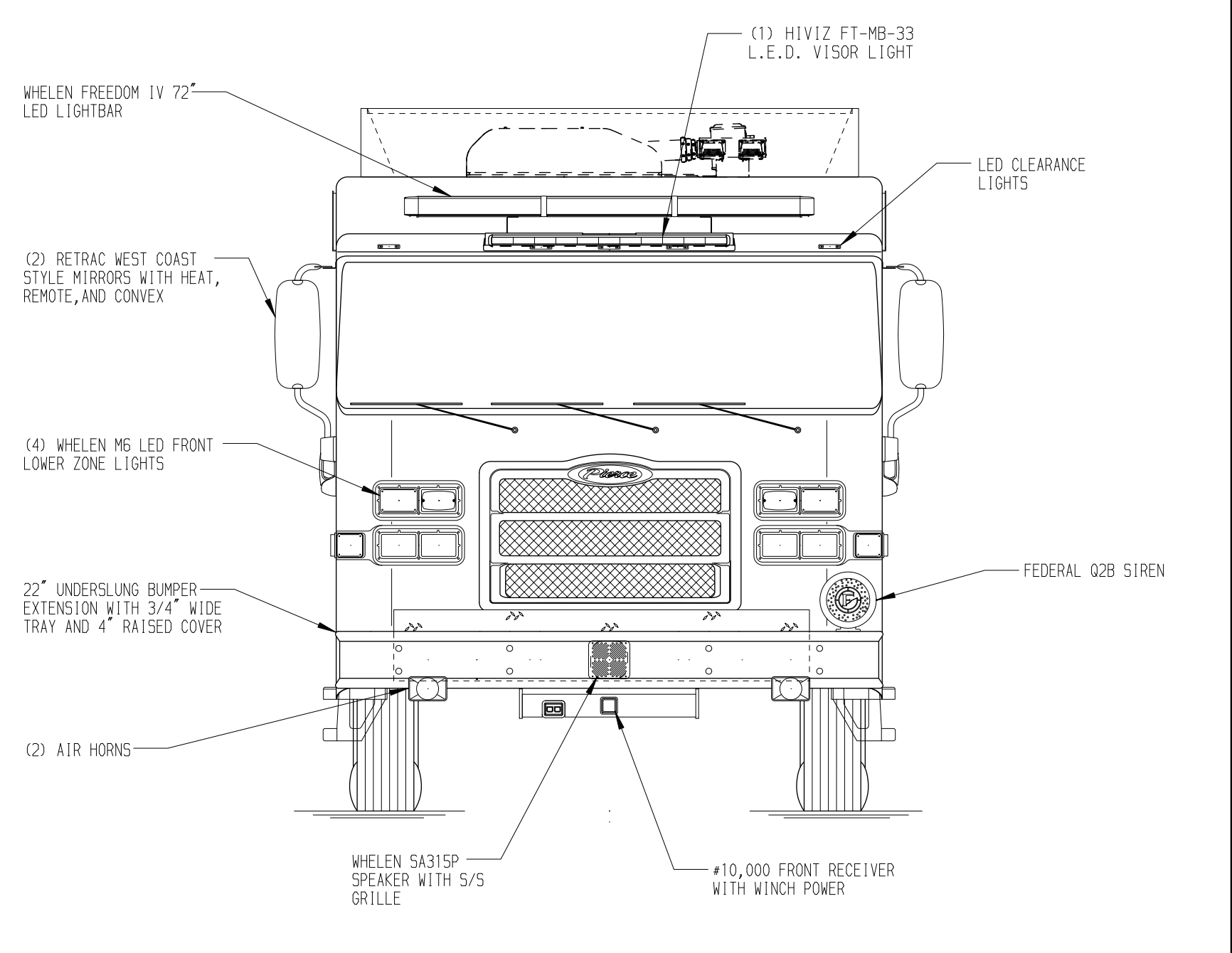
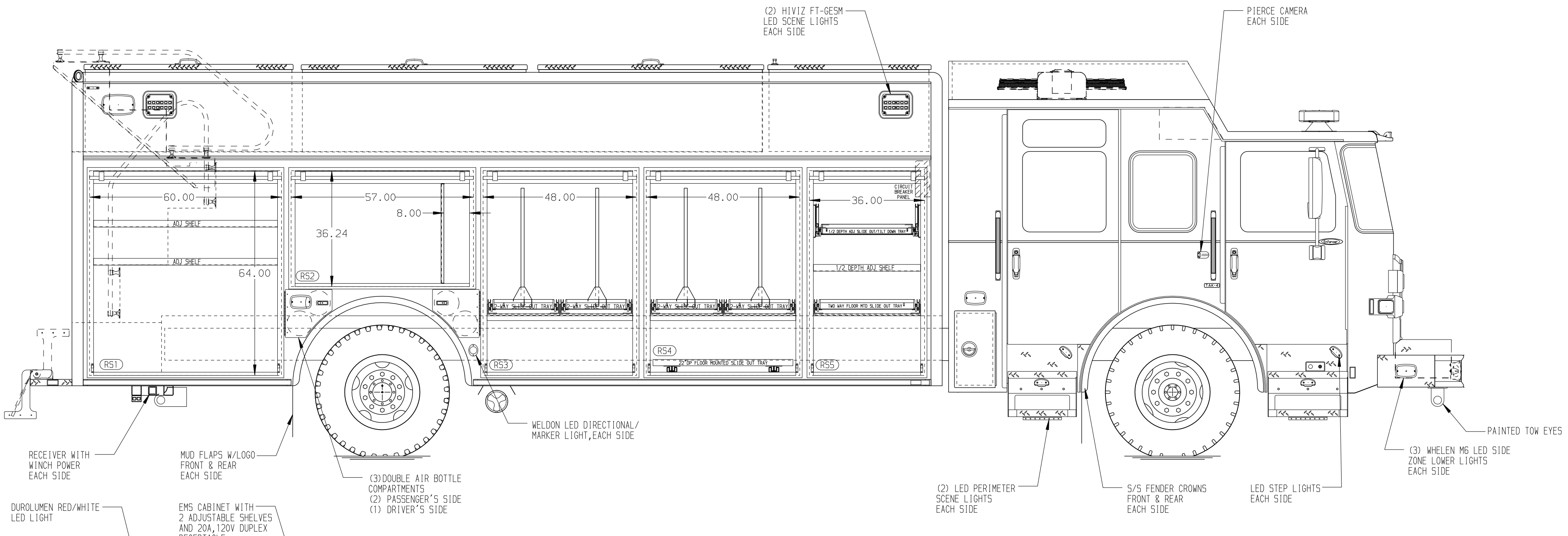
COMPARTMENT R51 CONTAINS:
- (2) STD DEPTH ADJ SHELVES

COMPARTMENT R52 CONTAINS:
- (1) 3/4 DEPTH VERTICAL DIVIDER

COMPARTMENT R53 CONTAINS:
- (1) HORIZONTAL FLOOR EXTENSION
- (2) 2-WAY FLOOR MOUNTED TRAYS WITH TOOLBOARDS

COMPARTMENT R54 CONTAINS:
- (1) HORIZONTAL FLOOR EXTENSION
- (2) 2-WAY FLOOR MOUNTED TRAYS WITH TOOLBOARDS
- (1) STD DEPTH SLIDE OUT FLOOR MTD TRAY

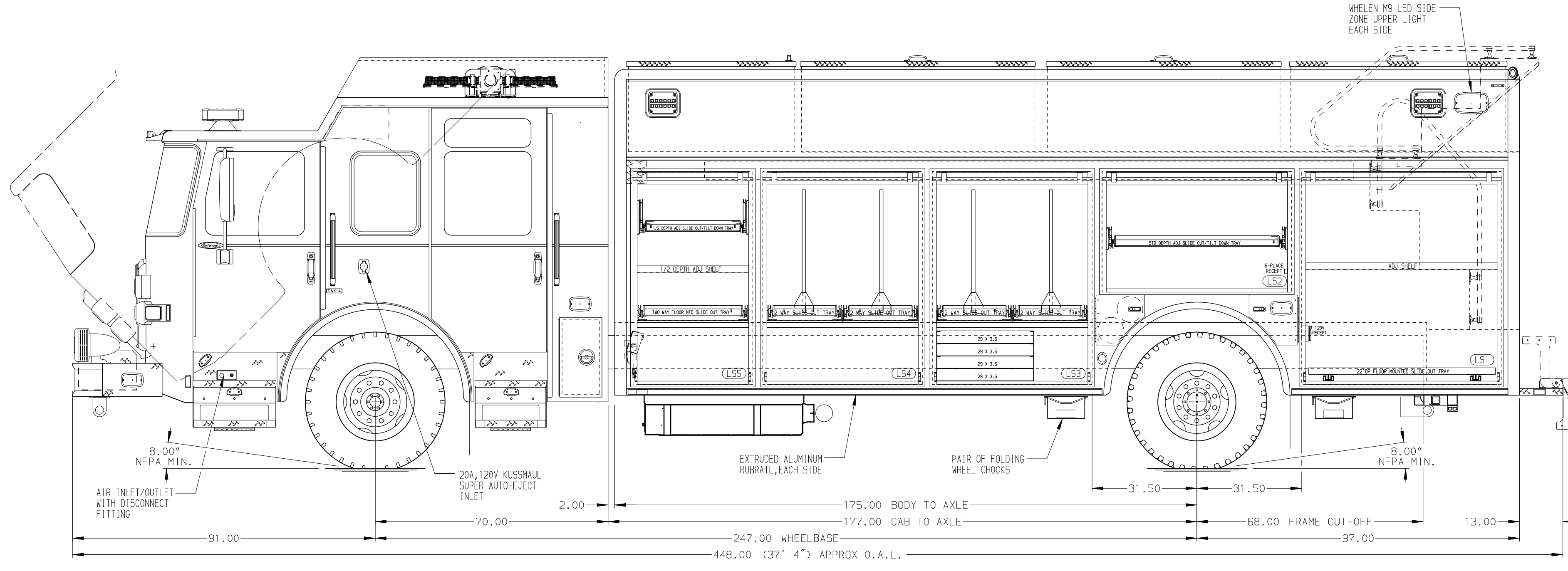
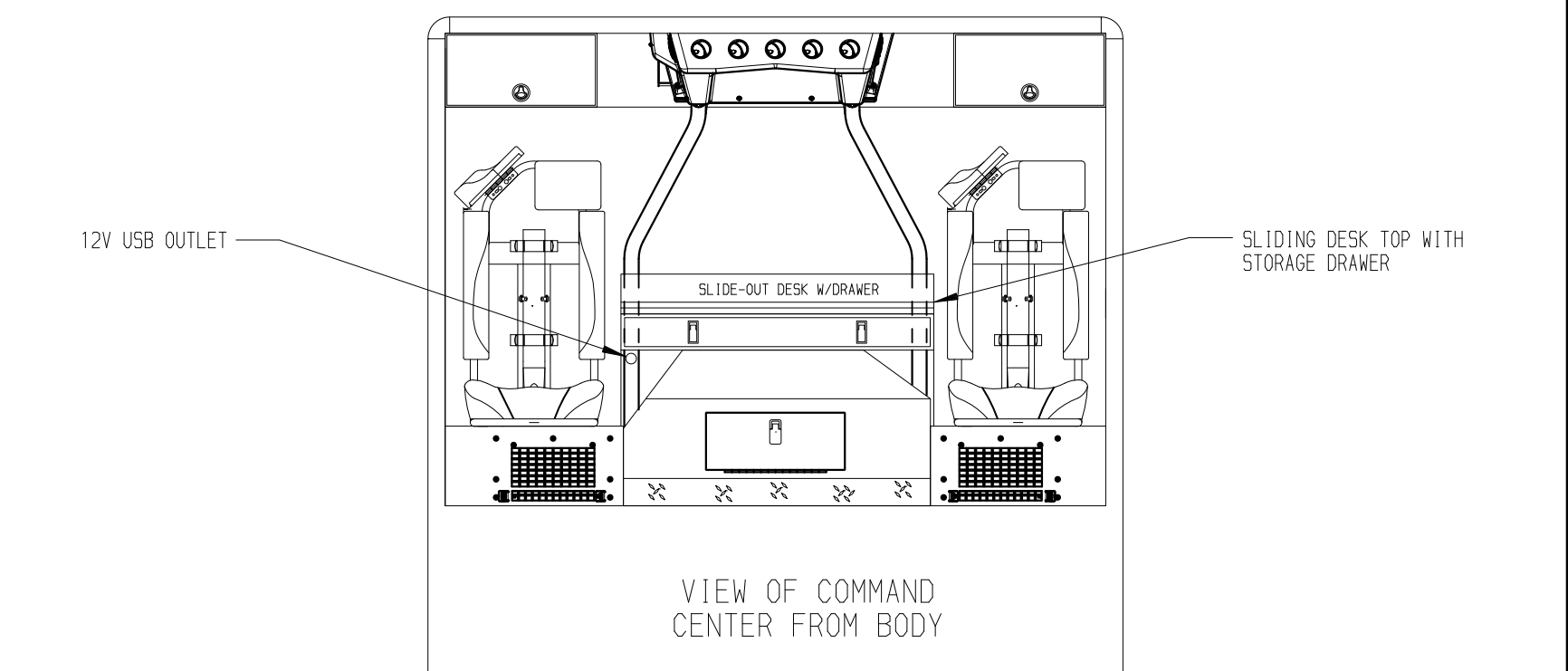
COMPARTMENT R55 CONTAINS:
- (1) 2-WAY FLOOR MTD TRAY
- (1) 1/2 DEPTH ADJ SHELF
- (1) 1/2 DEPTH ADJ SLIDE OUT/TILT TRAY
- (1) HORIZONTAL FLOOR EXTENSION
- (1) XANTREX PROSINE 906-1902 INVERTER
- (1) CIRCUIT BREAKER PANEL



REAR COMPARTMENT CONTAINS THE FOLLOWING:

COMPARTMENT B1 CONTAINS:
-

COMPARTMENT B2 CONTAINS:
- (1) TROUGH FOR CRIBBING



LEFT SIDE COMPARTMENTS CONTAIN THE FOLLOWING:

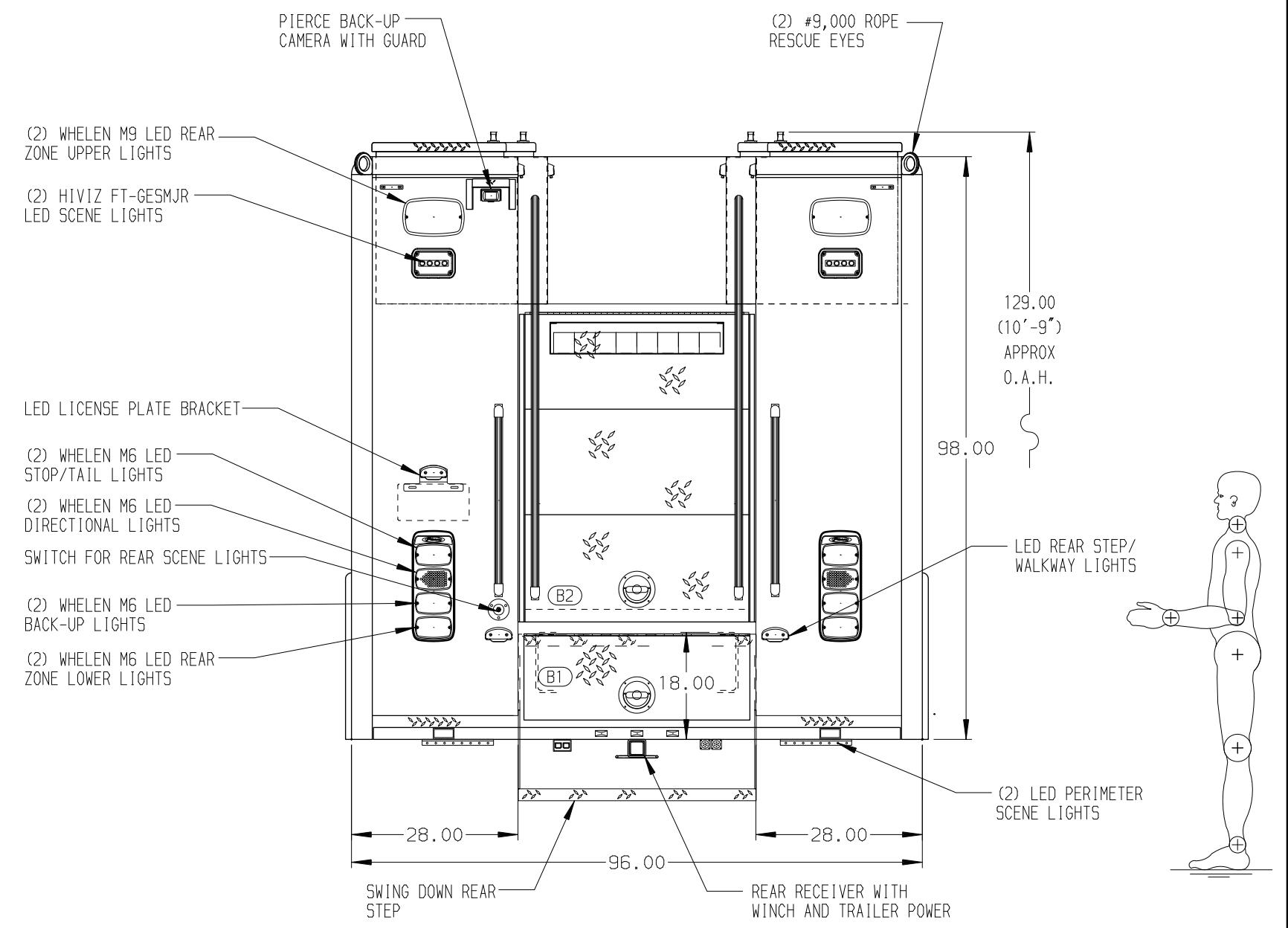
COMPARTMENT L51 CONTAINS:
- (1) STD DEPTH FLOOR MTD SLIDE OUT TRAY
- (1) STD DEPTH ADJ SHELF
- (1) 20A, 120V DUPLEX RECEPTACLE

COMPARTMENT L52 CONTAINS:
- (1) STD DEPTH ADJ SLIDE OUT/TILT TRAY
- (1) 15A, 120V 6-PLACE RECEPTACLE
- (1) VERTICAL REAR WALL DIVIDER

COMPARTMENT L53 CONTAINS:
- (1) HORIZONTAL FLOOR EXTENSION
- (2) 2-WAY FLOOR MOUNTED TRAYS WITH TOOLBOARDS
- RACK FOR FOUR AIR BAGS

COMPARTMENT L54 CONTAINS:
- (2) 2-WAY FLOOR MOUNTED TRAYS WITH TOOLBOARDS
- (1) HORIZONTAL FLOOR EXTENSION

COMPARTMENT L55 CONTAINS:
- (1) 2-WAY FLOOR MOUNTED TRAY
- (1) 1/2 DEPTH ADJ SHELF
- (1) 1/2 DEPTH ADJ SLIDE OUT/TILT TRAY
- (1) HORIZONTAL FLOOR EXTENSION



NOTE
DIMENSIONS SHOWN ARE APPROXIMATE AND ARE SUBJECT TO MINOR DEVIATIONS AS MAY OCCUR OR BE NECESSARY IN CONSTRUCTION. MINOR DETAILS NOT SHOWN.

NOTES:

- WARN #9,000 PORTABLE WINCH
- POLISHED 5/5 SCUFFPLATES ON CAB AND CREW CAB DOOR JAMBS
- FLOOR IN CAB AND CREW CAB TO BE PADDED RUBBER
- 5/5 GUARDS ON ALL BODY ROLL-UP DOORS
- AMOR LED COMPARTMENT LIGHTS IN ALL BODY AND HATCH COMPARTMENTS
- BATTERY CHARGE INDICATOR LOCATED IN DRIVER SEAT RISER
- (2) 15/20A, 120V DUPLEXES LOCATED AT COMMAND DESK

(SIDE ROLL AND FRONTAL IMPACT PROTECTION)

CLEAR DOOR WIDTH KEY		CHASSIS DATA
AMOR ROLL UP DOORS:	-2 1/4"	16AUG21 DHE AZU
GORTITE ROLL UP DOORS:	-2 1/2"	18JUN21 DHE AZU
PIERCE DOUBLE LIP DOORS:	-4 1/4"	22APR21 DHE AZU
PIERCE LIFT-UP LIP DOORS:	-1 1/2"	
(EX: 60" F-F - 2 1/4" = 57 3/4" CLEAR)		
(F-F) = FRAME TO FRAME		

		JOB NO.	35969
		SCALE	DATE
TITLE	HEAVY DUTY RESCUE NON-WALKIN	DRAWN BY	DHE 19APR21
FOR	CITY OF CEDAR HILL BID #665	CHECKED BY	AZU 20APR21
DWG NO.	35969AD	SHEET SIZE	SHEET NO.
			D 1 OF 1