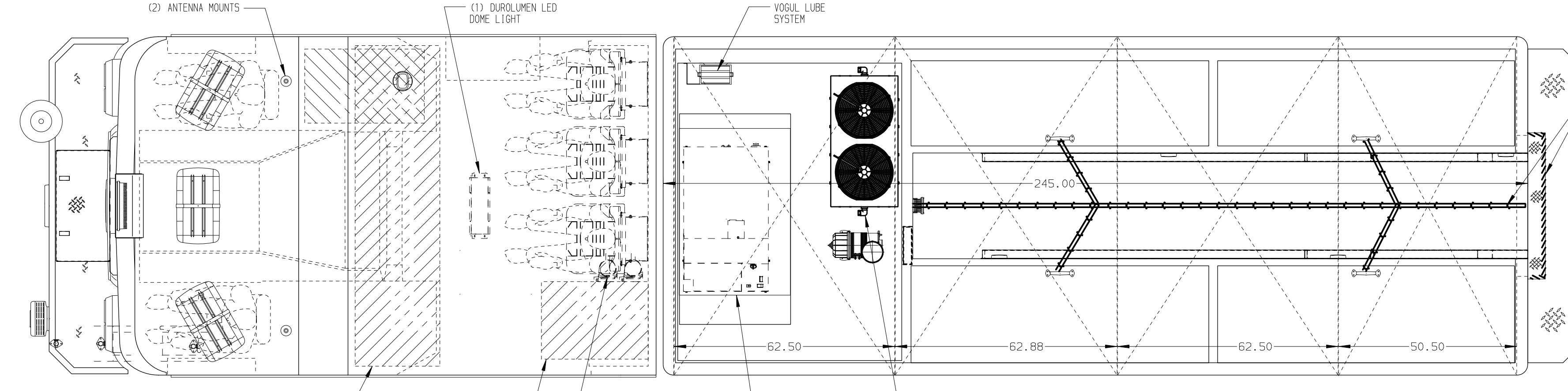
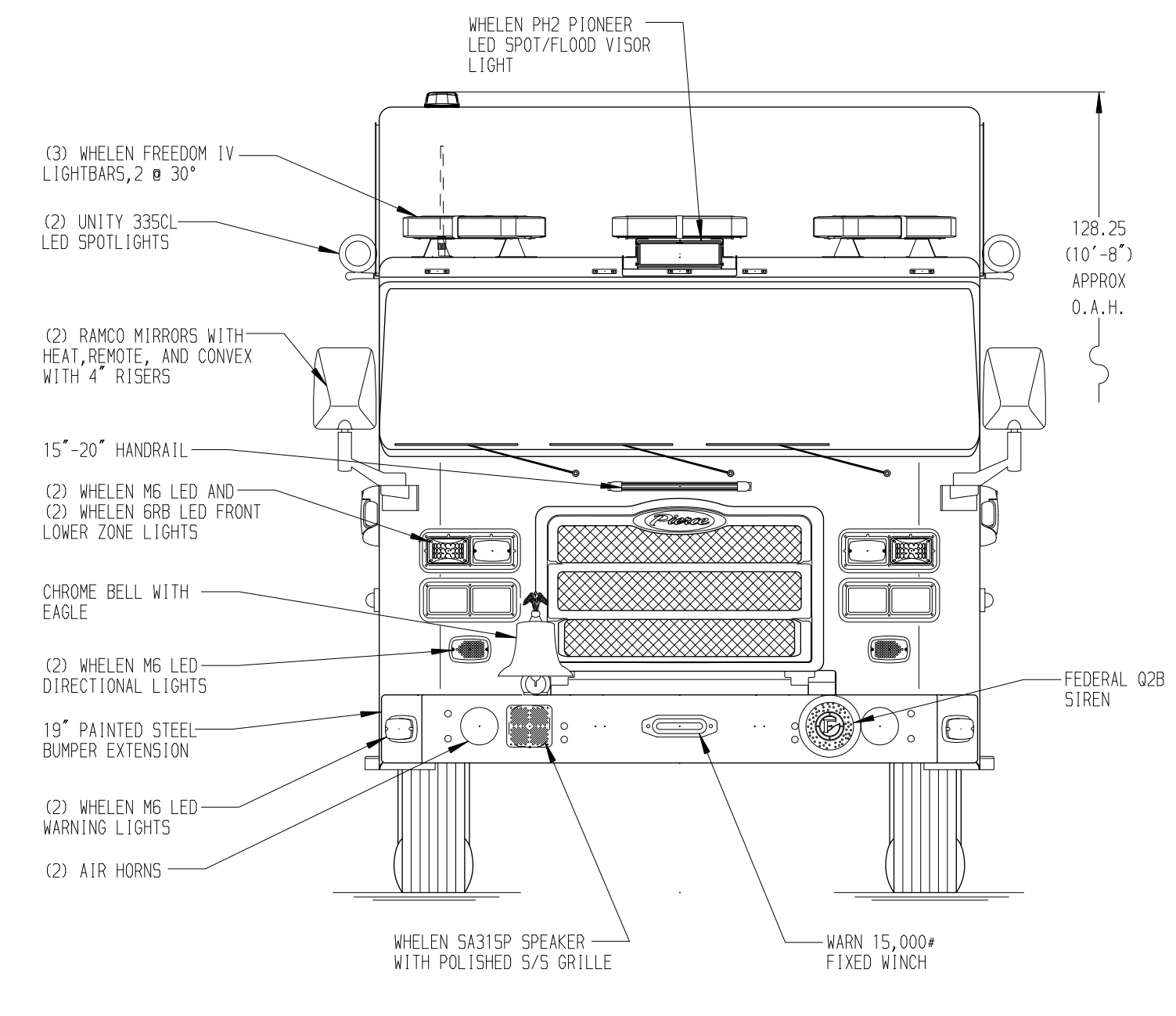
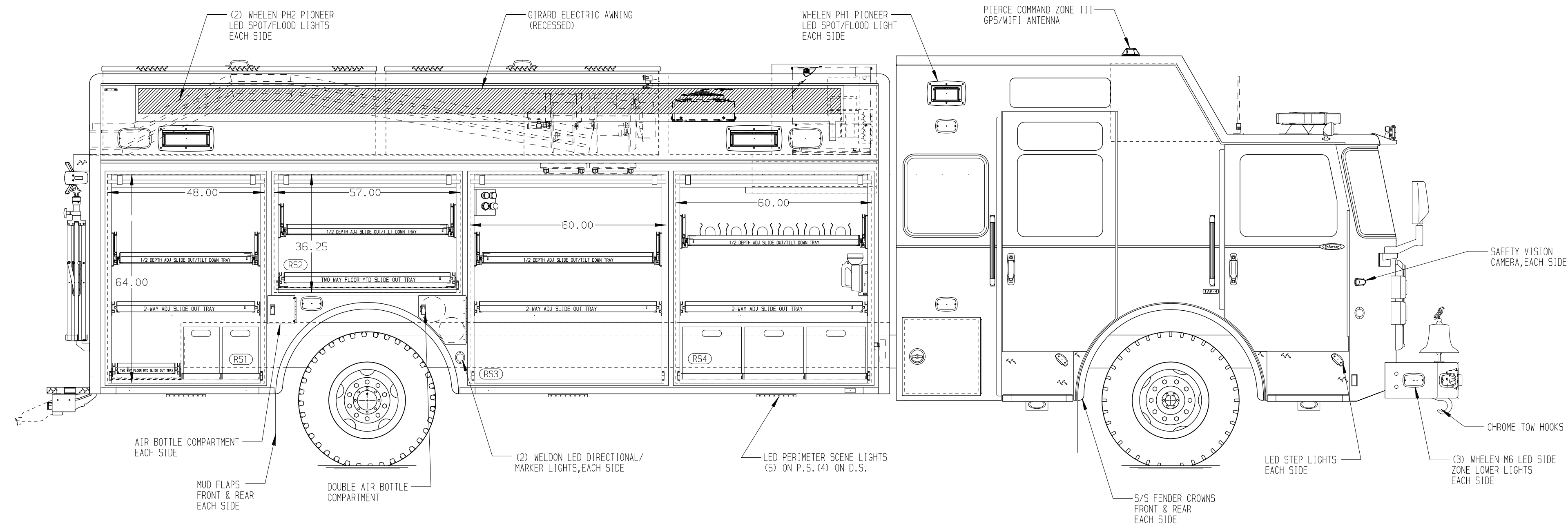
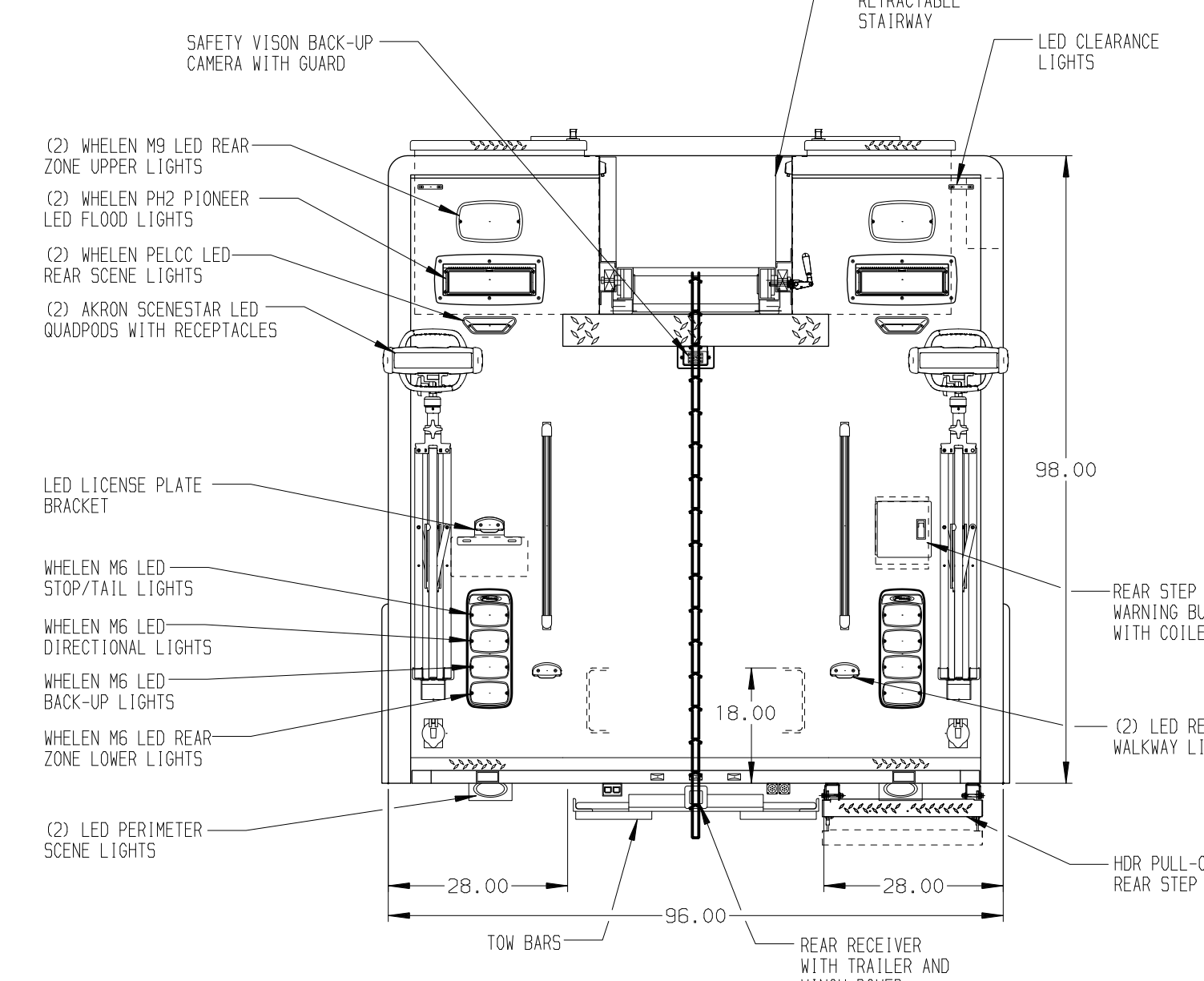
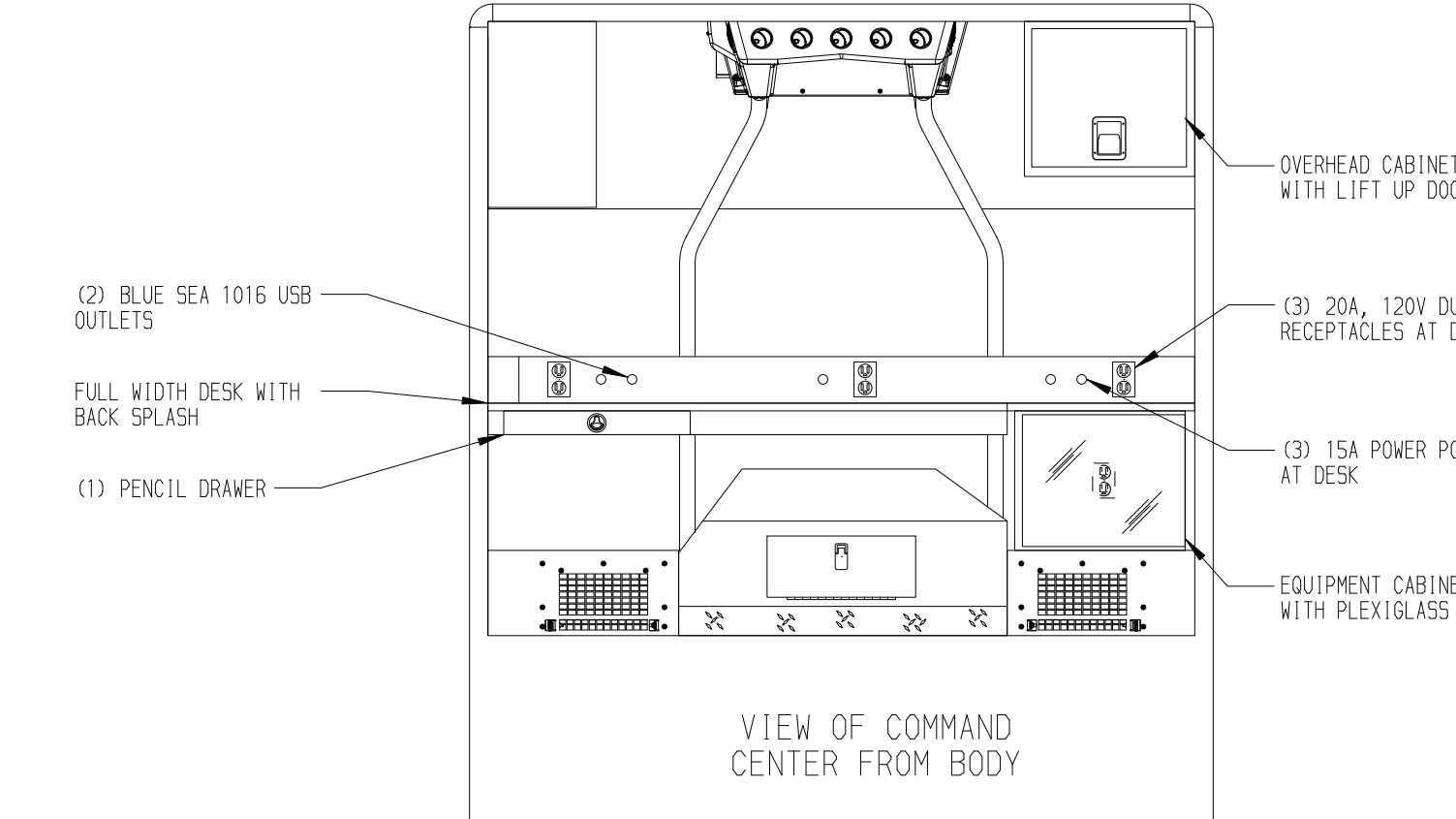
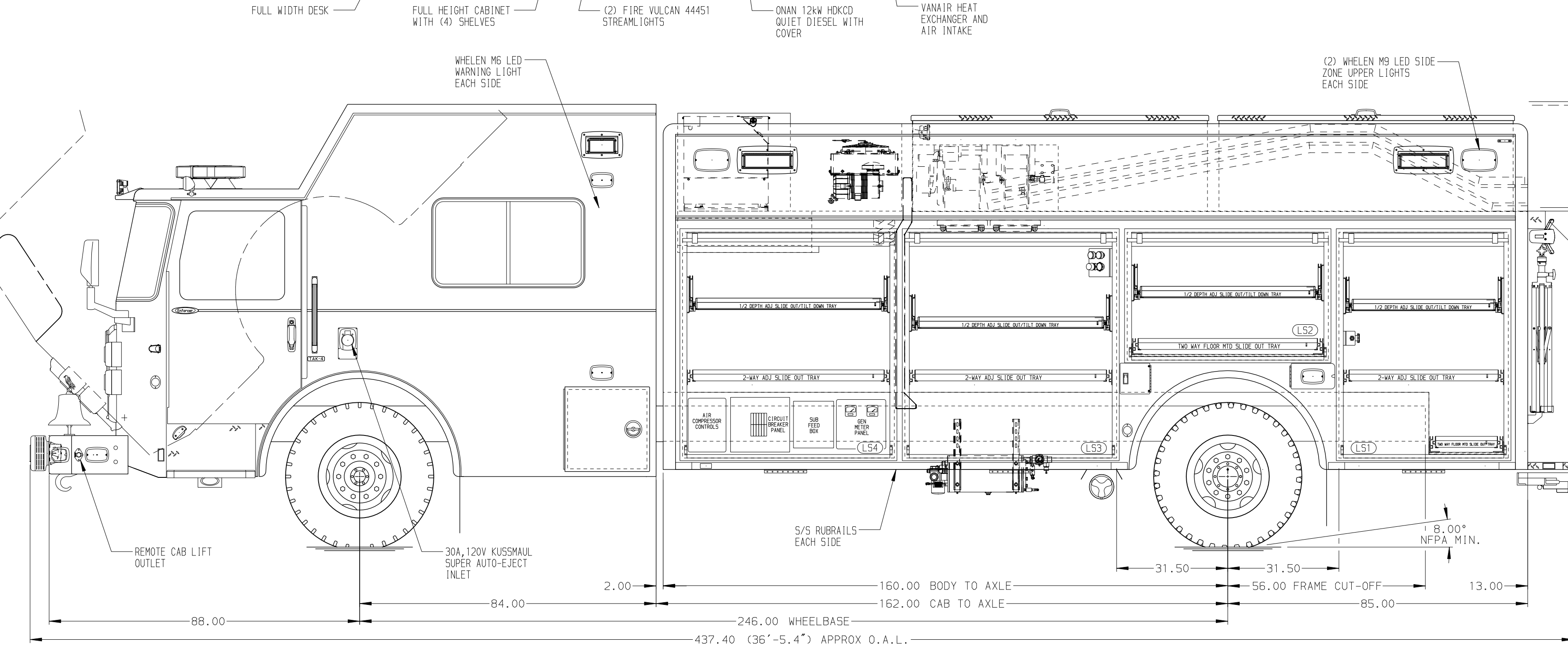


**PASSENGER'S SIDE COMPARTMENTS CONTAIN THE FOLLOWING:**

- COMPARTMENT P1 CONTAINS:**  
 - (1) 1/2 DEPTH ADJ SLIDE OUT/TILT TRAY  
 - (1) TWO WAY ADJ SLIDE OUT TRAY  
 - (1) 2-WAY FLOOR MOUNTED SLIDE OUT TRAY  
 - (2) POLY TOOL BOXES
- COMPARTMENT P2 CONTAINS:**  
 - (1) 2-WAY FLOOR MOUNTED SLIDE OUT TRAY  
 - (1) 1/2 DEPTH ADJ SLIDE OUT/TILT TRAY
- COMPARTMENT P3 CONTAINS:**  
 - (1) 2-WAY ADJ SLIDE OUT TRAY  
 - (1) 1/2 DEPTH ADJ SLIDE OUT/TILT TRAY  
 - (1) ELECTRIC CORD REEL WITH 200' OF 12/3 YELLOW CORD  
 - (1) TOOL AIR REEL W/150' OF HOSE
- COMPARTMENT P4 CONTAINS:**  
 - (1) 2-WAY ADJ SLIDE OUT TRAY  
 - (1) 1/2 DEPTH ADJ SLIDE OUT/TILT TRAY  
 - (1) CAB LIFT CONTROLLER  
 - (3) POLY TOOL BOXES  
 - (2) FIRE VULCAN 44451 STREAMLIGHTS  
 - (6) ZICO AIR BOTTLE BRACKETS



- DRIVER'S SIDE COMPARTMENTS CONTAIN THE FOLLOWING:**
- COMPARTMENT D1 CONTAINS:**  
 - (1) TWO WAY FLOOR MOUNTED TRAY  
 - (1) 2-WAY ADJ SLIDE OUT TRAY  
 - (1) 1/2 DEPTH ADJ SLIDE OUT/TILT TRAY  
 - (1) AIR OUTLET FROM TOOL COMPRESSOR
- COMPARTMENT D2 CONTAINS:**  
 - (1) 1/2 DEPTH ADJ SLIDE OUT/TILT TRAY  
 - (1) 2-WAY FLOOR MOUNTED SLIDE OUT TRAY
- COMPARTMENT D3 CONTAINS:**  
 - (1) 1/2 DEPTH ADJ SLIDE OUT/TILT TRAY  
 - (1) ELECTRIC CORD REEL WITH 200' OF 12/3 YELLOW CORD  
 - (1) TOOL AIR REEL W/150' OF HOSE  
 - (1) 2-WAY ADJ SLIDE OUT TRAY
- COMPARTMENT D4 CONTAINS:**  
 - (1) KUSSMAUL 1200 BATTERY CHARGER  
 - (1) 1/2 DEPTH ADJ SLIDE OUT/TILT TRAY  
 - (1) 2-WAY ADJ SLIDE OUT TRAY



**NOTE**  
 DIMENSIONS SHOWN ARE APPROXIMATE AND ARE SUBJECT TO MINOR DEVIATIONS AS MAY OCCUR OR BE NECESSARY IN CONSTRUCTION. MINOR DETAILS NOT SHOWN.

- NOTES:**
- POLISHED S/S SCUFFPLATES ON CAB AND CREW CAB DOOR JAMBS
  - ALUMINUM TREADPLATE SCUFFPLATE ON REAR OF ENGINE TUNNEL
  - ALUMINUM TREADPLATE SCUFFPLATES ON TOP AND EDGE OF REAR FACING SEAT RISERS
  - FLOOR IN CAB AND CREW CAB TO BE PADDED RUBBER
  - FIRECOM S1000 INTERCOM SYSTEM
  - BATTERY CHARGE INDICATOR LOCATED ON DRIVER'S SEAT WITH BRACKET
  - LED STRIP LIGHTS IN EACH BODY AND HATCH COMPARTMENTS
  - S/S GUARDS ON ALL BODY ROLL-UP DOORS
  - (1) 15A, 120V 6-PLACE RECEPTACLE IN PASSENGERS SIDE CABINET UNDER DESK
  - POLISHED S/S SCUFFPLATES ON BOTTOM DOOR FRAMES OF BODY
  - TURTLE TILE ON ALL COMPARTMENT TRAYS, HATCH COMPARTMENTS AND FLOOR IN D4

**FRONTAL IMPACT PROTECTION**  
 MAXIMUM O.A.H. 130.00"

CLEAR DOOR WIDTH KEY		CHASSIS DATA	
AMOR ROLL UP DOORS:	-1 7/8"	07JUL21	DHE AZU
CURTLE ROLL UP DOORS:	-2 3/4"	14MAY21	DHE AZU
PIERCE DOUBLE LAP DOORS:	-4 1/4"	06APR21	DHE AZU
PIERCE LIFT-UP LAP DOORS:	-1 1/2"		
(EX: 60" F-F - 1 7/8" = 58 1/8" CLEAR)		REV	DATE BY CH
			EN7024

<b>Pierce MANUFACTURING INC.</b>		JOB NO.	35960
		SCALE	DATE
		1:24	
TITLE		HEAVY DUTY RESCUE NON-WALKIN	DRAWN BY
FOR		SALT LAKE CITY CORPORATION	DHE
		SALT LAKE CITY, UT	24MAR21
		CLAYTON BERG	CHECKED BY
			AZI
DWG NO.		35960AD	25MAR21
			SHEET SIZE
			SHEET NO.
			1 OF 1