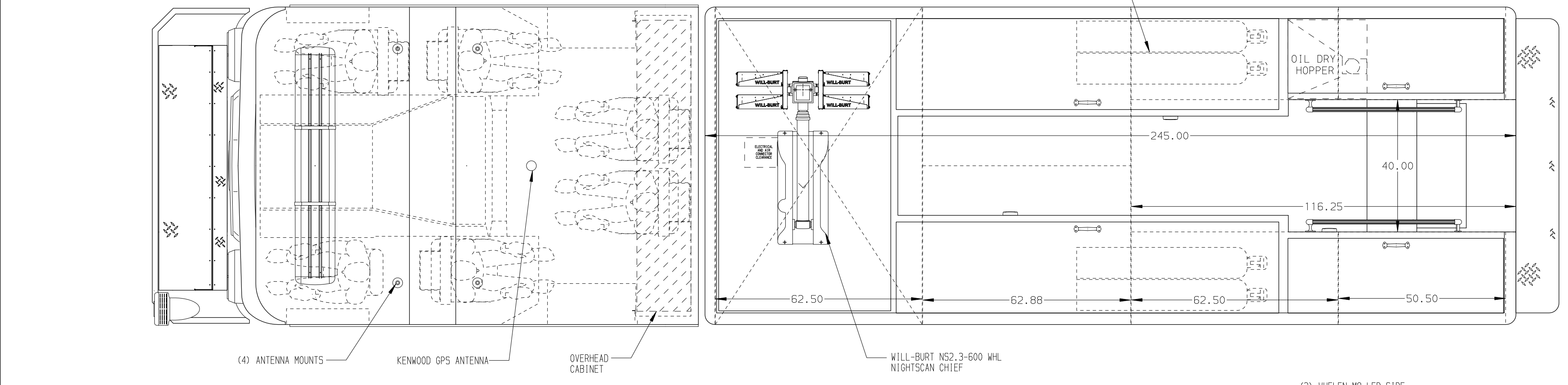
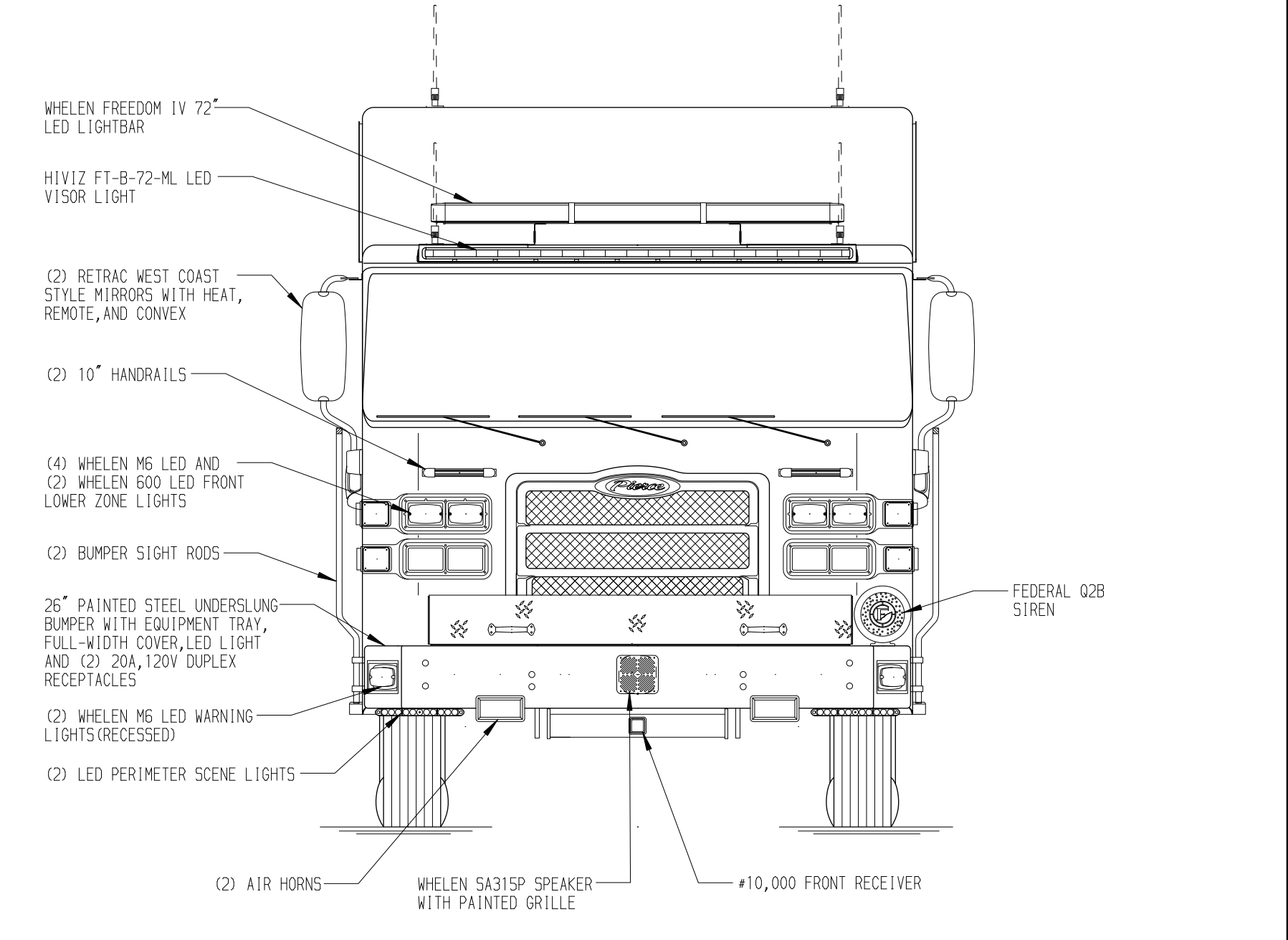
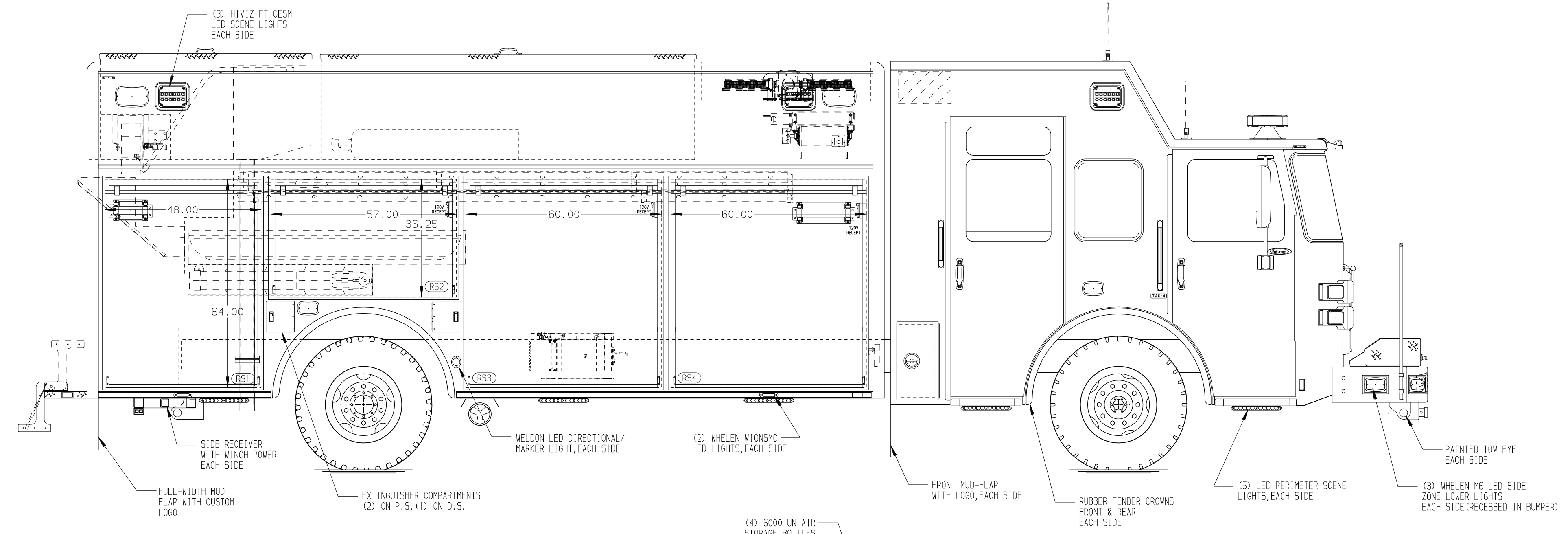
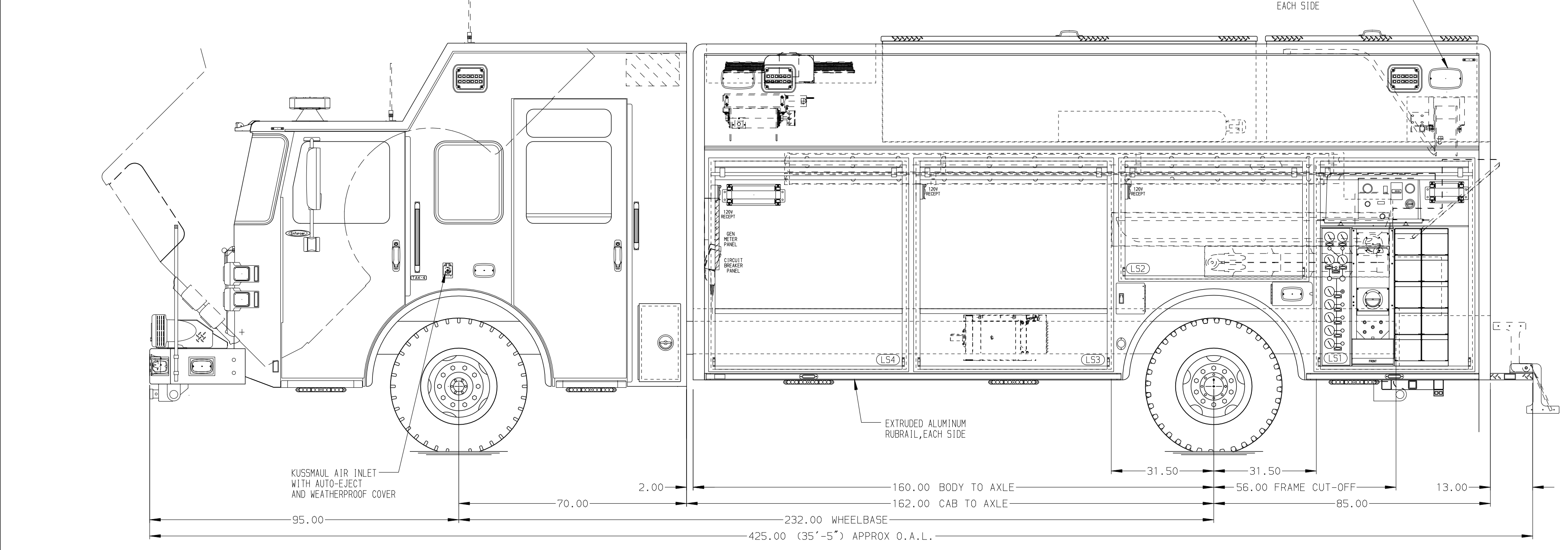


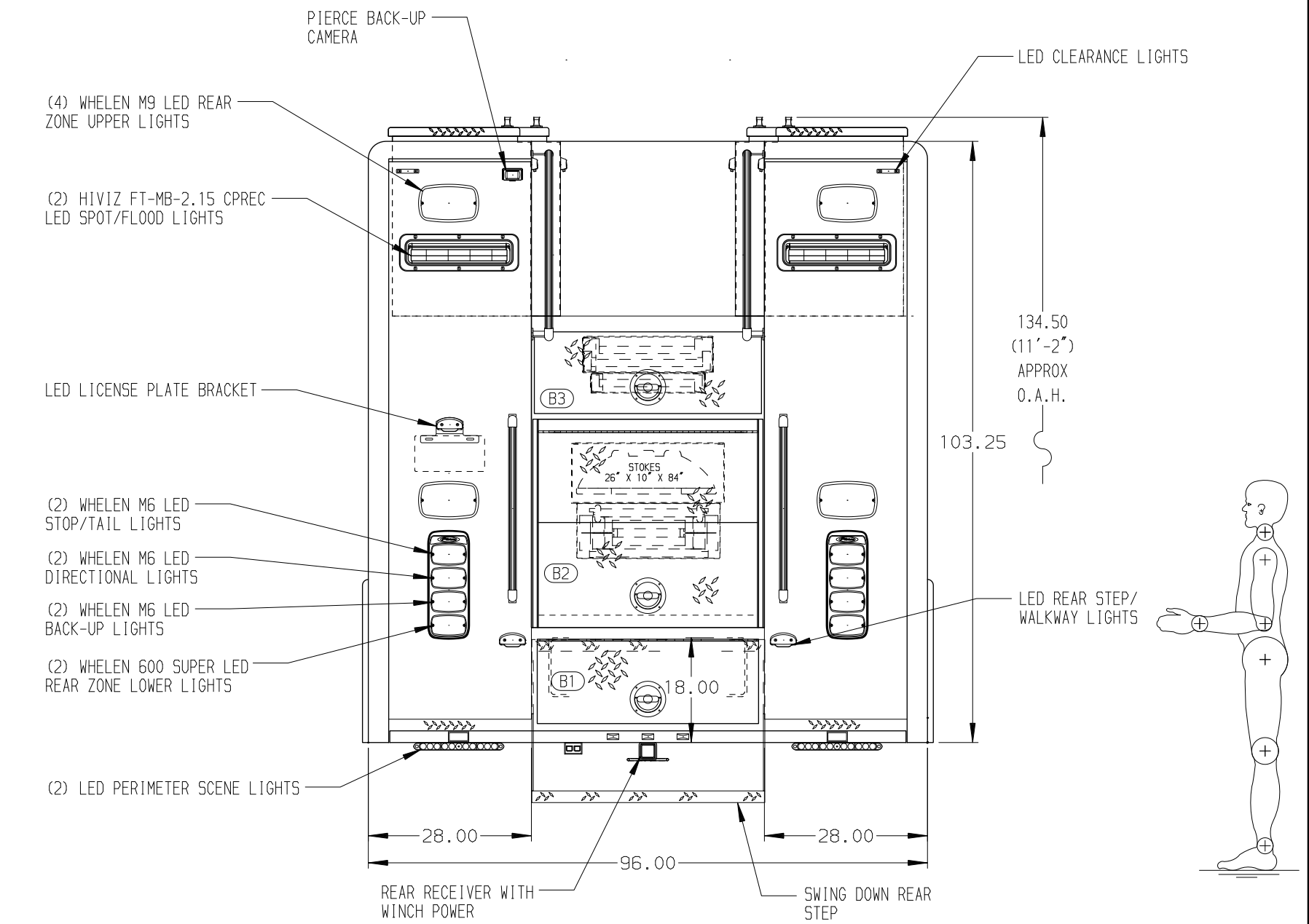
- RIGHT SIDE COMPARTMENTS CONTAIN THE FOLLOWING:**
- COMPARTMENT R51 CONTAINS:
 - (1) OIL DRY HOPPER
 - (2) 6000 UN AIR STORAGE BOTTLES
 - (1) TOOL AIR REEL WITH 150' OF HOSE
- COMPARTMENT R52 CONTAINS:
 - (1) 15/20A, 120V DUPLEX RECEPTACLE
- COMPARTMENT R53 CONTAINS:
 - (1) HORIZONTAL FLOOR EXTENSION
 - (1) 15/20A, 120V DUPLEX RECEPTACLE
- COMPARTMENT R54 CONTAINS:
 - (1) CAB LIFT CONTROLLER
 - (1) HORIZONTAL FLOOR EXTENSION
 - (1) LOW PROFILE ELECTRIC CORD REEL WITH 100' OF 10/3 BLACK CORD
 - (1) 15/20A, 120V DUPLEX RECEPTACLE



- REAR COMPARTMENT CONTAINS THE FOLLOWING:**
- COMPARTMENT B1 CONTAINS:
 -
- COMPARTMENT B2 CONTAINS:
 - (1) RACK FOR LITTLE GIANT LADDER
 - (1) STOKES BASKET RACK
- COMPARTMENT B3 CONTAINS:
 - (1) RACK FOR 2-SECTION LADDER
 - (1) RACK FOR 14' ROOF LADDER



- LEFT SIDE COMPARTMENTS CONTAIN THE FOLLOWING:**
- COMPARTMENT L51 CONTAINS:
 - (1) CASCADE SYSTEM CONTROL PANEL
 - (1) "SPACE SAVER" 2-BOTTLE FILL ENCLOSURE
 - (1) TOOL AIR REEL WITH 150' OF HOSE
 - (1) FLAT PLATE ADJ. SHELF
 - (1) BREATHING AIR BOOSTER PUMP
 - (1) RACK FOR 10 SCBA BOTTLES
- COMPARTMENT L52 CONTAINS:
 - (1) 15/20A, 120V DUPLEX RECEPTACLE
- COMPARTMENT L53 CONTAINS:
 - (1) HORIZONTAL FLOOR EXTENSION
 - (1) 15/20A, 120V DUPLEX RECEPTACLE
- COMPARTMENT L54 CONTAINS:
 - (1) HORIZONTAL FLOOR EXTENSION
 - (1) CIRCUIT BREAKER PANEL
 - (1) GENERATOR METER PANEL
 - (1) NIGHT SCAN CONTROLLER
 - (1) LOW PROFILE ELECTRIC CORD REEL WITH 100' OF 10/3 BLACK CORD
 - (1) 15/20A, 120V DUPLEX RECEPTACLE



NOTE
 DIMENSIONS SHOWN ARE APPROXIMATE AND ARE SUBJECT TO MINOR DEVIATIONS AS MAY OCCUR OR BE NECESSARY IN CONSTRUCTION.
 MINOR DETAILS NOT SHOWN.

- NOTES:**
- ONAN 25kW SINGLE PHASE PTO DRIVEN GENERATOR LOCATED BETWEEN THE FRAME RAILS
 - (2) 15/20A, 120V DUPLEX RECEPTACLES IN THE FORWARD FACING OVERHEAD CABINET ON THE BACK WALL
 - BRUSHED 5/5 SCUFFPLATES ON CAB AND CREW CAB DOOR JAMBS
 - FLOOR IN CAB AND CREW CAB TO BE PADDED RUBBER
 - (4) STREAMLIGHT FIRE VULCAN HANDLIGHTS ON ENGINE TUNNEL IN CAB
 - 10TA 75 AMP BATTERY CHARGER LOCATED BEHIND THE DRIVER'S SEAT
 - BATTERY CHARGE INDICATOR LOCATED ON DRIVER'S SEAT RISER
 - 20A, 120V KUSSMAIL SUPER AUTO EJECT INLET LOCATED IN DRIVER'S STEP WELL OF CAB
 - ELASTIC PULL STRAPS ON ALL BODY ROLL-UP DOORS
 - 5/5 GUARDS ON ALL BODY ROLL-UP DOORS
 - PIERCE LED LIGHTS IN ALL BODY AND HATCH COMPARTMENTS

CLEAR DOOR WIDTH KEY		CHASSIS DATA	TITLE
AMOR ROLL UP DOORS:	-2 1/4"	20AUG21	DHE CDK
CORTITE ROLL UP DOORS:	-2 1/2"	09JUN21	DHE CDK
PIERCE DOUBLE LAP DOORS:	-4 1/4"	15APR21	PDE CDK
PIERCE LIFT-UP LAP DOORS:	-1 1/2"		
(EX: 60" F-F - 2 1/4" = 57 3/4" CLEAR)			
(F-F) = FRAME TO FRAME			

		JOB NO.	35945
		SCALE	DATE
Pierce MANUFACTURING INC. CRESCENT HOSE COMPANY BID #699 JOSEPH WRENN	TITLE	HEAVY DUTY RESCUE NON-WALKIN	
	FOR		
	DWG NO.	35945AD	
	SHEET NO.	1 OF 1	