

PUMPER BODY
Medium Aluminum 2nd Gen Pumper

CHASSIS
Enforcer Chassis

CHASSIS AXLE, FRONT, CUSTOM
19,500 Lb TAK-4 Axle

AXLE, REAR
31,000 Lb Dana Axle

ENGINE
450 HP Cummins L9 Engine

TRANSMISSION
Allison 5th Gen, 3000 EVS P

BUMPER
19" Extended Painted Steel

CAB
7010 Enforcer Cab

BODY WATER TANK
1250 Gallon Poly Water Tank

COMPT, PUMPER, REAR
51.25" FF, 25.88" Deep Flush Rollup Rear Compt

COMPT, PUMPER, LEFT SIDE
161" Rollup Full Height Front & Rear FDLR

COMPT, PUMPER, RIGHT SIDE
161" Rollup Full Height Front & Rear FDLR

FIRE SUPPRESSION PUMPHOUSE
45" Control Zone Side Mount

PUMP
1500 GPM Waterous CSU

CROSSLAYS, 1.50"
(2) 1.50" Standard Capacity

CROSSLAYS, 2.50"
2.50" Crosslay Not Required

SPEEDLAYS
Speedlays Not Required

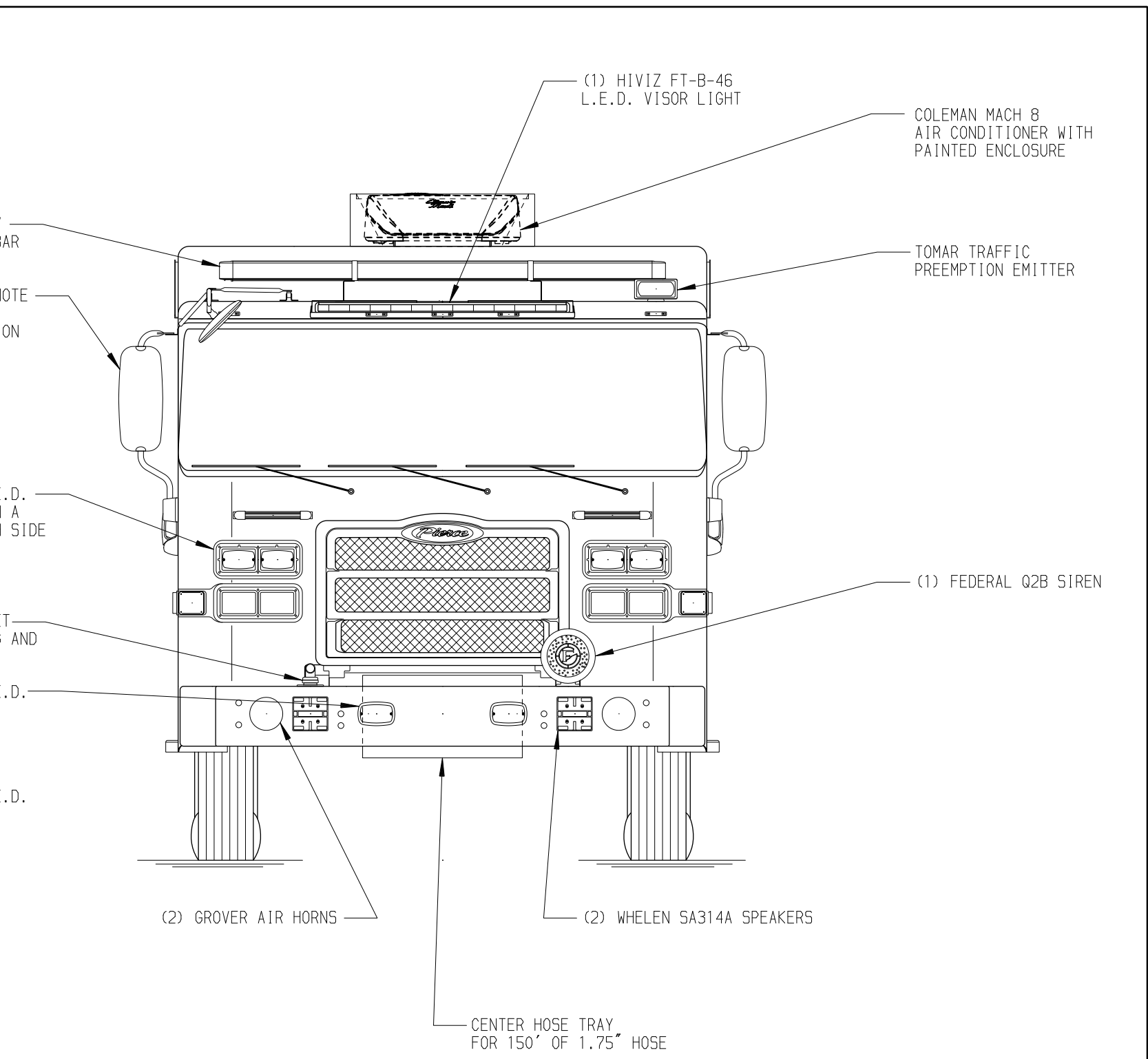
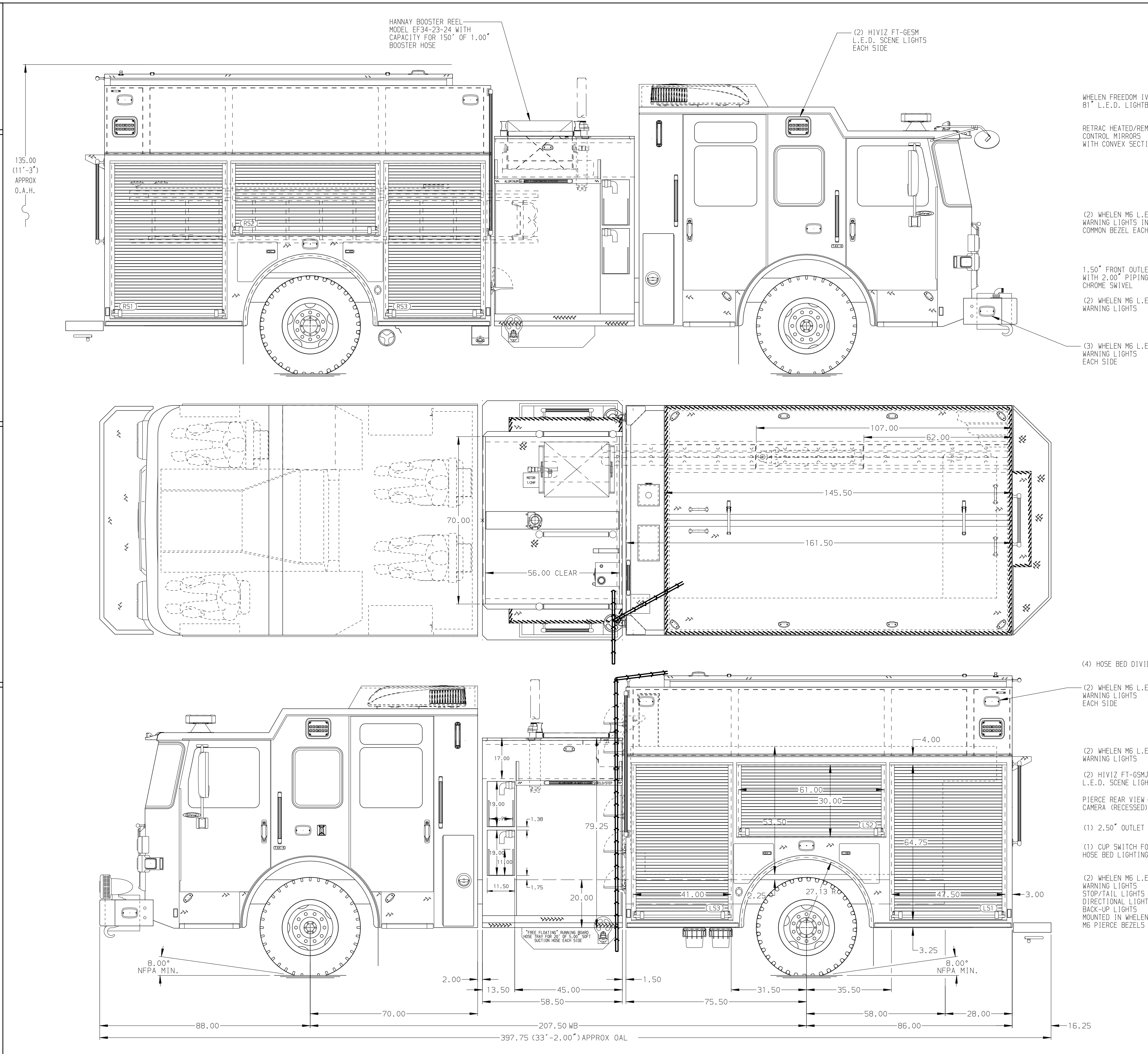
GENERATOR
Generator Not Required

Foam System
Husky 12 Single Agent Foam System

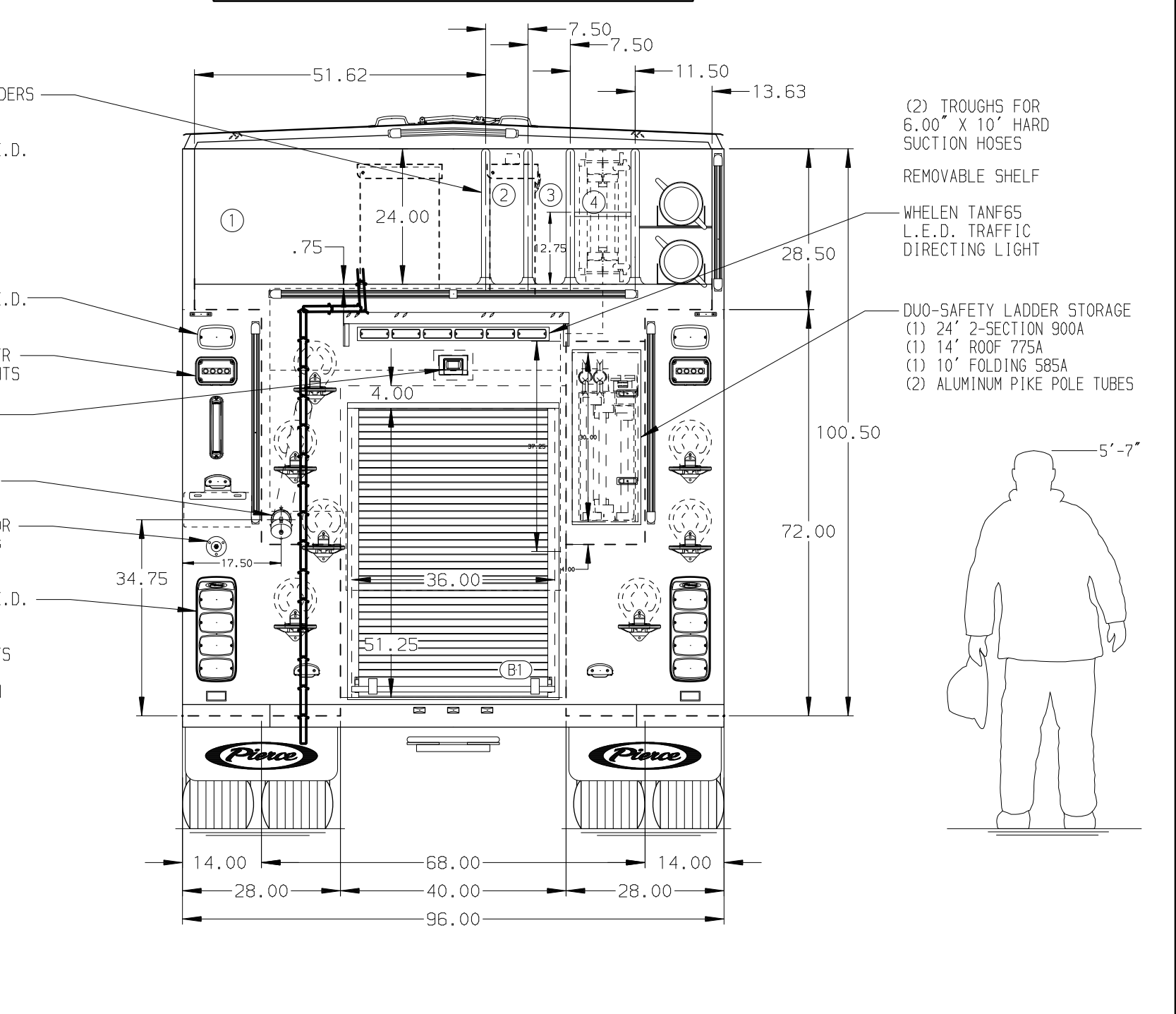
Foam Cell
75 Gallon Foam Cell, Not Reduced Water

Side Roll and Frontal Impact Protection

NOTE
DIMENSIONS SHOWN ARE APPROXIMATE AND ARE SUBJECT TO MINOR DEVIATIONS AS MAY OCCUR OR BE NECESSARY IN CONSTRUCTION. MINOR DETAILS NOT SHOWN.



HOSEBED CAPACITY	
BED 1	1000' OF 5.00" D.J. POLY HOSE
BED 2	300' OF 3.00" D.J. POLY HOSE
BED 3	300' OF 3.00" D.J. POLY HOSE
BED 4	HOSE PACKS



		JOB NO.	35944
		SCALE	DATE
Pierce MANUFACTURING INC.		TITLE	Pierce Pumper Approval Drawing
CHASSIS DATA MAKE PIERCE MODEL ENFORCER		FOR	Victoria Fire Department
DWG NO.		35944AD	
DRAWN BY MMF CHECKED BY COL		SHEET SIZE	SHEET NO.
REV DATE BY CH		D	1 OF 1

1. BLUE SEA SURE EJECT SHORELINE LOCATED ON DRIVER SIDE OF THE CAB
2. AIR INLET WITH DISCONNECT COUPLING LOCATED ON DS PUMP PANEL
3. BATTERY CHARGER LOCATED IN COMPARTMENT D3
4. BATTERY CHARGE INDICATOR LOCATED ON THE DRIVER SIDE SEAT RISER
5. SEVEN ADJUSTABLE SHELVES IN COMPARTMENTS PER SHOP ORDER
6. THREE FLOOR MOUNTED SLIDE-OUT TRAYS IN COMPARTMENTS PER SHOP ORDER
7. ONE ADJUSTABLE SLIDE-OUT TRAY IN COMPARTMENT PER SHOP ORDER
8. ALUMINUM PEGBOARDS IN COMPARTMENTS PER SHOP ORDER

REV	DATE	BY	CH	ENFORCER
14JUL21	MMF	CHR		
20MAY21	MMF	CHR		