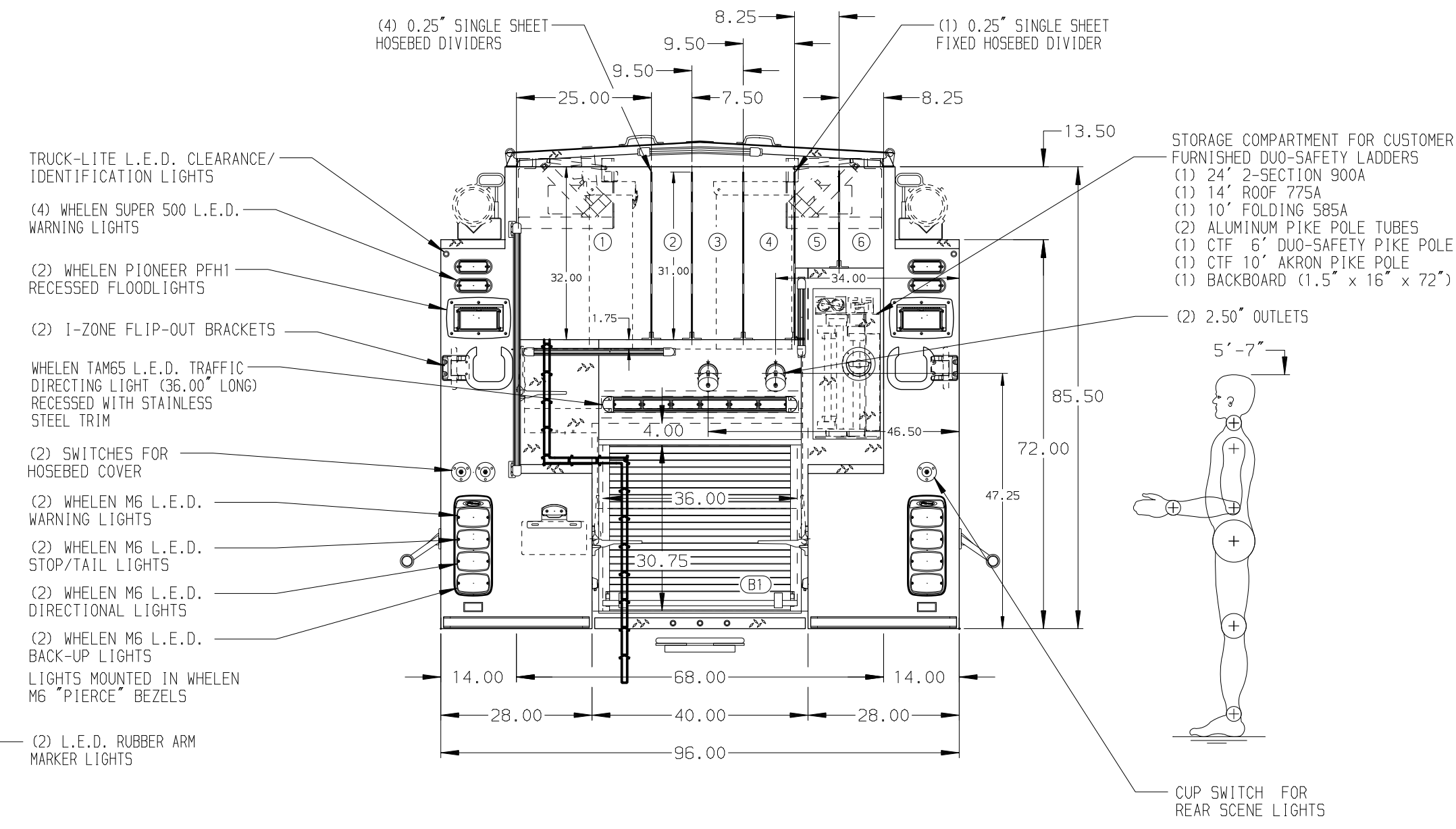
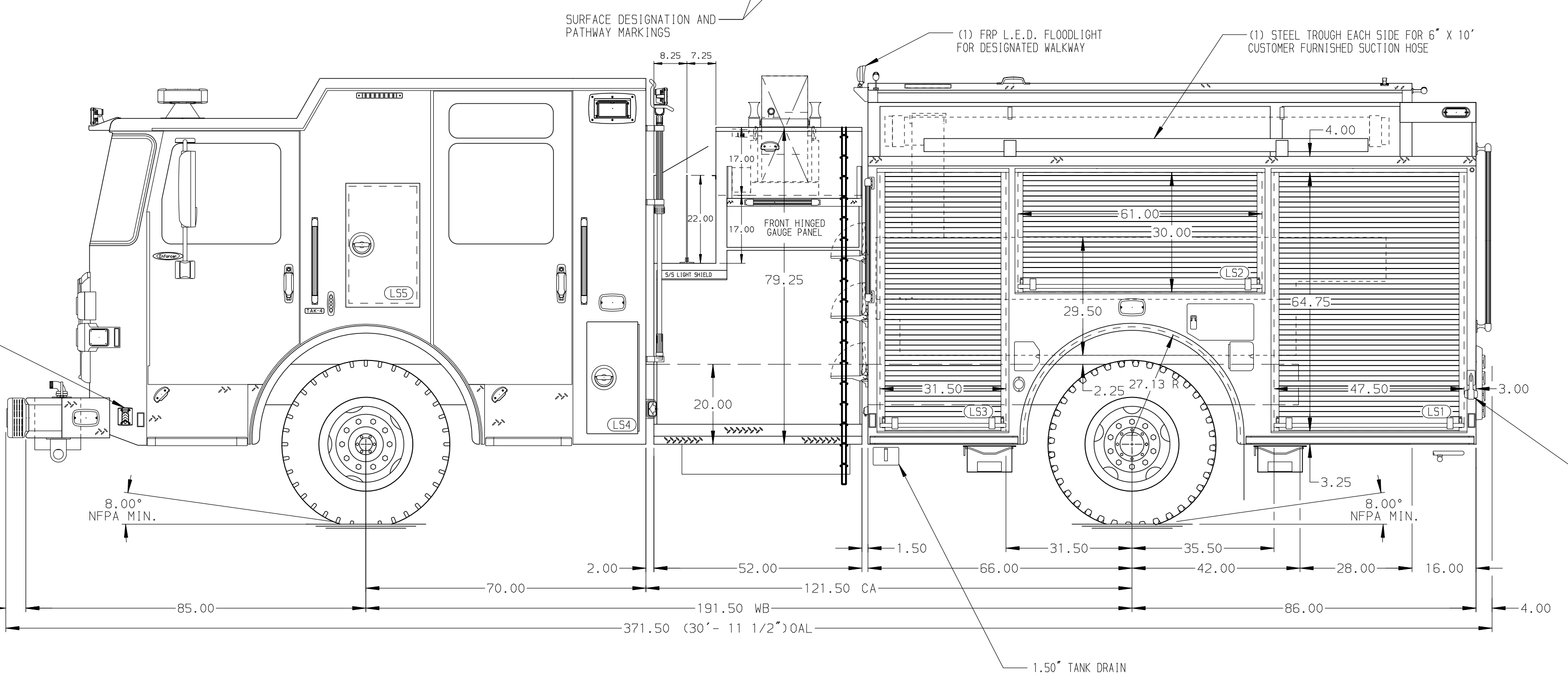


ELECTRIC ACTUATED ALUMINUM TREADPLATE HOSEBED COVER

- HOSEBED CAPACITIES**
- ① 800' OF 5.00" D.J. HOSE
 - ② 400' OF 1.75" D.J. HOSE
 - ③ 400' OF 2.50" D.J. HOSE
 - ④ 400' OF 2.50" D.J. HOSE
 - ⑤ 200' OF 3.00" D.J. HOSE
 - ⑥ 200' OF 3.00" D.J. HOSE



GALVANNEAL

NOTE
DIMENSIONS SHOWN ARE APPROXIMATE AND ARE SUBJECT TO MINOR DEVIATIONS AS MAY OCCUR OR BE NECESSARY IN CONSTRUCTION. MINOR DETAILS NOT SHOWN.

1. BATTERY CHARGE INDICATOR LOCATED ON THE DRIVER'S SEAT RISER
2. BLUE SEA P12 BATTERY CHARGER BEHIND THE DRIVER'S SEAT
3. DRIP PAN GUARD FOR ROLL-UP DOOR IN COMPARTMENTS L51, L52, L53, R51, R52, R53 AND B1
4. TWO FIXED FULL WIDTH/DEPTH SHELVES - ONE IN COMPARTMENTS L51 AND L53
5. ONE ADJUSTABLE FULL WIDTH/DEPTH SHELF WITH FRONT FLANGE DOWN IN COMPARTMENT L52
6. ONE ADJUSTABLE FULL WIDTH/DEPTH SHELF WITH SPECIAL SIDE HEIGHTS IN COMPARTMENT B1
7. FOUR ADJUSTABLE FULL WIDTH/DEPTH SHELVES - ONE IN COMPARTMENTS L51 AND L52; TWO IN R51
8. ONE FLOOR MOUNTED SLIDE-OUT TRAY IN COMPARTMENT B1
9. ONE SWING-OUT TOOL BOARD WITH PEGBOARD PATTERN IN COMPARTMENT R52
10. CTECH THREE DRAWER ASSEMBLY IN COMPARTMENT L53

11. ONE ZIAMATIC SCBA HOLDER BRACKET IN COMPARTMENTS L53 AND R53
12. 1.00\"/>

21. 3-PIECE ANCHOR PLATE FOR NEDERMAN EXHAUST SYSTEM HOSE SHIPPED LOOSE
22. AIR INLET/OUTLET WITH DISCONNECT FITTING ON LEFT SIDE PUMP PANEL

REV	DATE	BY	CH	ENFORCER
08JUN21	JRO	CHR		MAKE
07MAY21	JRO	CHR		PIERCE
05MAR21	JRO	PHA		MODEL

		JOB NO.	35932-01, -02
		SCALE	1:24 DATE
TITLE 1500-500 WATER/20 FOAM, 152" BODY, SIDE CONTROL CROSSLAYS, LADDERS BETWEEN TANK & S.SHT, DELUGE	FOR SALINAS FIRE DEPARTMENT SALINAS, CALIFORNIA	DRAWN BY	JRO 23FEB21
		CHECKED BY	PHA 1MAR21
DWG NO. 35932AD	SHEET NO. D	SHEET SIZE 1 OF 1	