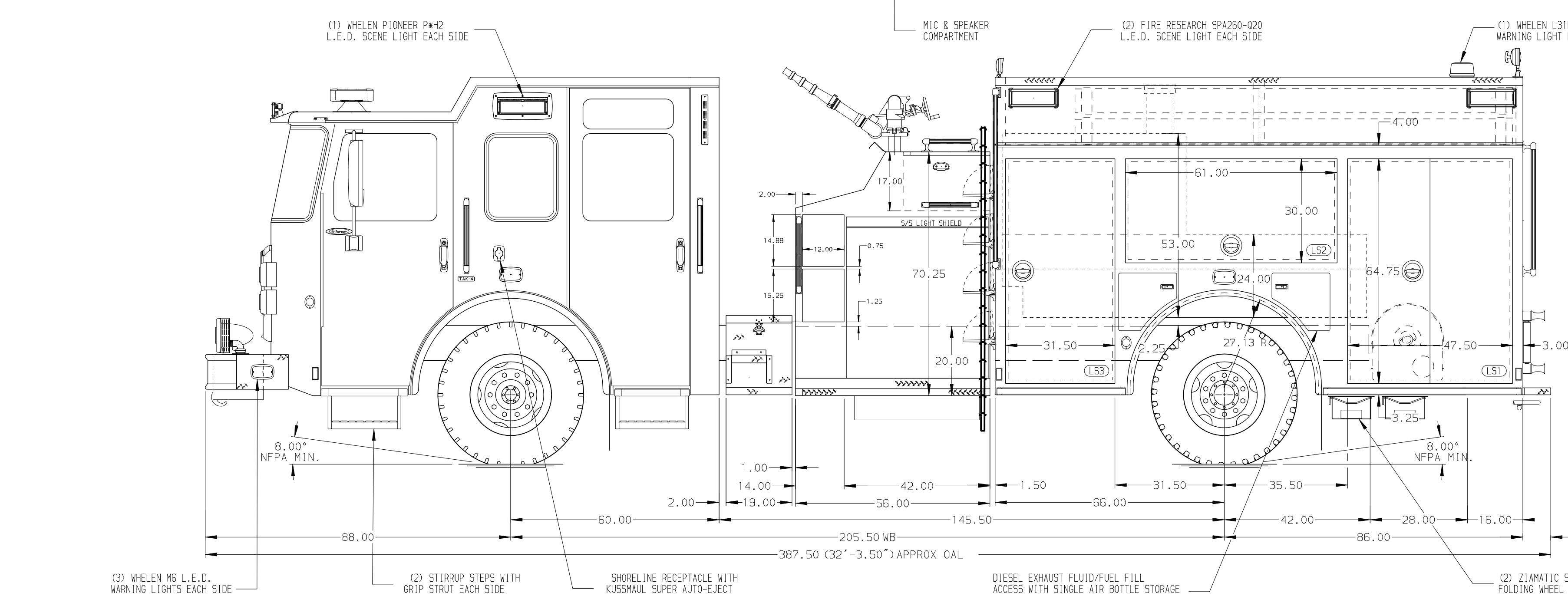
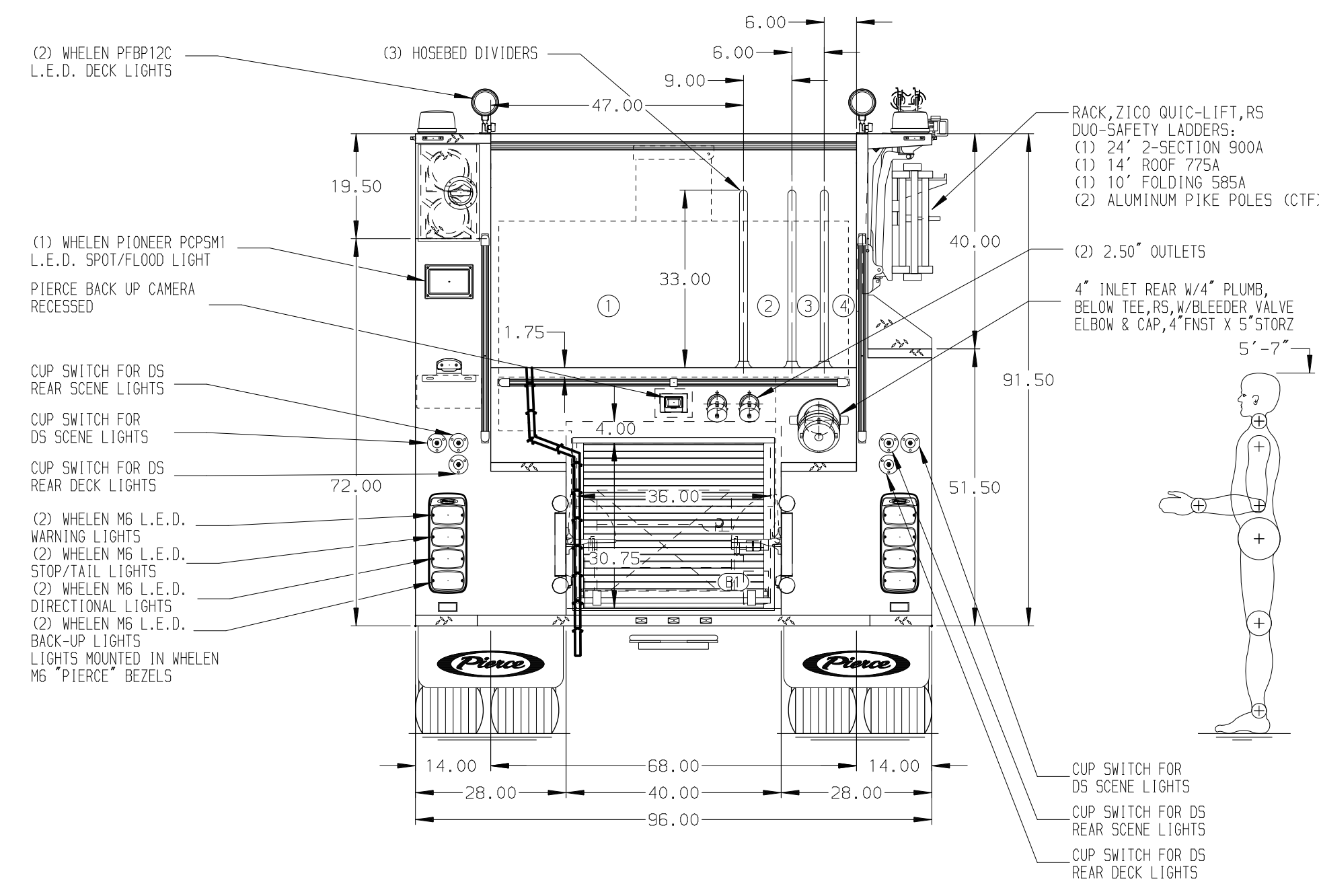
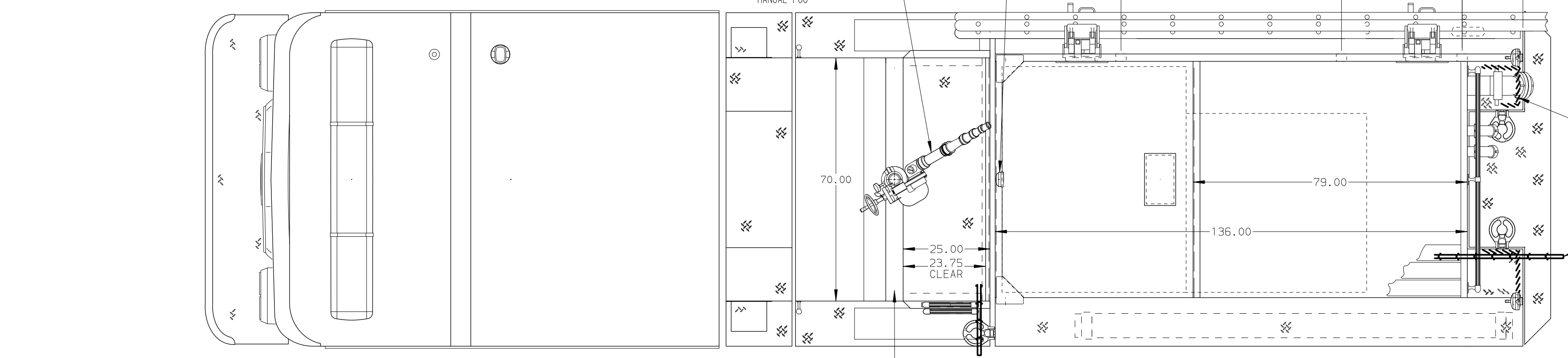


**HOSEBED CAPACITIES**

- 1 - 1600' OF 4.00" D.J.POLY HOSE
- 2 - 500' OF 1.75" D.J.POLY HOSE
- 3 - 250' OF 2.50" D.J.POLY HOSE
- 4 - 250' OF 2.50" D.J.POLY HOSE



**ALUMINUM BODY**

**FRONTAL IMPACT PROTECTION**

**NOTE**  
DIMENSIONS SHOWN ARE APPROXIMATE AND ARE SUBJECT TO MINOR DEVIATIONS AS MAY OCCUR OR BE NECESSARY IN CONSTRUCTION. MINOR DETAILS NOT SHOWN.

1. BATTERY CHARGER/COMPRESSOR LOCATED IN CAB
2. BATTERY CHARGER INDICATOR LOCATED ON DRIVER'S SEAT RISER
3. DUAL L.E.D. LIGHT STRIPS LOCATED IN HOSE BED
4. REVERSED HINGED DOOR ON COMPARTMENT L53 & R53
5. TWO FULL WIDTH/DEPTH ADJUSTABLE SHELVES IN COMPARTMENT RS2, ONE IN RS1, LS1, L53 AND B1
6. ONE FLOOR MOUNTED SLIDE-OUT TRAY IN COMPARTMENT RS1, LS1 AND L53
7. SWING-OUT TOOL BOARD WITH PEGBOARD PATTERN IN COMPARTMENT LS2
8. HANNAY BOOSTER REEL MODEL EF32-21-22-B WITH 150' OF 1.00" BOOSTER HOSE (CAPACITY FOR 200' OF 1.00" HOSE) IN COMPARTMENT B1

		JOB NO.	35929
		SCALE	DATE
<b>Pierce MANUFACTURING INC.</b>		TITLE	1500-D-750P, 152", FULL HEIGHT LS, 3/4 HEIGHT RS, FDLER LADDERS ON ZICO RACK, (2) SPEEDLAYS, TOP MOUNT
		FOR	AMAGANSETT FIRE DEPARTMENT AMAGANSETT, NEW YORK
		DWG NO.	35929AD
		SHEET NO.	1 OF 1

REV	DATE	BY	CH	ENFORCER
1	11AUG21	JJB	DTS	CHASSIS DATA
2	14JUN21	JJB	DTS	MAKE
3	20MAY21	JJB	DTS	PIERCE
4	05MAR21	JJB	PHA	MODEL