

Pumper, PUC BODY

Pumper, PUC, Aluminum

CHASSIS

Enforcer Chassis, PUC

CHASSIS AXLE, FRONT, CUSTOM

22,800 Lb Meritor Axle

AXLE, REAR

31,000 Lb Meritor Axle

ENGINE

470 HP DD13 Engine

TRANSMISSION

Allison 5th Gen, 4000 EVS P

BUMPER

19" Extended Stainless Steel

CAB

7010 Enforcer Cab, PUC

BODY

WATER TANK

1000 Gallon Poly Water Tank

COMPT, PUMPER, REAR

40.50" FF RollUp Rear Compt w/Tailboard, PUC

COMPT, PUMPER, LEFT SIDE

189" RollUp Full Height & Depth Front & Rear, PUC

COMPT, PUMPER, RIGHT SIDE

189" RollUp Full Height & Depth Front & Rear, PUC

FIRE SUPPRESSION PUMPHOUSE

Control Zone, PUC

PUMP

1500 GPM Pierce PUC

CROSSLAYS, 1.50"

(2) 1.50", Poly Trays, 200'

CROSSLAYS, 2.50"

(1) 2.50", Poly Tray, 200'

GENERATOR

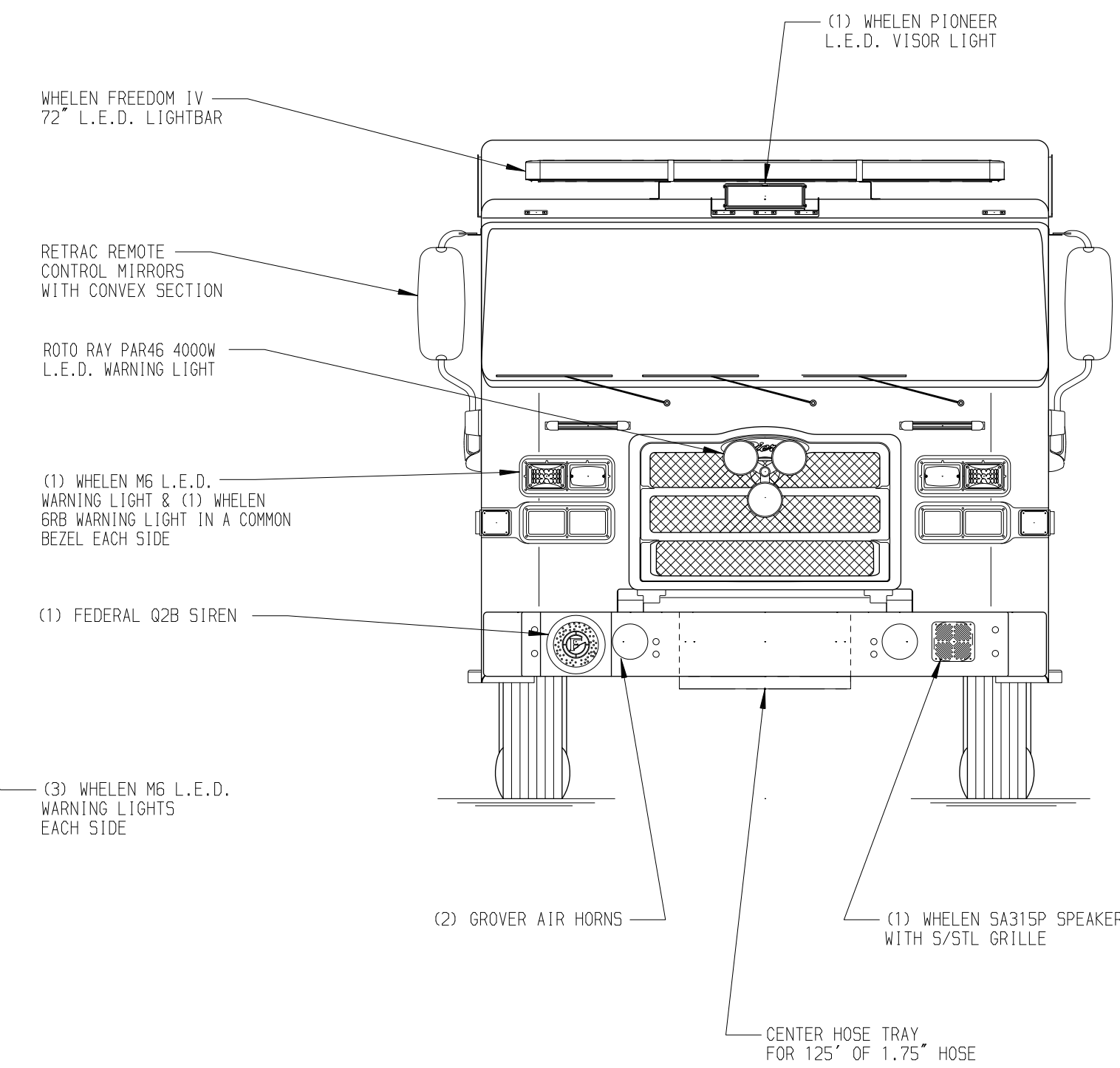
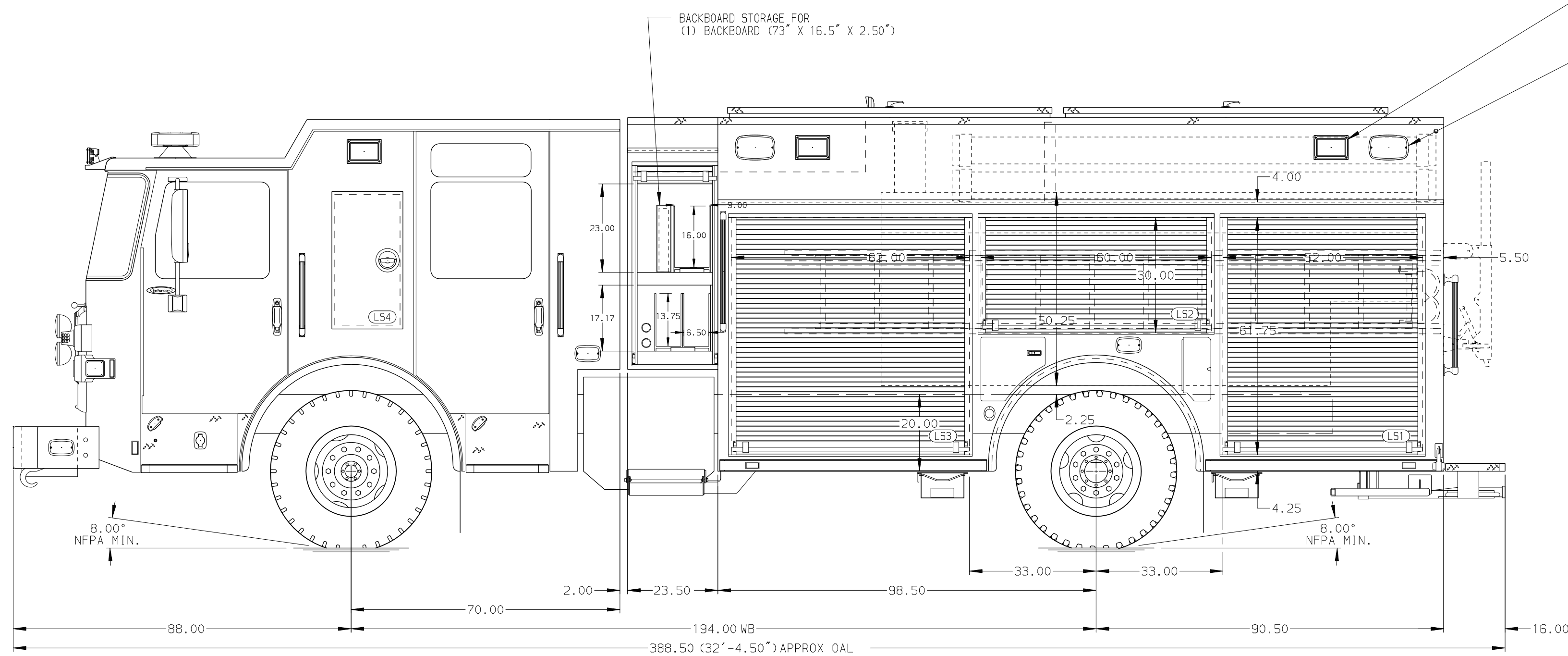
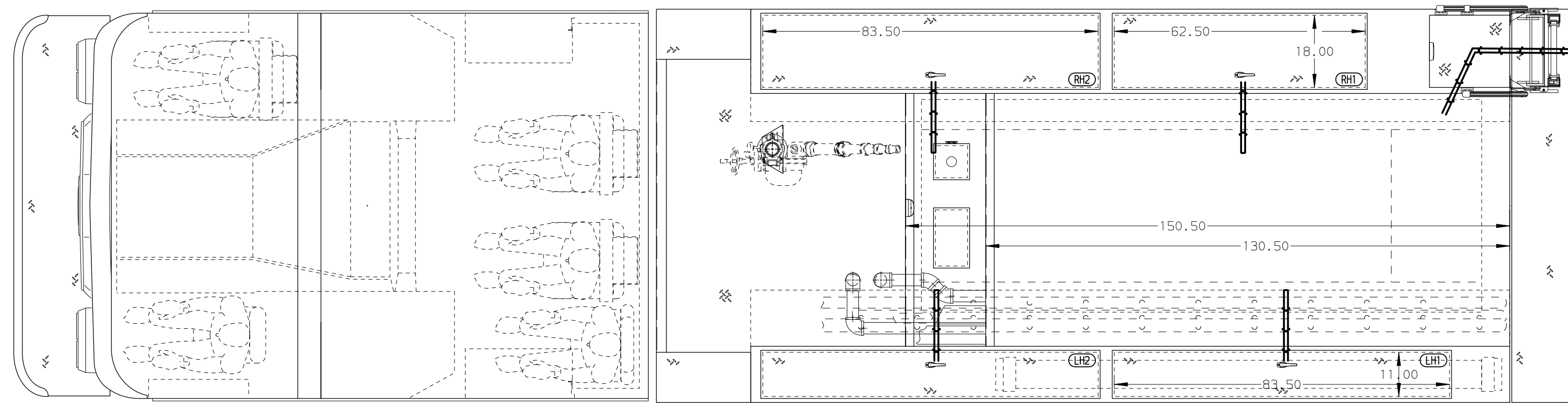
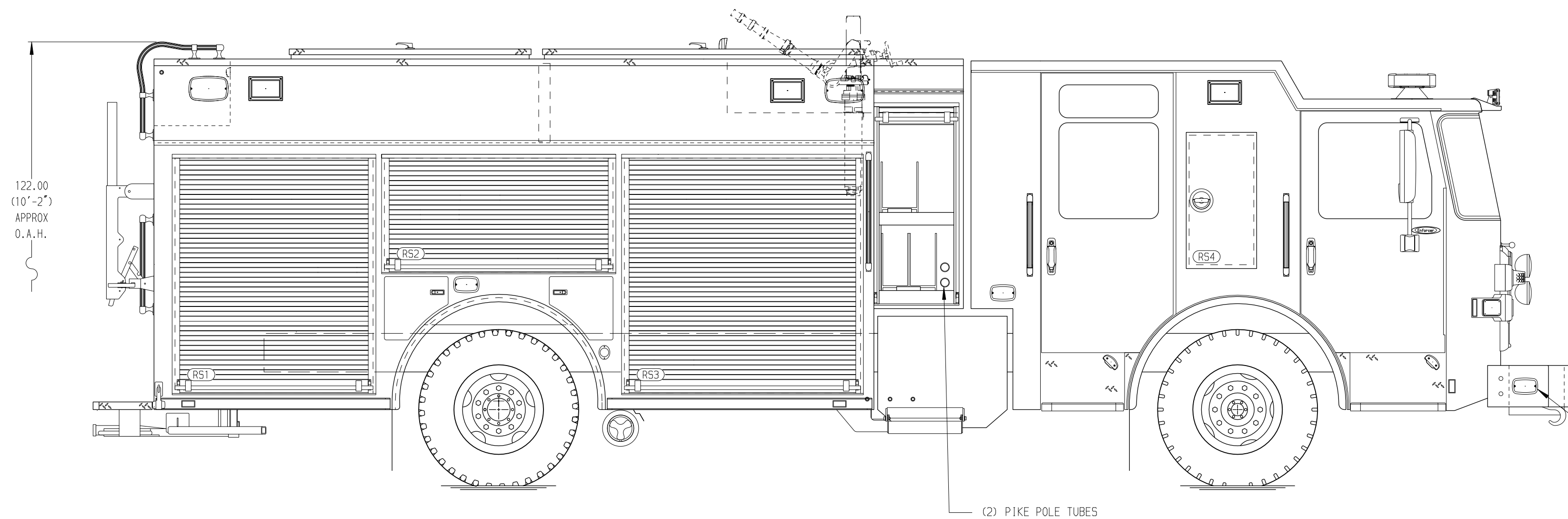
Generator Not Required

Foam System

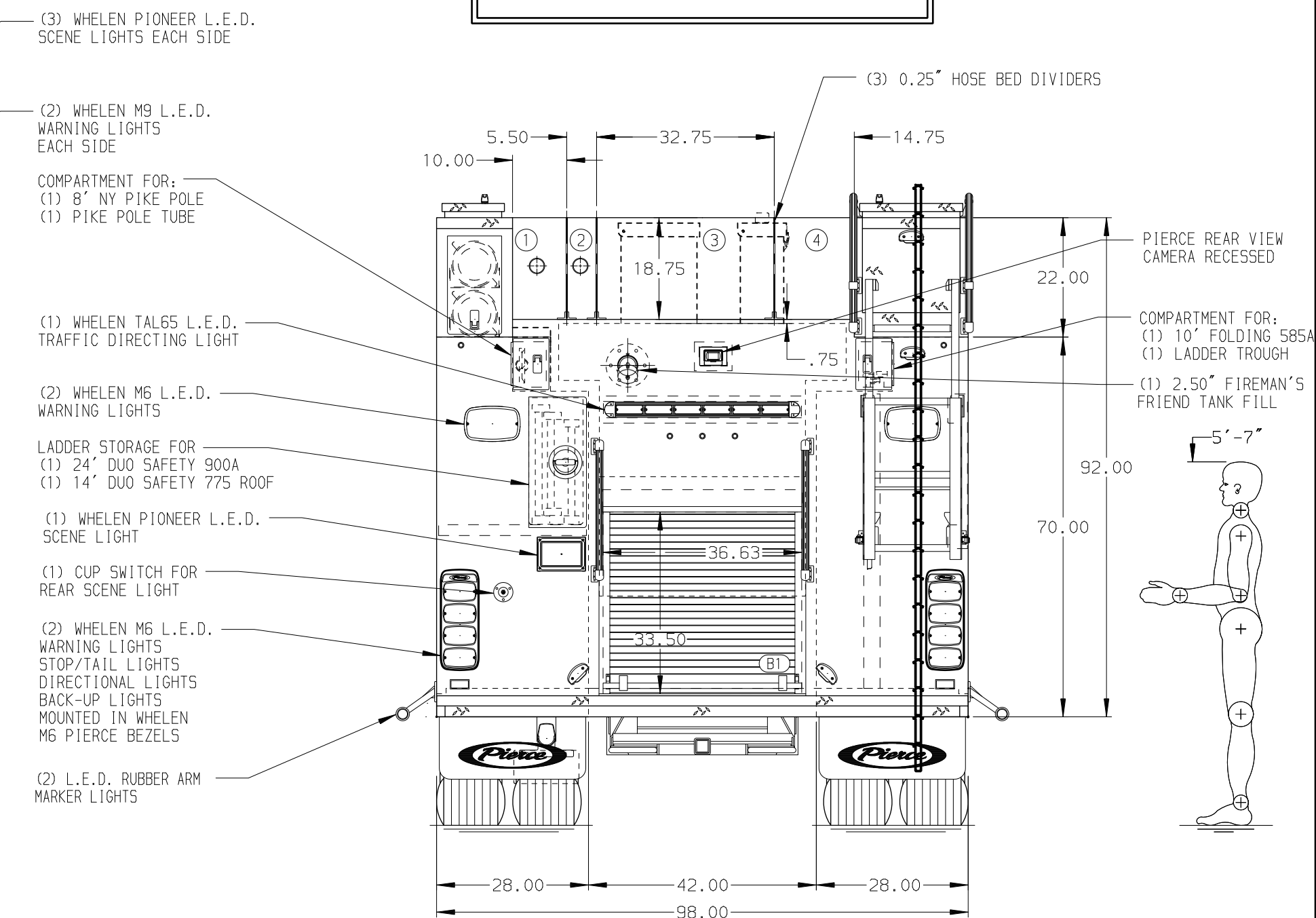
Foam System Not Required

Foam Cell

30 Gal Foam Cell Reduce Water



HOSEBED CAPACITY	
BED 1	200' OF 1.75" D.J. POLY HOSE (ABOVE) 200' OF 2.50" D.J. POLY HOSE (BELOW)
BED 2	200' OF 2.50" D.J. POLY HOSE
BED 3	975' OF 5.00" D.J. POLY HOSE
BED 4	400' OF 3.00" D.J. POLY HOSE



NOTE
DIMENSIONS SHOWN ARE APPROXIMATE AND ARE SUBJECT TO MINOR DEVIATIONS AS MAY OCCUR OR BE NECESSARY IN CONSTRUCTION.
MINOR DETAILS NOT SHOWN.

- ONE 1.50 OUTLET WITH 2.00 PIPING AND SWIVEL LOCATED IN CENTER HOSE TRAY
- SHORELINE RECEPTACLE WITH KUSSMAUL SUPER AUTO-EJECT LOCATED ON DRIVER SIDE STEP WELL
- AIR INLET WITH DISCONNECT COUPLING IN THE DRIVER SIDE STEPWELL
- AIR OUTLET WITH SHUT OFF VALVE LOCATED ON DRIVERS SIDE PUMP PANEL
- BATTERY CHARGER LOCATED IN COMPARTMENT PER SHOP ORDER
- BATTERY CHARGE INDICATOR LOCATED ON THE DRIVER SIDE SEAT RISER
- FOUR ADJUSTABLE SHELVES IN COMPARTMENTS PER SHOP ORDER
- THREE FLOOR MOUNTED SLIDE-OUT TRAY IN COMPARTMENT PER SHOP ORDER
- ONE SLIDE-OUT TRAY LOCATED IN COMPARTMENT PER SHOP ORDER
- TWO TILT/SLIDE-OUT TRAYS LOCATED IN COMPARTMENTS PER SHOP ORDER
- ONE SLIDE-OUT TOOLBOARD LOCATED IN COMPARTMENT PER SHOP ORDER
- ONE VERTICAL PARTITION IN COMPARTMENT PER SHOP ORDER
- PEGBOARD ON BACK WALL IN COMPARTMENTS PER SHOP ORDER
- TWO SWING-OUT TOOLBOARDS LOCATED IN COMPARTMENT PER SHOP ORDER

REV	DATE	BY	CH	ENFORCER
12JUL21	MMF	JGO		CHASSIS
23JUN21	MMF	COL		DATA
26MAY21	MMF	JGO		MAKE
08APR21	MMF	CW1		PIERCE
03MAR21	MMF	CW1		MODEL

		JOB NO.	35908
		SCALE	DATE
TITLE	Pierce PUC Pumper Approval Drawing		
FOR	Beaufort Fire Department		
DWG NO.	35908AD		
DRAWN BY	MMF	CHECKED BY	COL
SHEET SIZE	D	SHEET NO.	1 OF 1