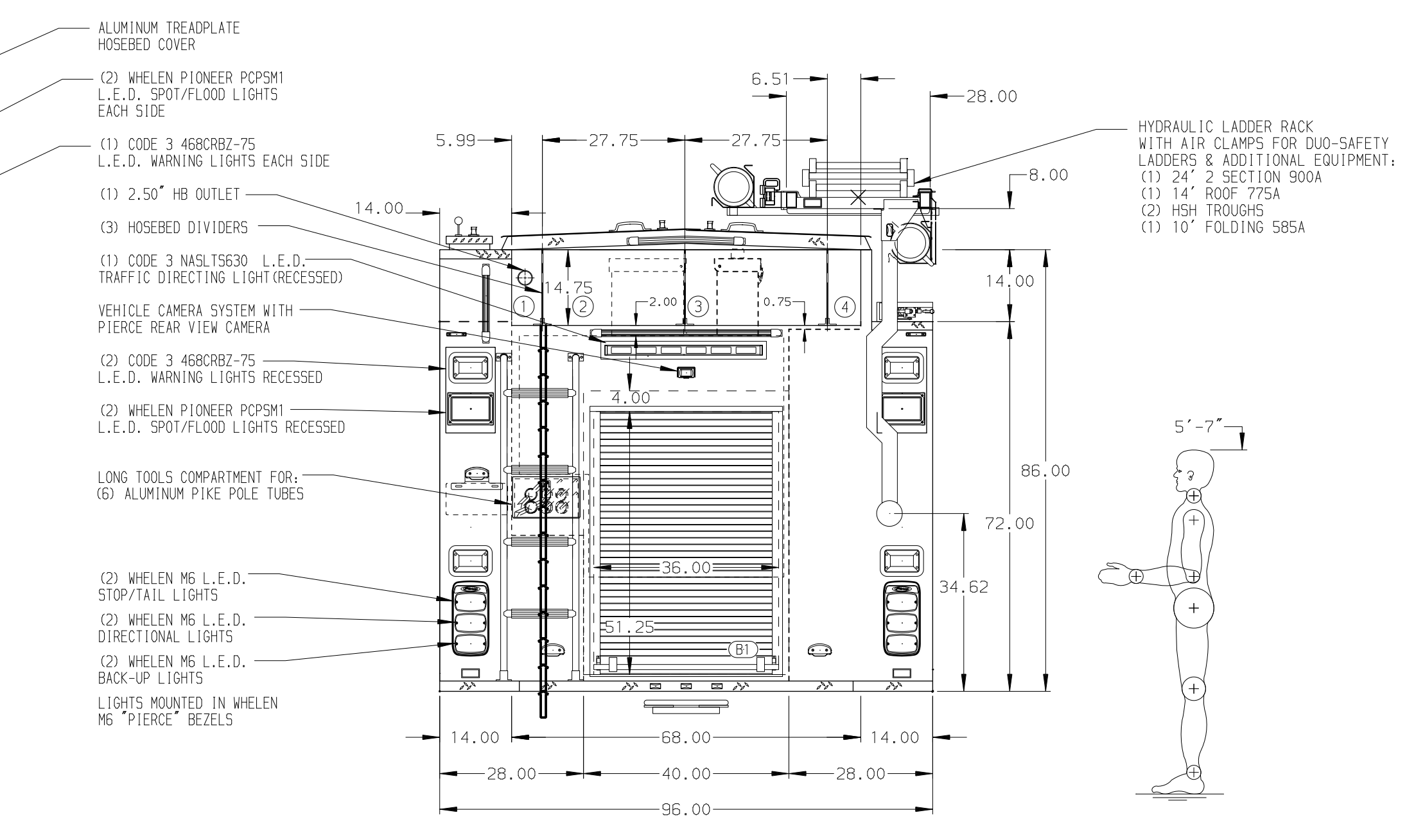
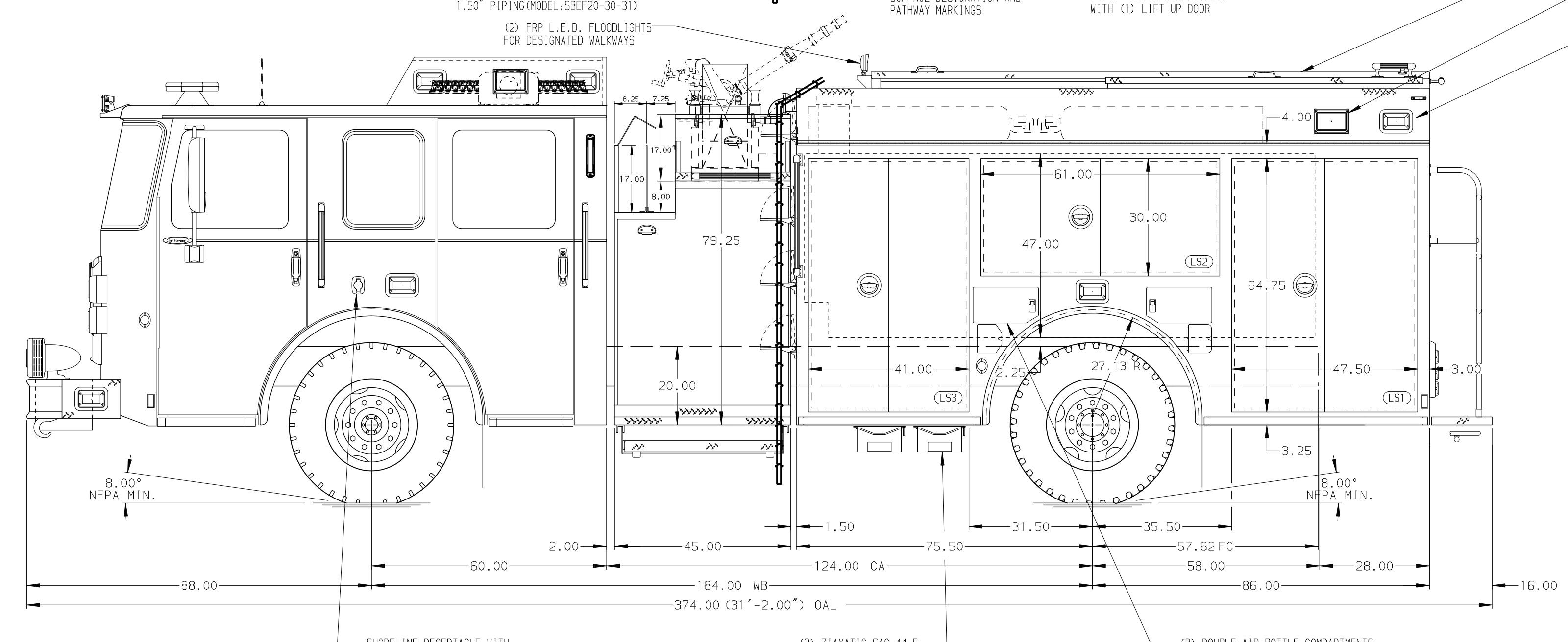


- HOSEBED CAPACITIES**
- ① - 200' OF 2.50" D.J. HOSE
 - ② - 900' OF 3.00" D.J. HOSE
 - ③ - 900' OF 3.00" D.J. HOSE
 - ④ - 200' OF 1.75" D.J. HOSE



ALUMINUM BODY

MAXIMUM O.A.L. 374.00"

MAXIMUM O.A.H. 127.00"

NOTE
DIMENSIONS SHOWN ARE APPROXIMATE AND ARE SUBJECT TO MINOR DEVIATIONS AS MAY OCCUR OR BE NECESSARY IN CONSTRUCTION. MINOR DETAILS NOT SHOWN.

1. AIR INLET W/DISCONNECT COUPLING RECESSED IN CAB STEP
2. BATTERY CHARGER LOCATED BEHIND THE DRIVER'S SEAT
3. BATTERY CHARGE INDICATOR LOCATED ON DRIVER'S SEAT RISER
4. ONE FULL WIDTH/DEPTH ADJUSTABLE SHELF IN COMPARTMENT L53, R51, R52 & B1; TWO IN R53; THREE IN L51
5. ONE FLOOR MOUNTED SLIDE-OUT TRAY IN COMPARTMENT R51, R53 & B1
6. REINFORCED FLOOR IN HATCH COMPARTMENT FOR DTF/CTF AIR BOTTLE STORAGE
7. 140 CFM COMPRESSED AIR FOAM SYSTEM
8. RUD AUTOMATIC TIRE CHAINS
9. DUAL L.E.D. LIGHTS STRIPS IN HOSE BED
10. ONE TILT/SLIDE-OUT ADJUSTABLE TRAY LOCATED IN COMPARTMENT R51

- (1) ZIAMATIC SAC-44-E FOLDING WHEEL CHOCKS
- (2) DOUBLE AIR BOTTLE COMPARTMENTS WITH STAINLESS STEEL DOORS

REV	DATE	BY	CH	ENFORCER
1	19OCT21	LME	CSH	CHASSIS DATA
2	09JUL21	LME	CSH	MAKE
3	19MAY21	LME	KWI	PIERCE
4	13MAY21	LME	CSH	MODEL

	MANUFACTURING INC.	JOB NO.	35894
	TITLE: 1250-D-1030P, 1000 GAL WATER W/30GAL FOAM, 161" BODY (2)XLAYS, HYD LADDER RACK, DELUGE, HUSKY 12, CAFS		SCALE: 1:24 DATE
FOR: CEDAR HILL FIRE PROTECTION DISTRICT CEDAR HILL, MISSOURI		DRAWN BY: LME	02FEB21
		CHECKED BY: EGO	9FEB21
DWG NO.: 35894AD		SHEET SIZE: D	SHEET NO.: 1 OF 1