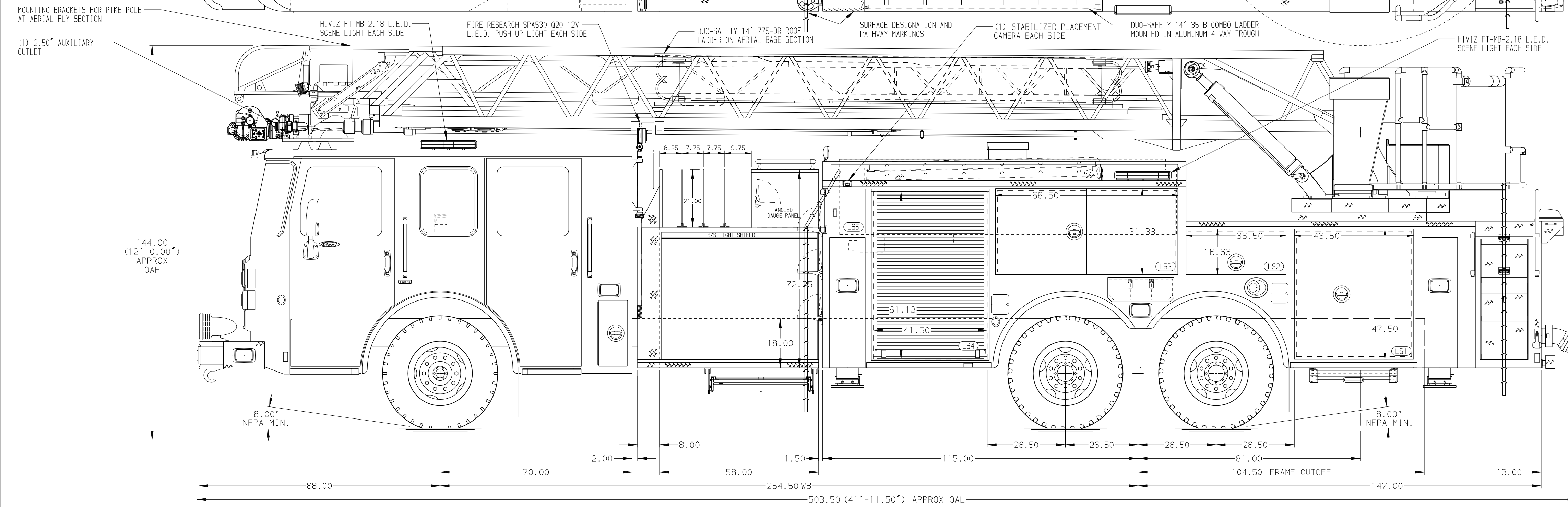
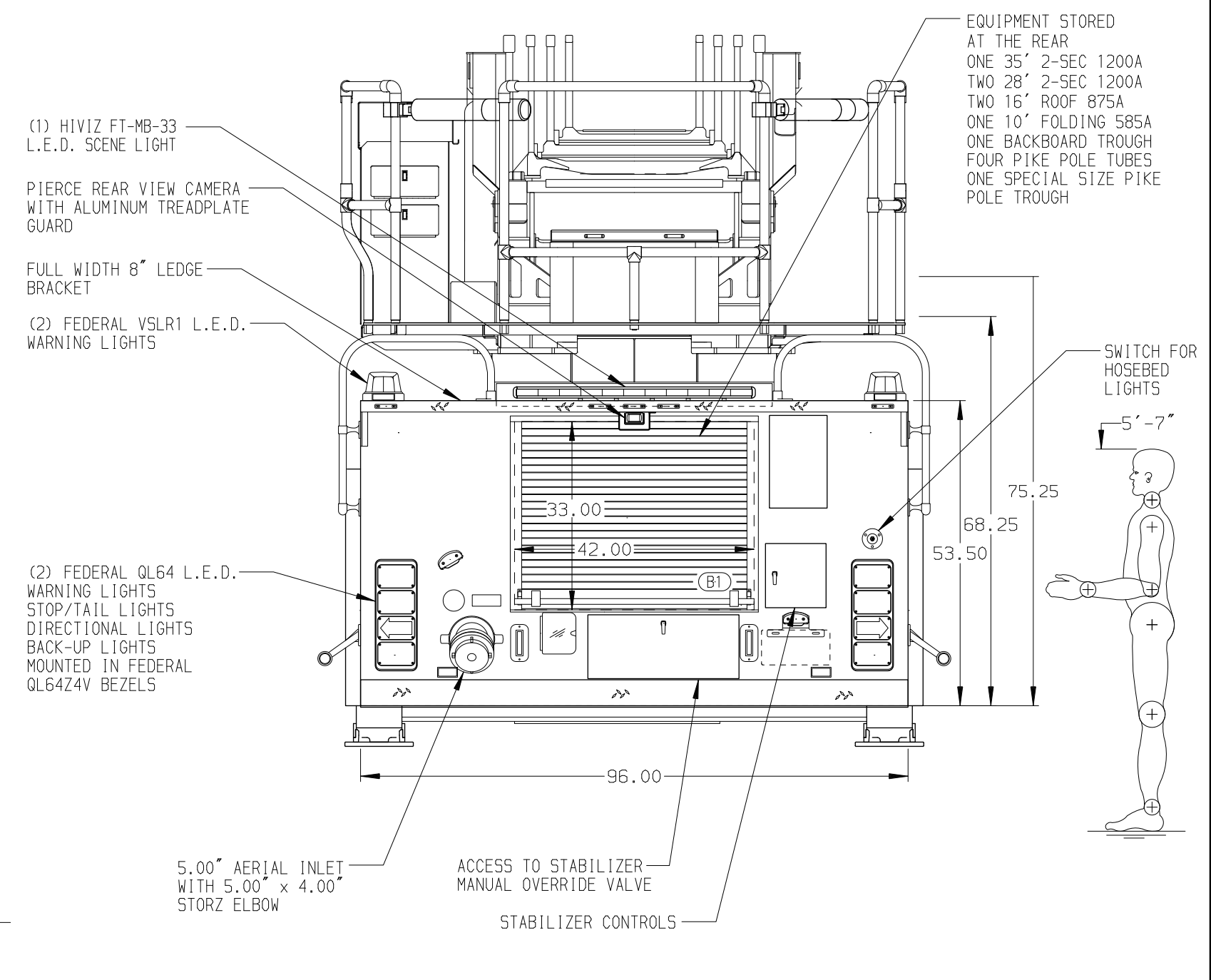
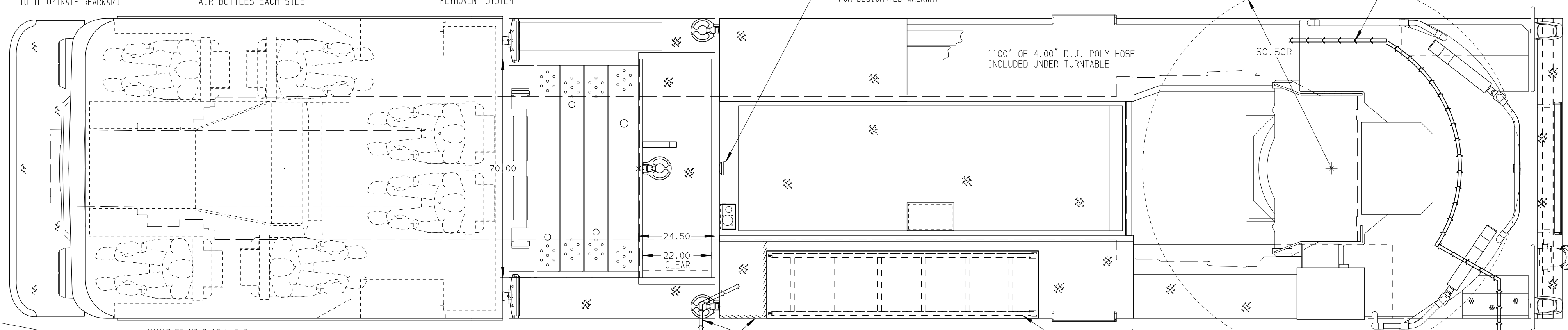


<p>BODY</p> <p>107' ASL Tandem Axle Aluminum Body</p> <p>COMPT, LEFT SIDE FRONT</p> <p>FH/FD Roll/DBL Forward w/o Chute</p> <p>COMPT, LEFT SIDE REAR</p> <p>FH/FD Lap Rearward</p> <p>COMPT, RIGHT SIDE FRONT</p> <p>Full Height Roll-Up Forward</p> <p>COMPT, RIGHT SIDE REAR</p> <p>Low Height Lap Rearward</p>	<p>WATER TANK</p> <p>500 Gallon Poly Water Tank</p> <p>Foam System</p> <p>Foam System Not Required</p> <p>Foam Cell</p> <p>Foam Cell Not Required</p>
--	--



<p>CHASSIS</p> <p>Enforcer Chassis</p> <p>ENGINE</p> <p>450 HP Cummins L9 Engine</p>	<p>CAB</p> <p>7000 Enforcer Cab</p> <p>BUMPER</p> <p>19" Extended Stainless Steel</p>	<p>AXLE, FRONT, CUSTOM</p> <p>22,800 Lb TAK-4 Axle</p> <p>AXLE, REAR</p> <p>48,000 Lb Meritor Axle</p>	<p>TRANSMISSION</p> <p>Allison 5th Gen, 3000 EV5 P</p>	<p>PUMPHOUSE</p> <p>58" Control Zone Side Mount</p> <p>PUMP</p> <p>2000 GPM Waterous CSU</p>	<p>CROSSLAYS, 1.50"</p> <p>(1) 1.50" for 200' of 1.75"</p> <p>(1) 1.50" for 250' of 1.75"</p> <p>(1) 1.50" for 300' of 1.75"</p>	<p>CROSSLAYS, 2.50"</p> <p>(1) 2.50" for 250' of 2.50"</p> <p>GENERATOR</p> <p>Generator Not Required</p>
<p>NOTE</p> <p>DIMENSIONS SHOWN ARE APPROXIMATE AND ARE SUBJECT TO MINOR DEVIATIONS AS MAY OCCUR OR BE NECESSARY IN CONSTRUCTION. MINOR DETAILS NOT SHOWN.</p>						
<p>1. SHORELINE RECEPTACLE WITH KUSSMAUL SUPER AUTO-EJECT LOCATED ON THE DRIVER SIDE SEAT RISER</p> <p>2. AIR INLET WITH DISCONNECT COUPLING LOCATED ON THE DRIVER SIDE SEAT RISER</p> <p>3. BATTERY CHARGER LOCATED BEHIND DRIVER'S SEAT</p> <p>4. BATTERY CHARGER INDICATOR BEHIND DRIVER'S SEAT DISPLAYED THROUGH WINDOW</p> <p>5. DUAL L.E.D. LIGHT STRIPS LOCATED IN HOSE BED</p> <p>6. TWO ELASTIC PULL STRAP ON DOOR IN COMPARTMENTS PER SHOP ORDER</p> <p>7. FOUR ADJUSTABLE FULL WIDTH/FULL DEPTH SHELVES IN COMPARTMENTS PER SHOP ORDER</p> <p>8. FOUR ADJUSTABLE TILTING SLIDE-OUT TRAY IN COMPARTMENT PER SHOP ORDER</p> <p>9. TWO SLIDE-OUT TOOL BOARDS WITH PEGBOARD PATTERN IN COMPARTMENTS PER SHOP ORDER</p> <p>10. ONE CTECH 5-DRAWER ASSEMBLY IN COMPARTMENT PER SHOP ORDER</p> <p>11. ONE VERTICAL PARTITION IN COMPARTMENT PER SHOP ORDER</p> <p>12. VERTICAL AND HORIZONTAL CROSSLAY ROLLERS</p> <p>13. ONE 120V 6-PLACE RECEPTACLE STRIP LOCATED IN CAB PER SHOP ORDER</p> <p>14. ONE 120V DUPLEX RECEPTACLE LOCATED IN CAB PER SHOP ORDER</p> <p>15. TWO 120V DUPLEX RECEPTACLES LOCATED IN COMPARTMENTS PER SHOP ORDER</p> <p>16. 3.00" RAISED AERIAL PEDESTAL</p> <p>17. LIFTING EYE ROPE RESCUE ATTACHMENT AT AERIAL TIP</p> <p>18. 1500 GPM HIGH FLOW WATERWAY</p> <p>19. LIMITED RETRACTION NOT REQUIRED</p>						

<p>Pierce MANUFACTURING INC.</p>		<p>JOB NO. 35885</p>
<p>SCALE 1:24</p>		<p>DATE</p>
<p>TITLE</p> <p>107' ASCENDANT AERIAL LADDER AND BODY ASSEMBLY</p>	<p>DRAWN BY TKA</p> <p>07JAN21</p>	<p>CHECKED BY NDA</p> <p>7JAN21</p>
<p>FOR</p> <p>SALINA CONSOLIDATED FIRE DEPARTMENT</p> <p>MATTYDALE, NY</p>	<p>SHEET SIZE</p> <p>D</p>	<p>SHEET NO.</p> <p>1 OF 1</p>
<p>DWG NO.</p> <p>35885AD</p>		