

PUMPER BODY
Long Aluminum 2nd Gen Pumper

CHASSIS
Enforcer Chassis

CHASSIS AXLE, FRONT, CUSTOM
20,000 Lb Dana Axle

AXLE, REAR
27,000 Lb Dana Axle

ENGINE
450 HP Cummins L9 Engine

TRANSMISSION
Allison 5th Gen, 3000 EVS P

BUMPER
22" Extended Painted Steel Underslung

CAB
7010 Enforcer Cab

BODY WATER TANK
900 Gallon Poly Water Tank

COMPT, PUMPER, REAR
51.25" FF RollUp Rear Compt

COMPT, PUMPER, LEFT SIDE
161" RollUp Full Height Front & Rear FDLR

COMPT, PUMPER RIGHT SIDE
161" RollUp Full Height Front & Rear FDLR

FIRE SUPPRESSION PUMPHOUSE
45" Control Zone Top Mount

PUMP
1500 GPM Waterous CSU

CROSSLAYS, 1.50"
1.50" Crosslays Not Required

CROSSLAYS, 2.50"
2.50" Crosslay Not Required

SPEEDLAYS
(2) 1.50" w/Tray Std. Capacity

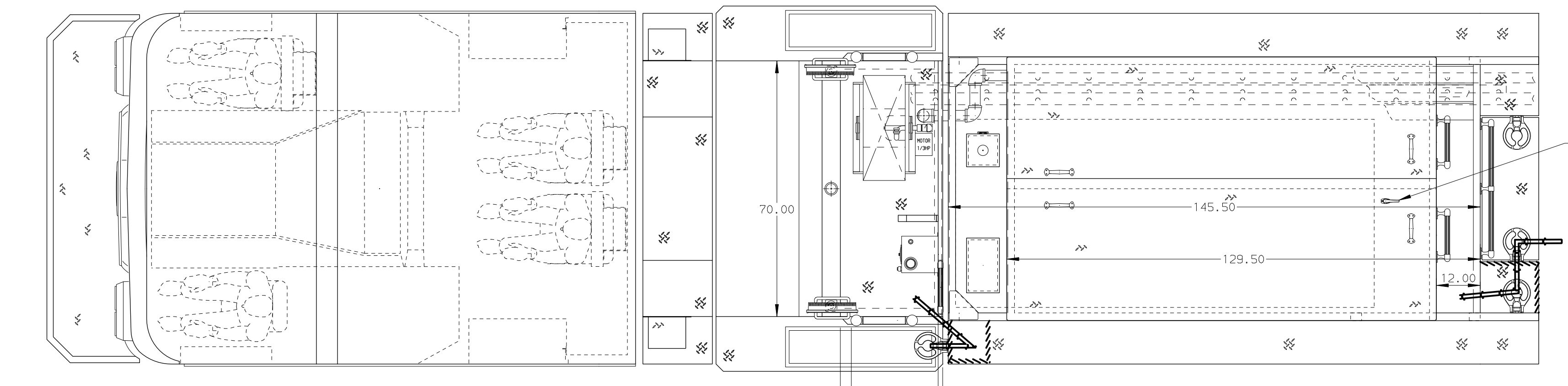
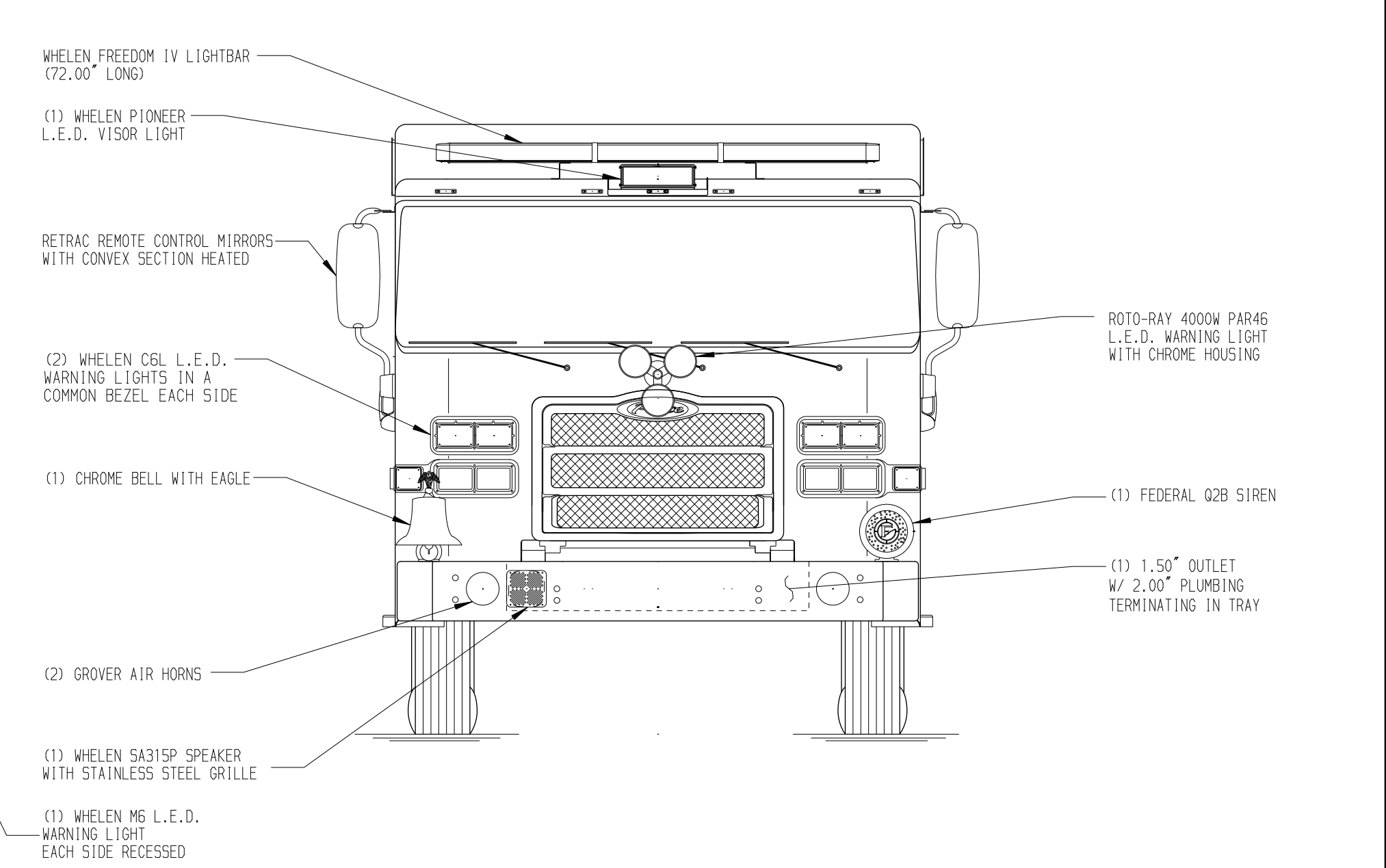
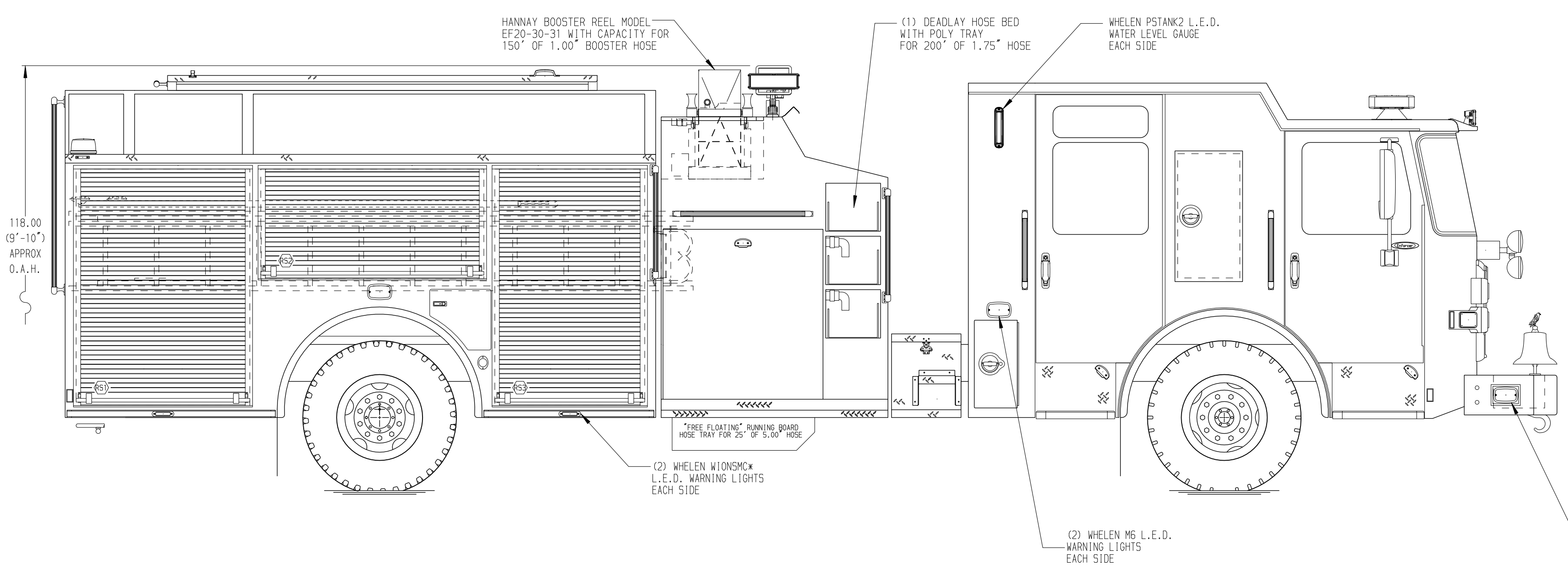
GENERATOR
Generator Not Required

Foam System
Husky 12 Single Agent Foam System

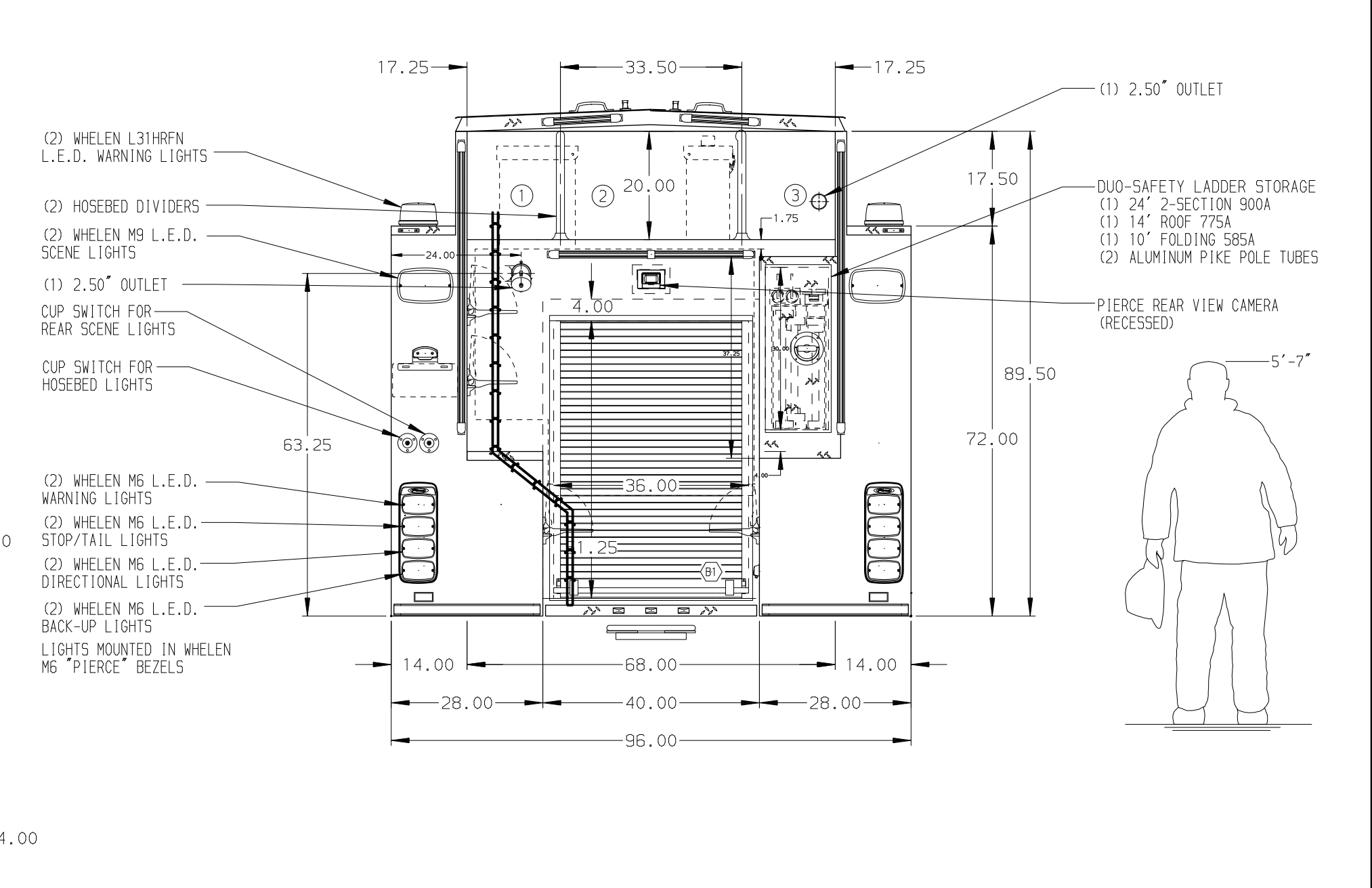
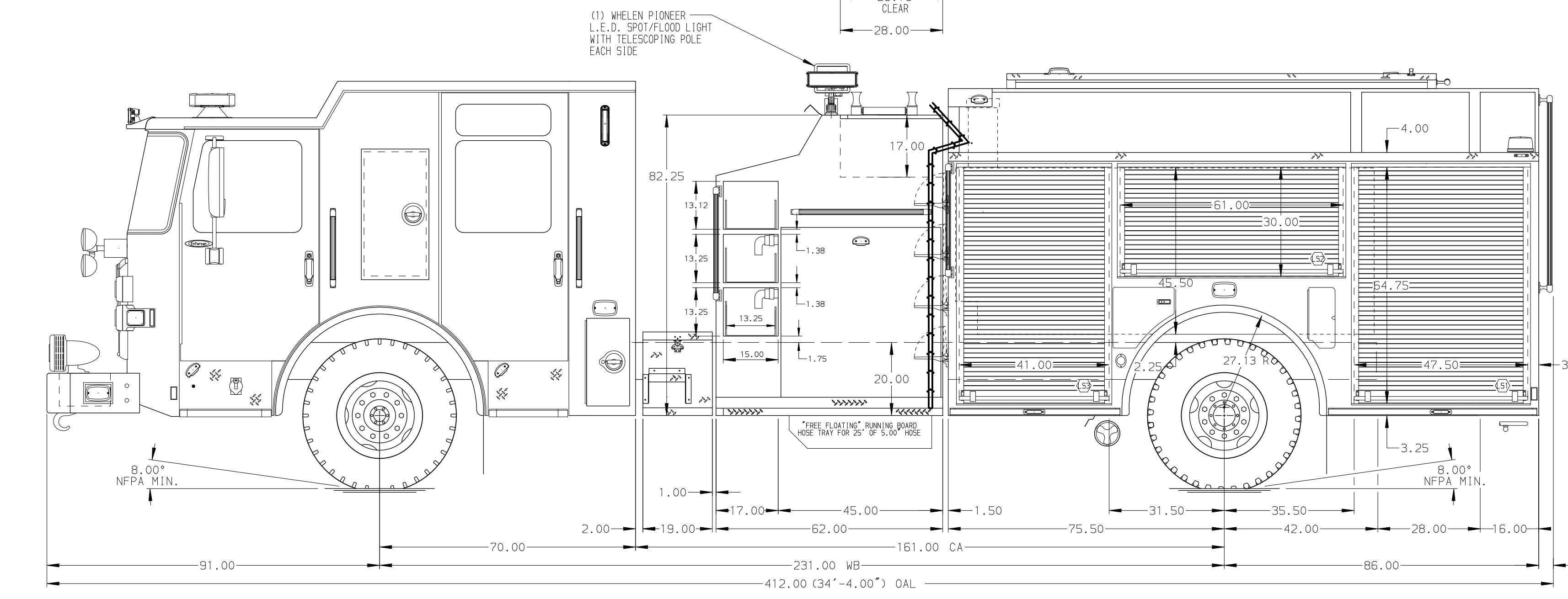
Foam Cell
20 Gallon Foam Cell, Not Reduced Water

NOTE
DIMENSIONS SHOWN ARE APPROXIMATE AND ARE SUBJECT TO MINOR DEVIATIONS AS MAY OCCUR OR BE NECESSARY IN CONSTRUCTION.
MINOR DETAILS NOT SHOWN.

- 1. BATTERY CHARGER LOCATED IN COMPARTMENT PER SHOP ORDER
- 2. BATTERY CHARGE INDICATOR LOCATED ON DRIVER'S SEAT RISER
- 3. SIX ADJUSTABLE SHELVES LOCATED PER SHOP ORDER
- 4. FOUR FLOOR MOUNTED SLIDE-OUT TRAYS LOCATED PER SHOP ORDER
- 5. ONE ALUMINUM SWING-OUT TOOLBOARD LOCATED PER SHOP ORDER
- 6. AIR INLET W/ DISCONNECT COUPLING LOCATED IN DRIVER'S STEP AREA
- 7. AIR OUTLET W/ SHUT OFF VALVE LOCATED ON DRIVER'S SIDE PUMP PANEL
- 8. 120V SHORELINE RECEPTACLE LOCATED IN DRIVER'S STEP AREA
- 9. XANTREX XPOWER 337W POWER INVERTER BEHIND DRIVER SEAT
- 10. TWO 120V DUPLEX RECEPTACLES LOCATED PER SHOP ORDER
- 11. ONE ADJUSTABLE SLIDE-OUT TRAY LOCATED PER SHOP ORDER



HOSEBED CAPACITY	
BED 1	500' OF 3.00" D.J. POLY HOSE
BED 2	1050' OF 5.00" D.J. POLY HOSE
BED 3	500' OF 3.00" D.J. POLY HOSE



		JOB NO.	35884
		SCALE	DATE
TITLE	PIERCE PUMPER APPROVAL DRAWING		
FOR	VENICE FIRE DEPARTMENT		
DWG NO.	35884AD		
REV	DATE	BY	CH
08APR21		MMF	PPE
24FEB21		MMF	PPE
SHEET SIZE		SHEET NO.	
D		1 OF 1	