

PUMPER BODY

Long Aluminum 2nd Gen Pumper

CHASSIS

Enforcer Chassis

CHASSIS AXLE, FRONT, CUSTOM

22,800 Lb TAK-4 Axle

AXLE, REAR

27,000 Lb Meritor Axle

ENGINE

500 HP Cummins X12 Engine

TRANSMISSION

Allison 5th Gen, 4000 EVS P

BUMPER

22" Extended Stainless Steel

CAB

7010 Enforcer Cab

BODY WATER TANK

1000 Gallon Poly Water Tank

COMPT, PUMPER, REAR

44.50" FF RollUp Rear Compt

COMPT, PUMPER, LEFT SIDE

161" RollUp Full Height Front & Rear FDLR

COMPT, PUMPER, RIGHT SIDE

161" RollUp Full Height Front & Rear FDLR

FIRE SUPPRESSION PUMPHOUSE

45" Control Zone Side Mount

PUMP

2000 GPM Waterous CSU

CROSSLAYS, 1.50"

1.50" Crosslays Not Required

CROSSLAYS, 2.50"

(1) 2.50" Standard Capacity

SPEEDLAYS

(2) 1.50" W/Troy Std. Capacity

GENERATOR

Generator Not Required

Foam System

Husky 12 Dual Agent Foam System

Foam Cell

30 Gallon Foam Cell, Not Reduced Water

50 Gallon Foam Cell, Not Reduced Water

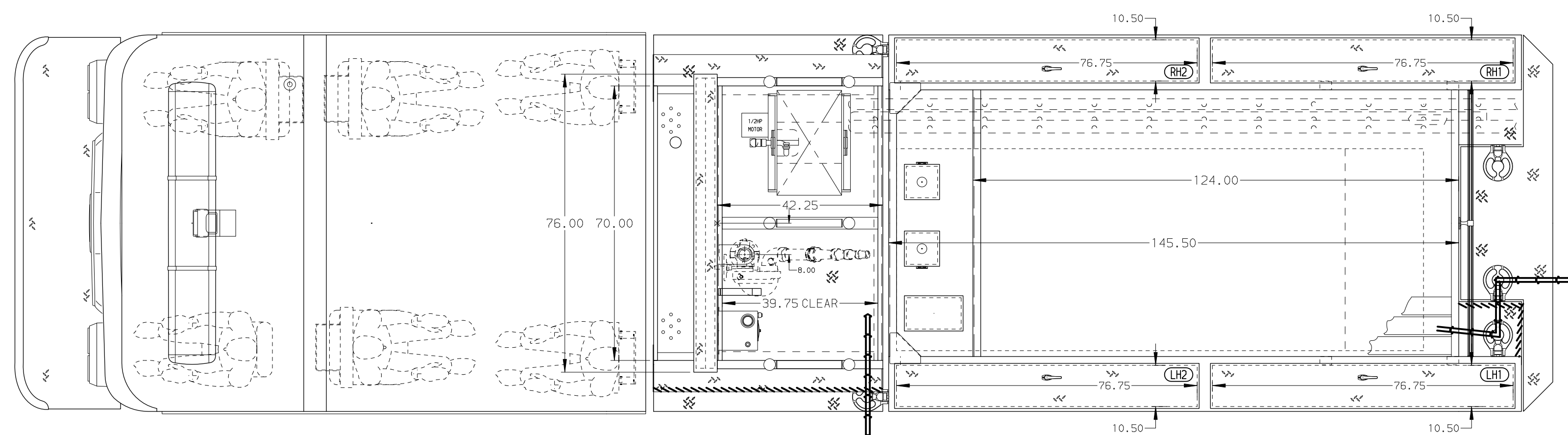
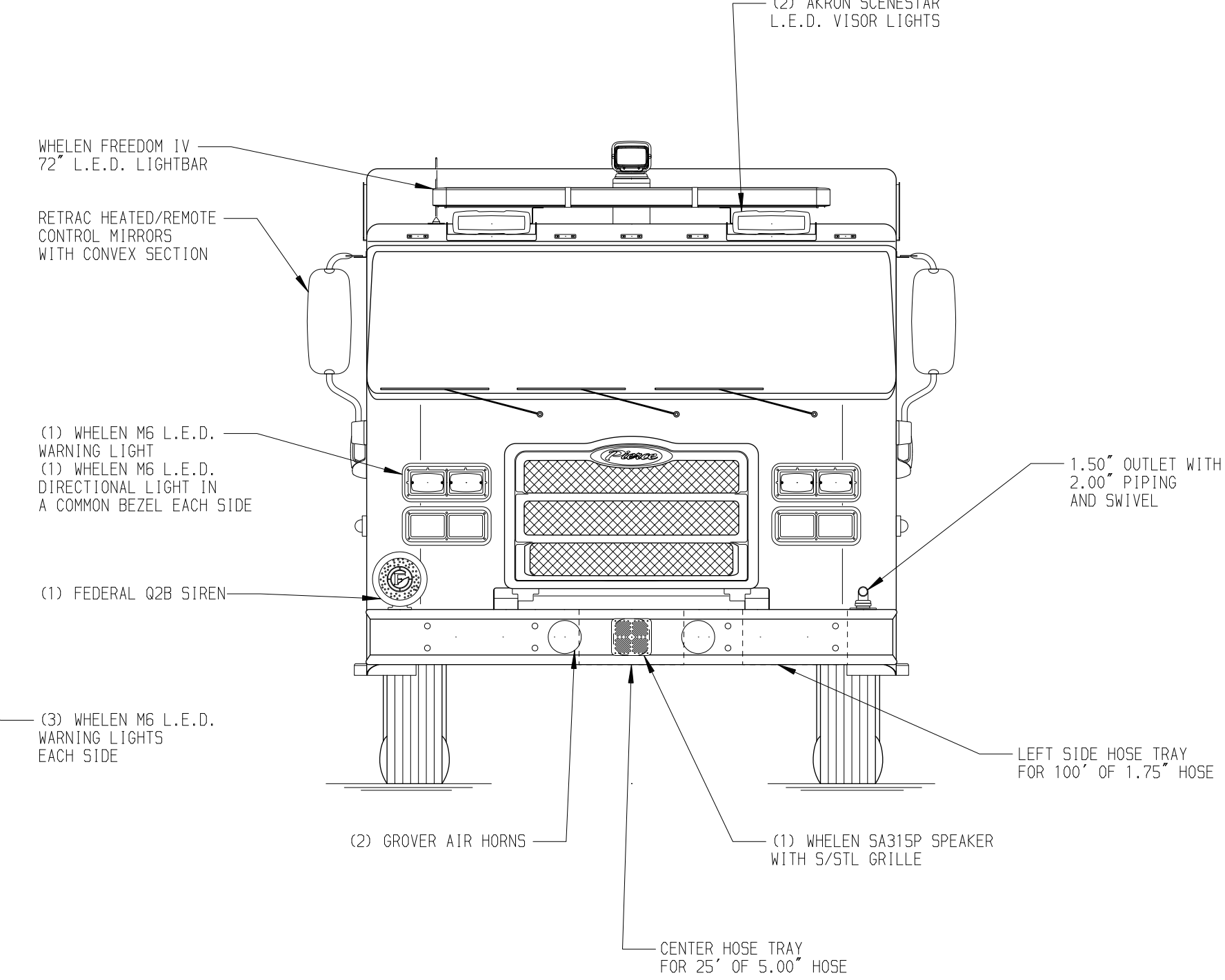
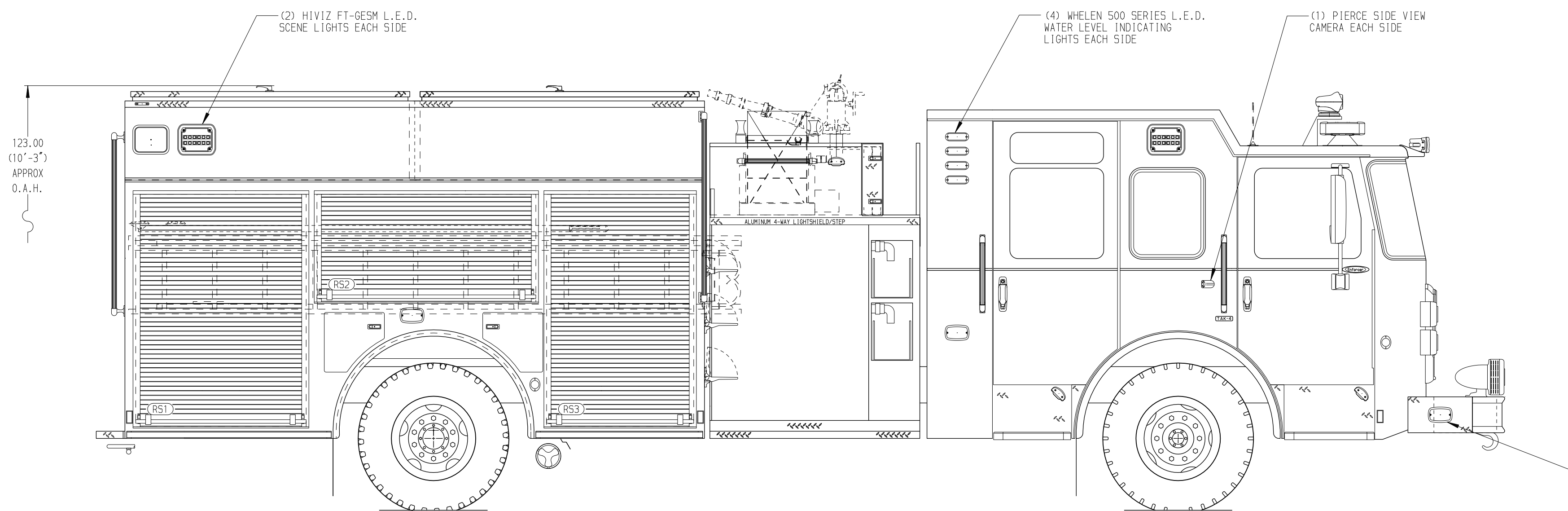
Side Roll and Frontal Impact Protection

NOTE

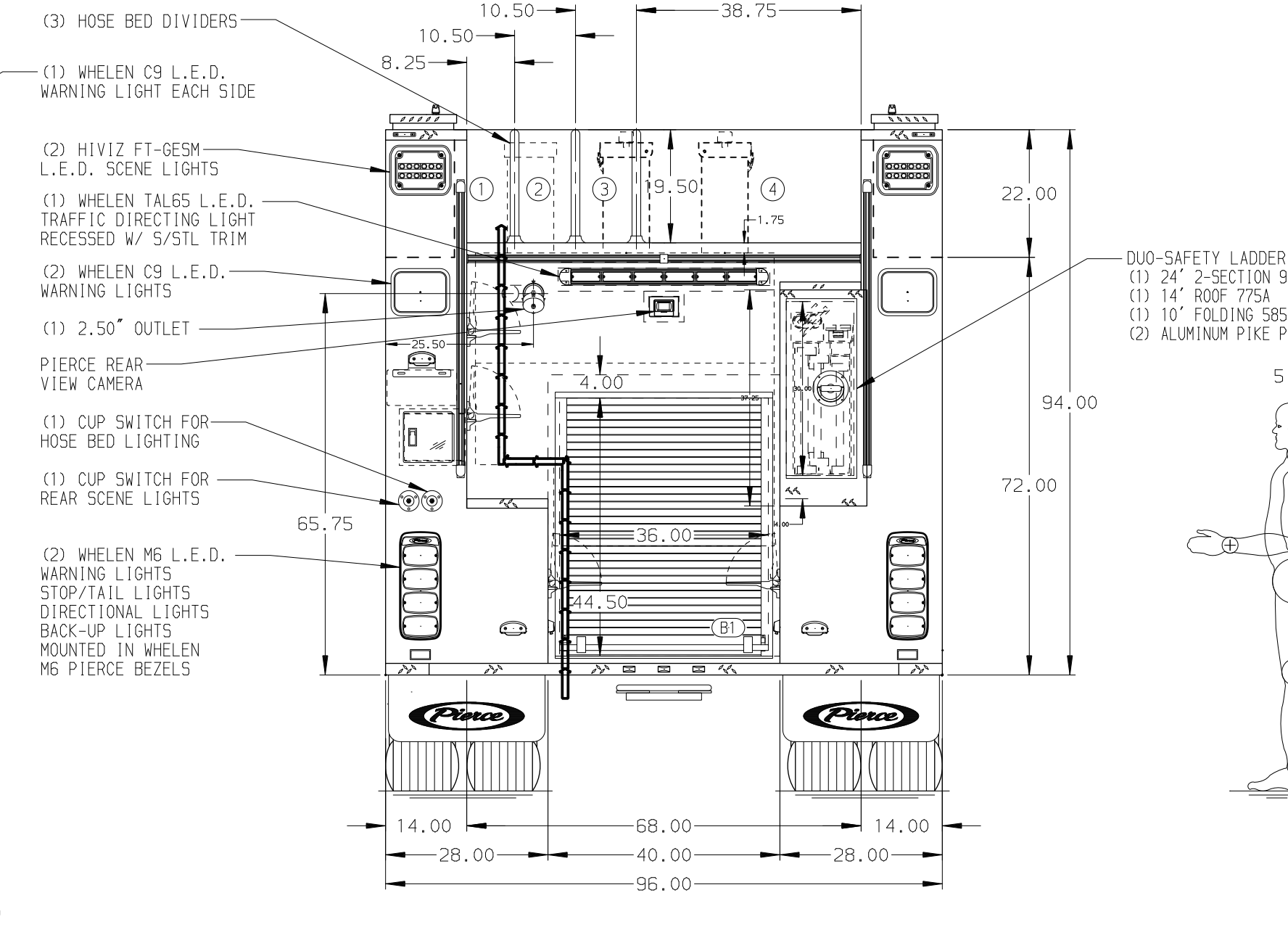
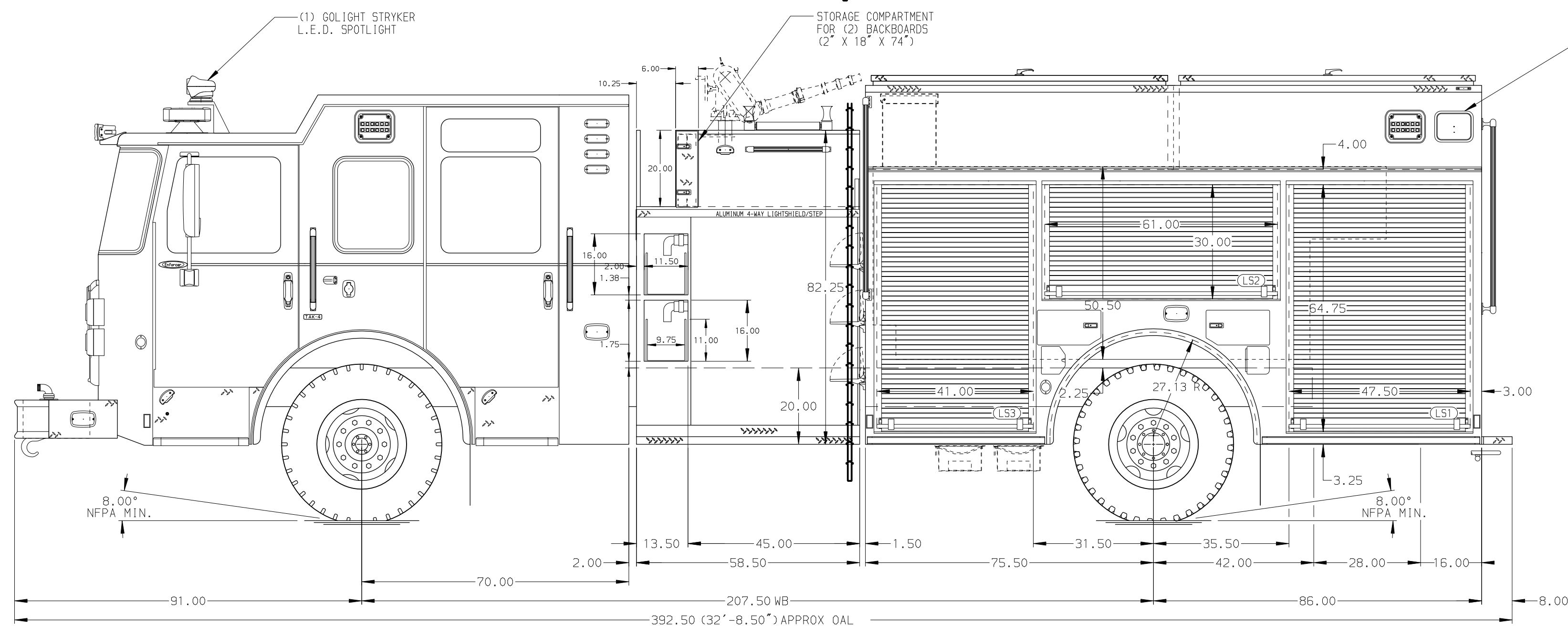
DIMENSIONS SHOWN ARE APPROXIMATE AND ARE SUBJECT TO MINOR DEVIATIONS AS MAY OCCUR OR BE NECESSARY IN CONSTRUCTION. MINOR DETAILS NOT SHOWN.

1. SHORELINE RECEPTACLE WITH KUSSMAUL SUPER AUTO-EJECT LOCATED ON DRIVER SIDE OF THE CAB
2. AIR INLET WITH DISCONNECT COUPLING IN THE DRIVER SIDE STEPWELL
3. AIR OUTLET WITH SHUT OFF VALVE LOCATED ON DRIVER SIDE PUMP PANEL
4. BATTERY CHARGER LOCATED IN COMPARTMENT PER SHOP ORDER
5. BATTERY CHARGE INDICATOR LOCATED ON THE DRIVER SIDE SEAT RISER
6. FIVE ADJUSTABLE SHELVES LOCATED PER SHOP ORDER
7. THREE FLOOR MOUNTED SLIDE-OUT TRAYS LOCATED PER SHOP ORDER
8. ONE ADJUSTABLE SLIDE-OUT TRAY LOCATED PER SHOP ORDER
9. ONE SWING-OUT TOOLBOARD LOCATED PER SHOP ORDER
10. ONE 120V RECEPTACLE LOCATED PER SHOP ORDER

11. HANNAY BOOSTER REEL MODEL EF24-28-29 WITH 2.00" PIPING FOR 200' OF 1.00" BOOSTER HOSE LOCATED IN CARGO AREA



HOSEBED CAPACITY	
BED 1	300' OF 1.75" D.J. POLY HOSE
BED 2	500' OF 2.50" D.J. POLY HOSE
BED 3	500' OF 2.50" D.J. POLY HOSE
BED 4	1000' OF 5.00" D.J. POLY HOSE



		JOB NO.	35871
		SCALE	DATE
TITLE	Pierce Pumper Approval Drawing	DRAWN BY	COL
FOR	Olive Branch MS	CHECKED BY	MMF
DWG NO.	35871AD	SHEET SIZE	D
		SHEET NO.	1 OF 1

REV	DATE	BY	CH	ENFORCER
28JUL21	COL	CSH	MAKE	
14JUN21	COL	CSH	PIERCE	
30APR21	COL	CSH	MODEL	