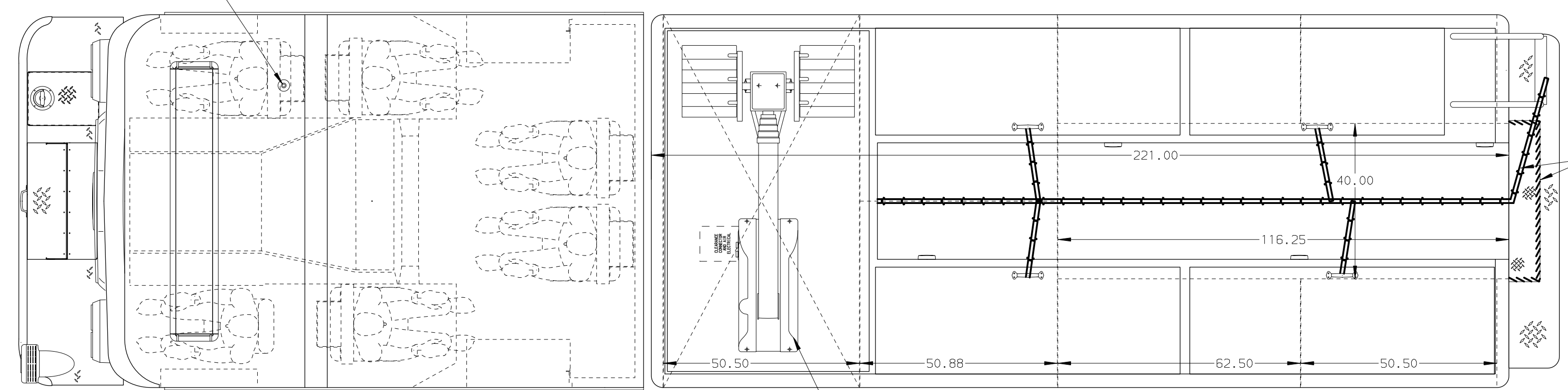
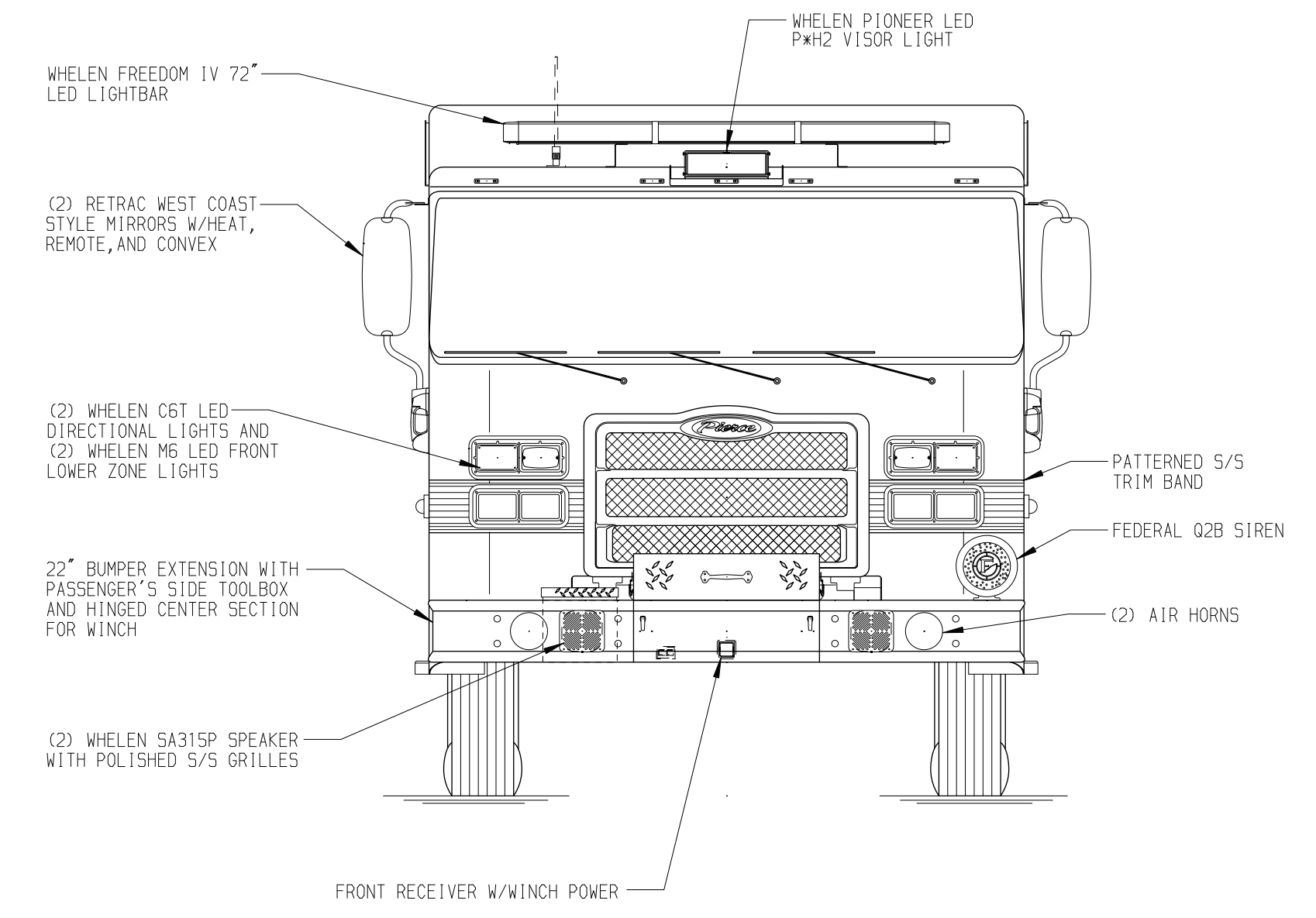
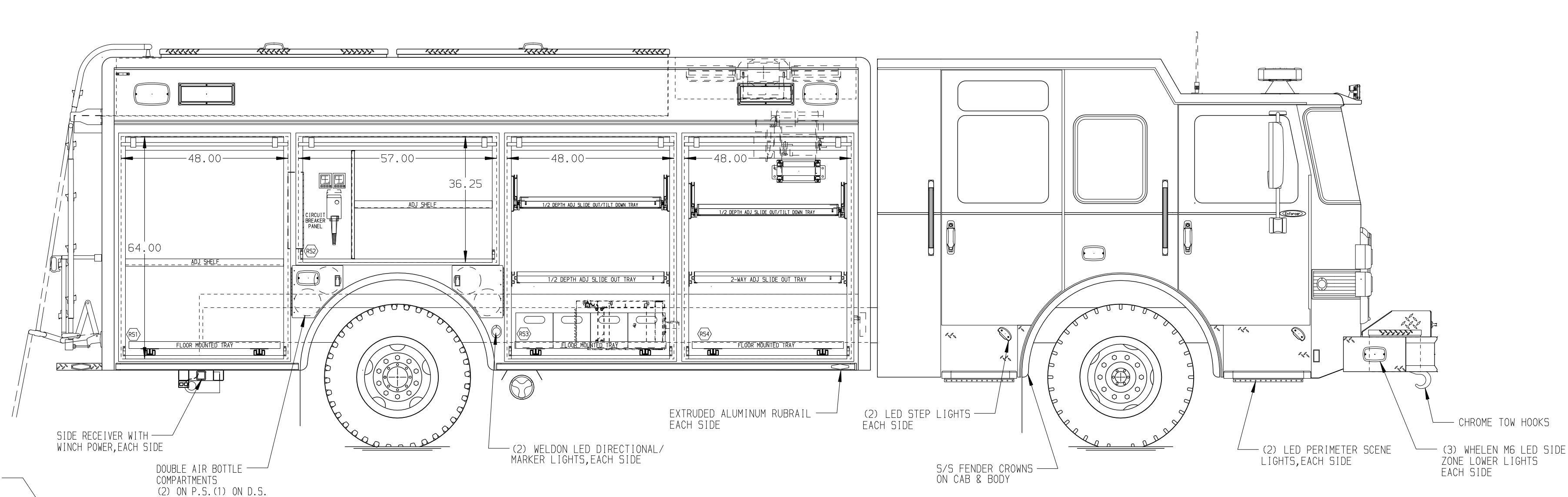


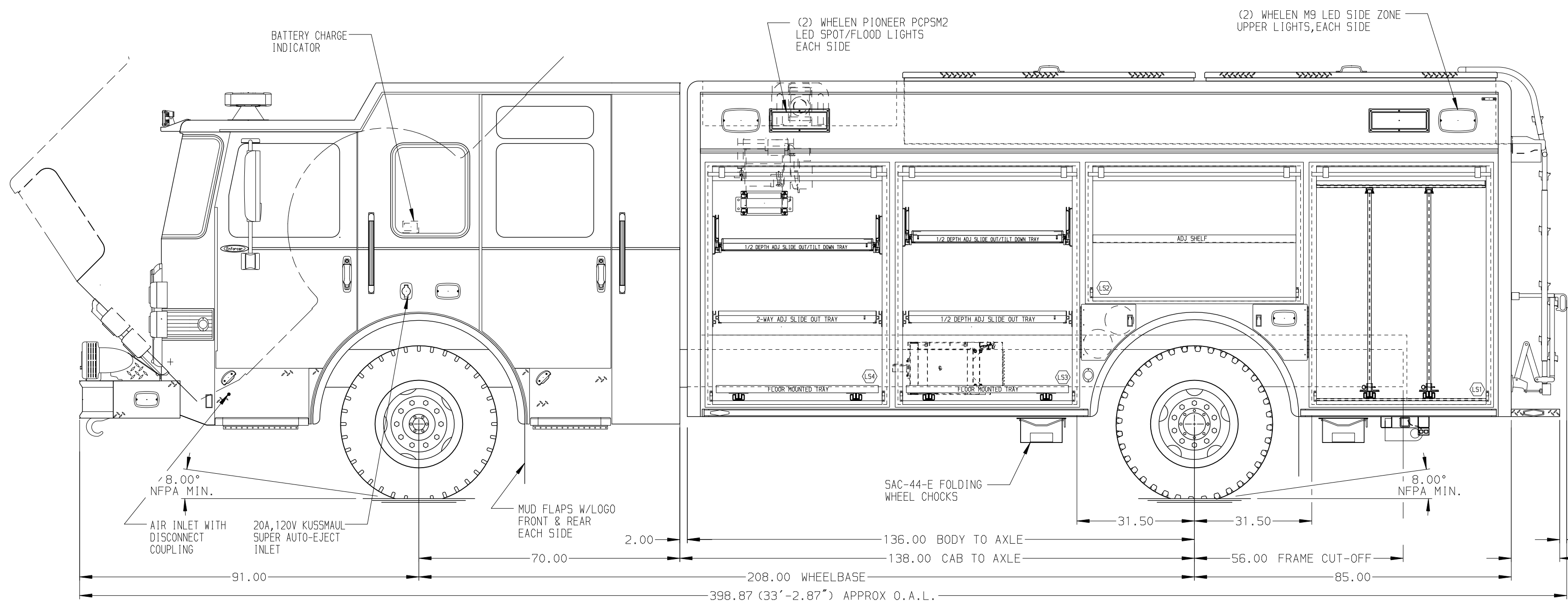
**PASSENGER'S SIDE COMPARTMENTS CONTAIN THE FOLLOWING:**

- COMPARTMENT P1 CONTAINS:**  
 - (1) FLOOR MOUNTED TRAY  
 - (1) STD DEPTH ADJ SHELF
- COMPARTMENT P2 CONTAINS:**  
 - (1) VERTICAL COMPARTMENT DIVIDER  
 - (1) CIRCUIT BREAKER PANEL  
 - (1) NIGHT SCAN CONTROLLER  
 - (1) GENERATOR METER PANEL  
 - (1) STD DEPTH ADJ SHELF
- COMPARTMENT P3 CONTAINS:**  
 - (1) 1/2 DEPTH ADJ SLIDE OUT/TILT TRAY  
 - (1) FLOOR MOUNTED TRAY  
 - (1) REAR WALL COMPARTMENT DIVIDER  
 - (1) 1/2 DEPTH ADJ SLIDE OUT TRAY  
 - (4) POLY TOOL BOXES
- COMPARTMENT P4 CONTAINS:**  
 - (1) 1/2 DEPTH ADJ SLIDE OUT/TILT TRAY  
 - (1) FLOOR MOUNTED TRAY  
 - (1) CAB LIFT CONTROLLER  
 - (1) 2-WAY ADJ SLIDE OUT TRAY  
 - (1) ELECTRIC CABLE REEL W/200' OF 10/3 YELLOW CORD & CAPTIVE ROLLER



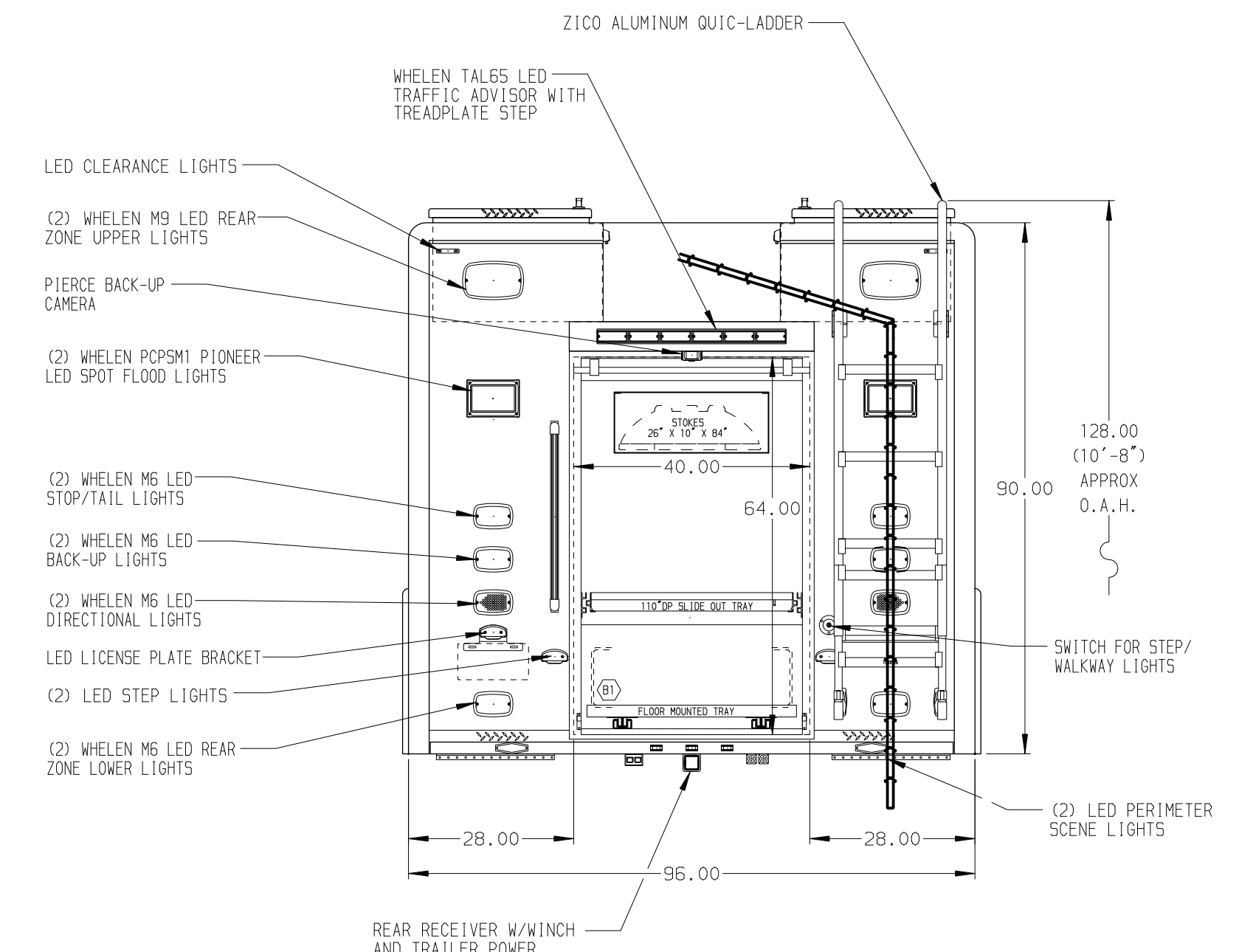
**REAR COMPARTMENT CONTAINS THE FOLLOWING:**

- COMPARTMENT R1 CONTAINS:**  
 - (1) 110" DP SLIDE OUT TRAY  
 - (1) FLOOR MOUNTED RACK  
 - (1) STOKES BASKET RACK



**DRIVER'S SIDE COMPARTMENTS CONTAIN THE FOLLOWING:**

- COMPARTMENT D1 CONTAINS:**  
 - (2) STD DEPTH ADJ SLIDE OUT TOOLBOARDS
- COMPARTMENT D2 CONTAINS:**  
 - (1) STD DEPTH ADJ SHELF
- COMPARTMENT D3 CONTAINS:**  
 - (1) 1/2 DEPTH ADJ SLIDE OUT/TILT TRAY  
 - (1) 1/2 DEPTH ADJ SLIDE OUT TRAY  
 - (1) FLOOR MOUNTED TRAY  
 - (1) REAR WALL COMPARTMENT DIVIDER
- COMPARTMENT D4 CONTAINS:**  
 - (1) 1/2 DEPTH ADJ SLIDE OUT/TILT TRAY  
 - (1) 2-WAY ADJ SLIDE OUT TRAY  
 - (1) FLOOR MOUNTED TRAY  
 - (1) ELECTRIC CABLE REEL W/200' OF 10/3 YELLOW CORD & CAPTIVE ROLLER



**NOTE**  
 DIMENSIONS SHOWN ARE APPROXIMATE AND ARE SUBJECT TO MINOR DEVIATIONS AS MAY OCCUR OR BE NECESSARY IN CONSTRUCTION. MINOR DETAILS NOT SHOWN.

- NOTES:**
1. WARN #9,000 PORTABLE WINCH
  2. FLOOR IN CAB AND CREW CAB TO BE PADDED RUBBER
  3. ELASTIC PULL STRAPS ON ALL BODY ROLL UP DOORS
  4. PIERCE LED LIGHT STRIPS IN ALL BODY AND HATCH COMPARTMENTS
  5. ONAN 25kW SINGLE PHASE PTO DRIVEN GENERATOR WITH SPLASH GUARD LOCATED BETWEEN THE FRAME RAILS
  6. 10TA 75 AMP BATTERY CHARGER LOCATED BEHIND THE DRIVER'S SEAT

(SIDE ROLL & FRONTAL IMPACT PROTECTION)

**CLEAR DOOR WIDTH KEY**

AMOR ROLL UP DOORS:	-2 1/4"
CURTAIN ROLL UP DOORS:	-2 1/2"
PIERCE DOUBLE LIP DOORS:	-4 1/4"
PIERCE LIFT-UP LIP DOORS:	-1 1/2"

(EX: 60" F-F - 2 1/4" = 57 3/4" CLEAR)  
 (F-F) = FRAME TO FRAME

**CUSTOMER APPROVAL**

APPROVED BY: \_\_\_\_\_  
 DATE: \_\_\_\_\_

REV	DATE	BY	CH
1	16MAR21	DHE	THS

**Pierce MANUFACTURING INC.**

TITLE: HEAVY DUTY RESCUE NON-WALKIN  
 FOR: PIERCE STOCK  
 MODEL: EN7010

JOB NO.	35870
SCALE	1:24
DATE	
DRAWN BY	DHE
CHECKED BY	CDK
SHEET NO.	02DEC20
SHEET SIZE	D
SHEET NO.	1 OF 1

35870AD