

**RIGHT SIDE COMPARTMENTS CONTAIN THE FOLLOWING:**

COMPARTMENT RS1 CONTAINS:  
 - (1) RACK FOR 10 SCBA BOTTLES  
 - (1) FIXED SHELF  
 - (1) BREATHING AIR BOOSTER PUMP  
 - (1) CASCADE SYSTEM CONTROL PANEL  
 - (1) SPACE SAVER 2-BOTTLE FILL ENCLOSURE  
 - (1) RACK FOR LITTLE GIANT LADDER

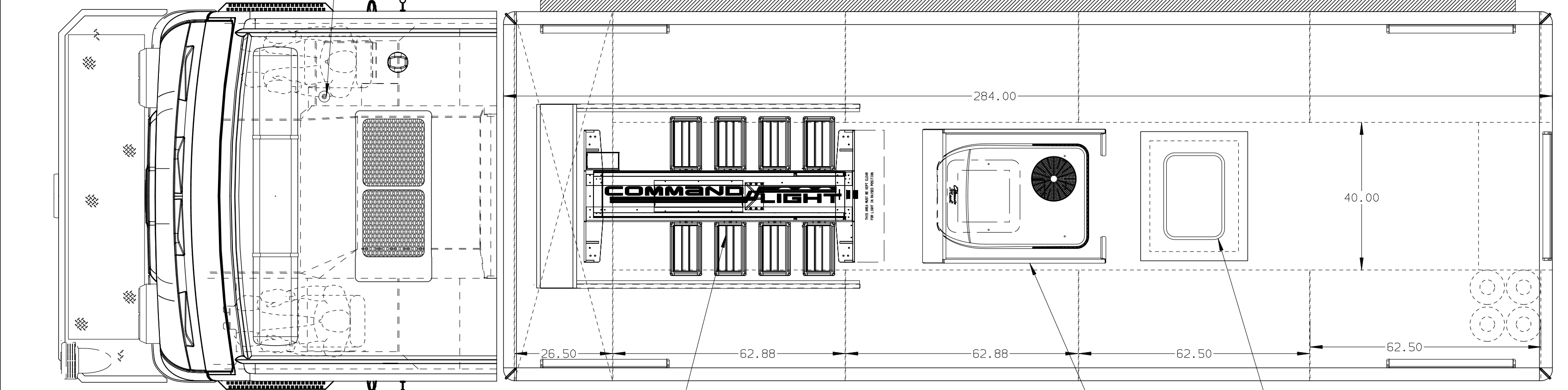
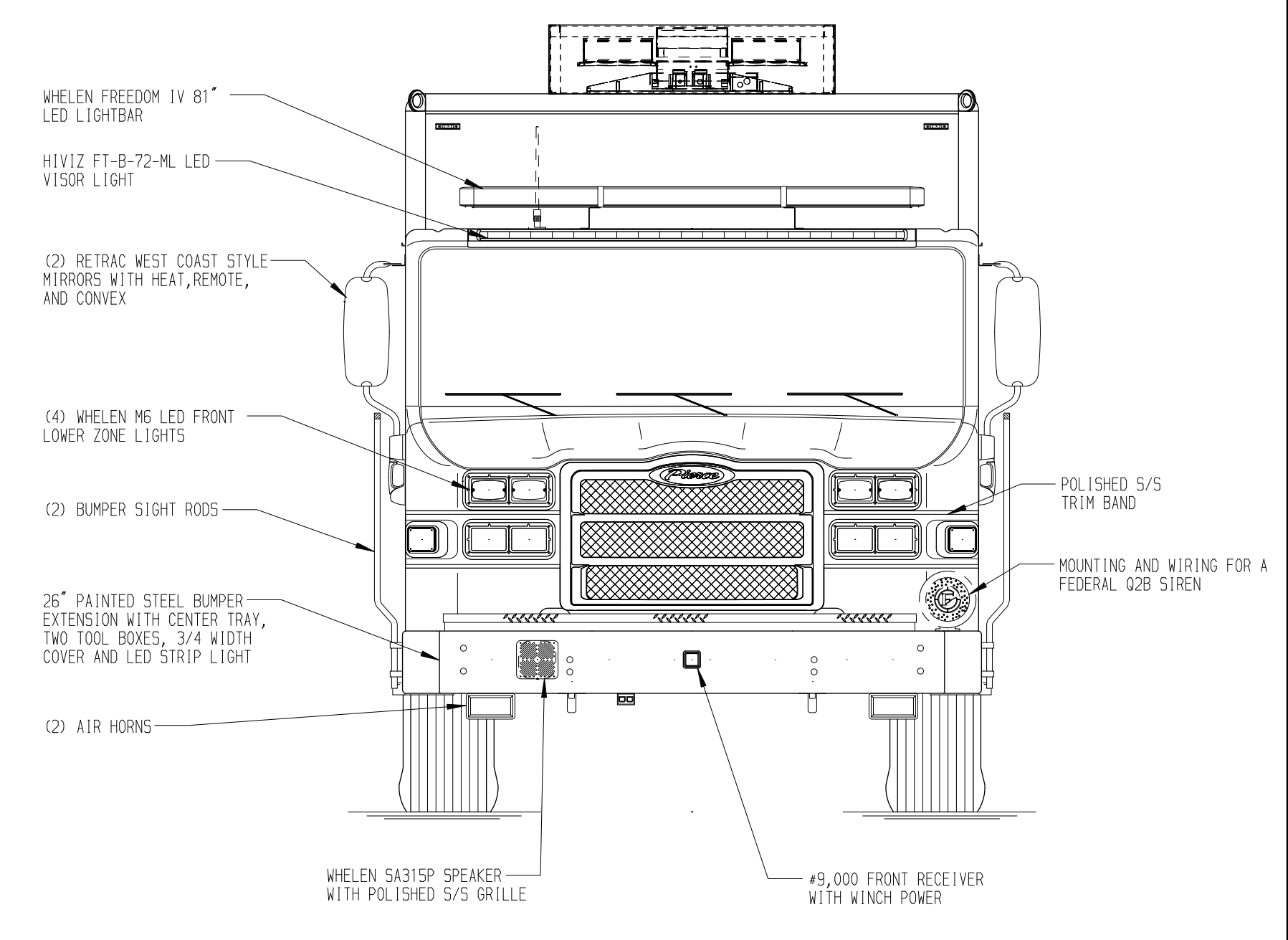
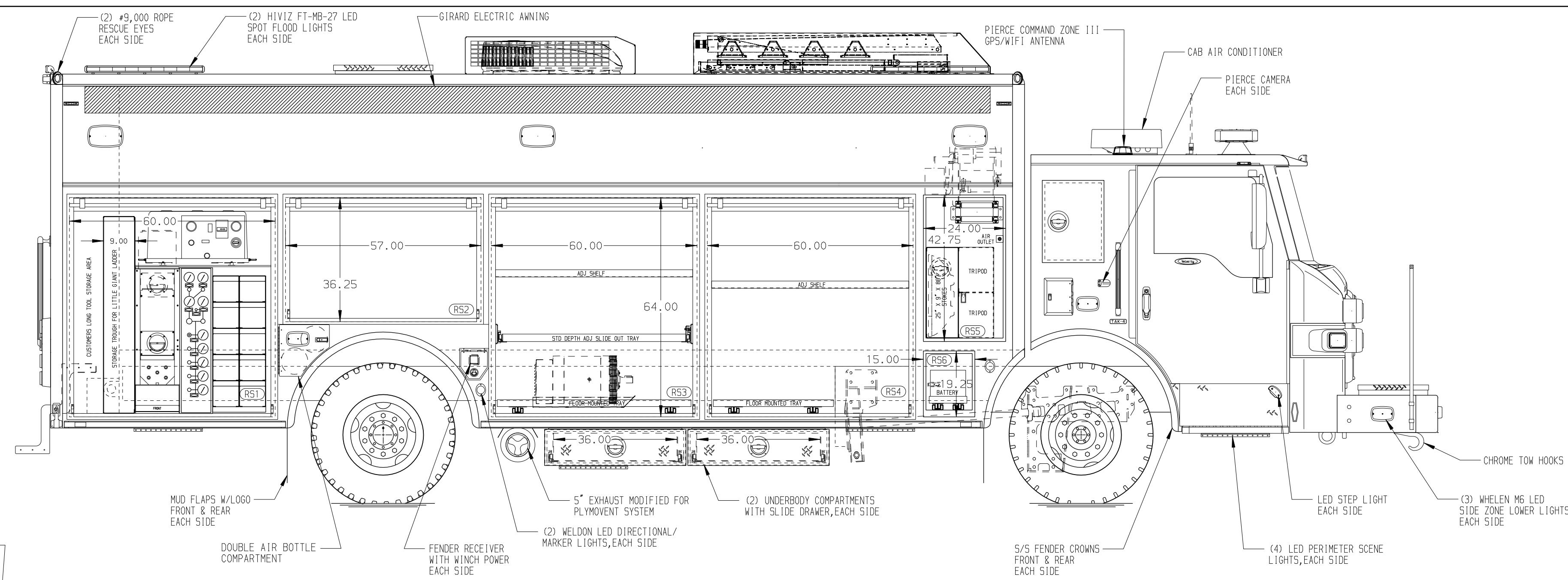
COMPARTMENT RS2 CONTAINS:  
 - PEGBOARD ON REAR WALL OF COMPARTMENT

COMPARTMENT RS3 CONTAINS:  
 - (1) STD DEPTH ADJ SHELF  
 - (1) STD DEPTH ADJ SLIDE OUT TRAY  
 - (1) FLOOR MOUNTED TRAY

COMPARTMENT RS4 CONTAINS:  
 - (1) STD DEPTH ADJ SHELF  
 - (1) FLOOR MOUNTED TRAY  
 - PEGBOARD ON REAR WALL OF COMPARTMENT

COMPARTMENT RS5 CONTAINS:  
 - (1) RACK FOR 2 RESCUE TRIPODS  
 - (1) STOKES BASKET RACK  
 - (1) ELECTRIC CORD REEL WITH 200' OF 10/4 YELLOW CORD  
 - (1) AIR OUTLET WITH SHUT OFF VALVE

COMPARTMENT RS6 CONTAINS:  
 - CHASSIS BATTERIES ON SLIDE OUT TRAY



**LEFT SIDE COMPARTMENTS CONTAIN THE FOLLOWING:**

COMPARTMENT LS1 CONTAINS:  
 - (1) STD DEPTH ADJ SHELF  
 - (1) FLOOR MOUNTED TRAY  
 - (1) VERTICAL COMPARTMENT DIVIDER  
 - (4) 6000 UN AIR STORAGE BOTTLES

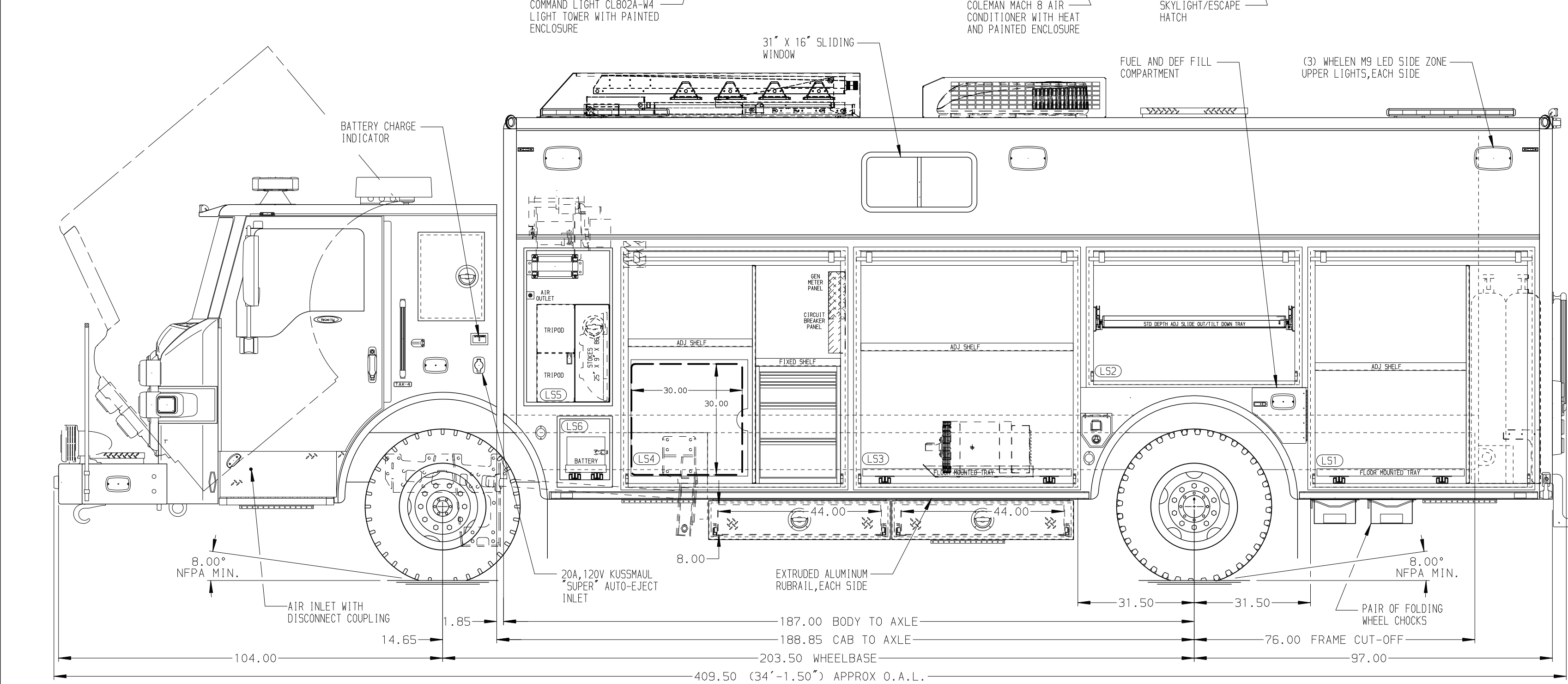
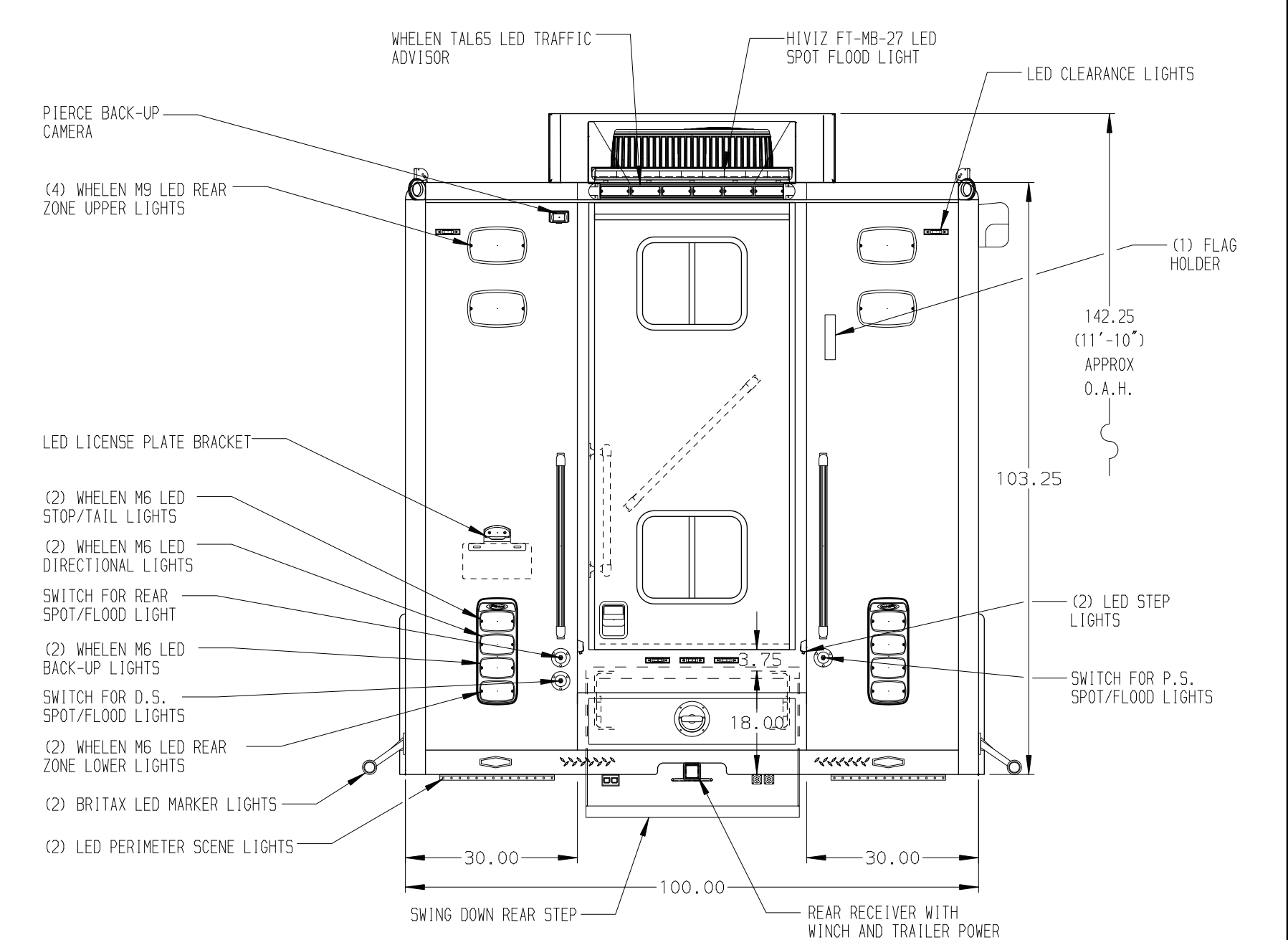
COMPARTMENT LS2 CONTAINS:  
 - (1) STD DEPTH ADJ SLIDE OUT/TILT TRAY

COMPARTMENT LS3 CONTAINS:  
 - (1) STD DEPTH ADJ SHELF  
 - (1) FLOOR MOUNTED TRAY  
 - PEGBOARD ON REAR WALL OF COMPARTMENT

COMPARTMENT LS4 CONTAINS:  
 - (1) KUSSMAUL PUMP PLUS 1200 CHARGER  
 - (1) STD DEPTH ADJ SHELF  
 - (1) FIXED SHELF  
 - (1) SWING OUT RACK FOR 4 AIR BAGS  
 - (1) 4-DRAWER RESPOND READY CABINET  
 - (1) VERTICAL COMPARTMENT DIVIDER  
 - (1) CIRCUIT BREAKER PANEL  
 - (1) GENERATOR METER PANEL  
 - (1) COMMAND LIGHT CONTROLLER

COMPARTMENT LS5 CONTAINS:  
 - (1) RACK FOR 2 RESCUE TRIPODS  
 - (1) STOKES BASKET RACK  
 - (1) ELECTRIC CORD REEL WITH 200' OF 10/4 YELLOW CORD  
 - (1) AIR OUTLET WITH SHUT OFF VALVE

COMPARTMENT LS6 CONTAINS:  
 - CHASSIS BATTERIES ON SLIDE OUT TRAY



**NOTE**  
 DIMENSIONS SHOWN ARE APPROXIMATE AND ARE SUBJECT TO MINOR DEVIATIONS AS MAY OCCUR OR BE NECESSARY IN CONSTRUCTION. MINOR DETAILS NOT SHOWN.

**NOTES:**

- WARN #10,000 PORTABLE WINCH
- POLISHED 5/5 SCUFFPLATES ON CAB DOOR JAMBS
- ALUMINUM SHELF LOCATED BETWEEN THE EXTERIOR CABINETS ABOVE THE ENGINE TUNNEL WITH NETTING
- FLOOR IN CAB TO BE PADDED RUBBER
- PULL STRAPS ON ALL BODY ROLL-UP DOORS
- 5/5 GUARDS ON ALL BODY ROLL-UP DOORS
- LED LIGHTS IN ALL BODY COMPARTMENTS
- ONAN 25kW SINGLE PHASE PTO DRIVEN GENERATOR WITH SPLASH GUARD LOCATED BETWEEN THE FRAME RAILS
- 15/20A, 120V DUPLEX RECEPTACLE LOCATED ON REAR WALL OF CAB ABOVE SHELF

CLEAR DOOR WIDTH KEY		CHASSIS DATA	TITLE
AMOR ROLL UP DOORS:	-2 1/4"	04JUN21	DHE AZU
CORITITE ROLL UP DOORS:	-2 1/2"	04JUN21	DHE AZU
PIERCE DOUBLE LAP DOORS:	-4 1/4"	07APR21	DHE AZU
PIERCE LIFT-UP LAP DOORS:	-1 1/2"		
(EX: 60" F-F - 2 1/4" = 57 3/4" CLEAR)		REV	DATE BY CH
(F-F) = FRAME TO FRAME			

**Pierce MANUFACTURING INC.**

JOB NO. 35853

SCALE 1:24 DATE

DRAWN BY DHE 30MAR21

CHECKED BY AZU 31MAR21

SHEET SIZE SHEET NO. D 1 OF 1

FOR WEST FARGO FIRE DEPARTMENT WEST FARGO, ND

DWG NO. 35853AD-SH1