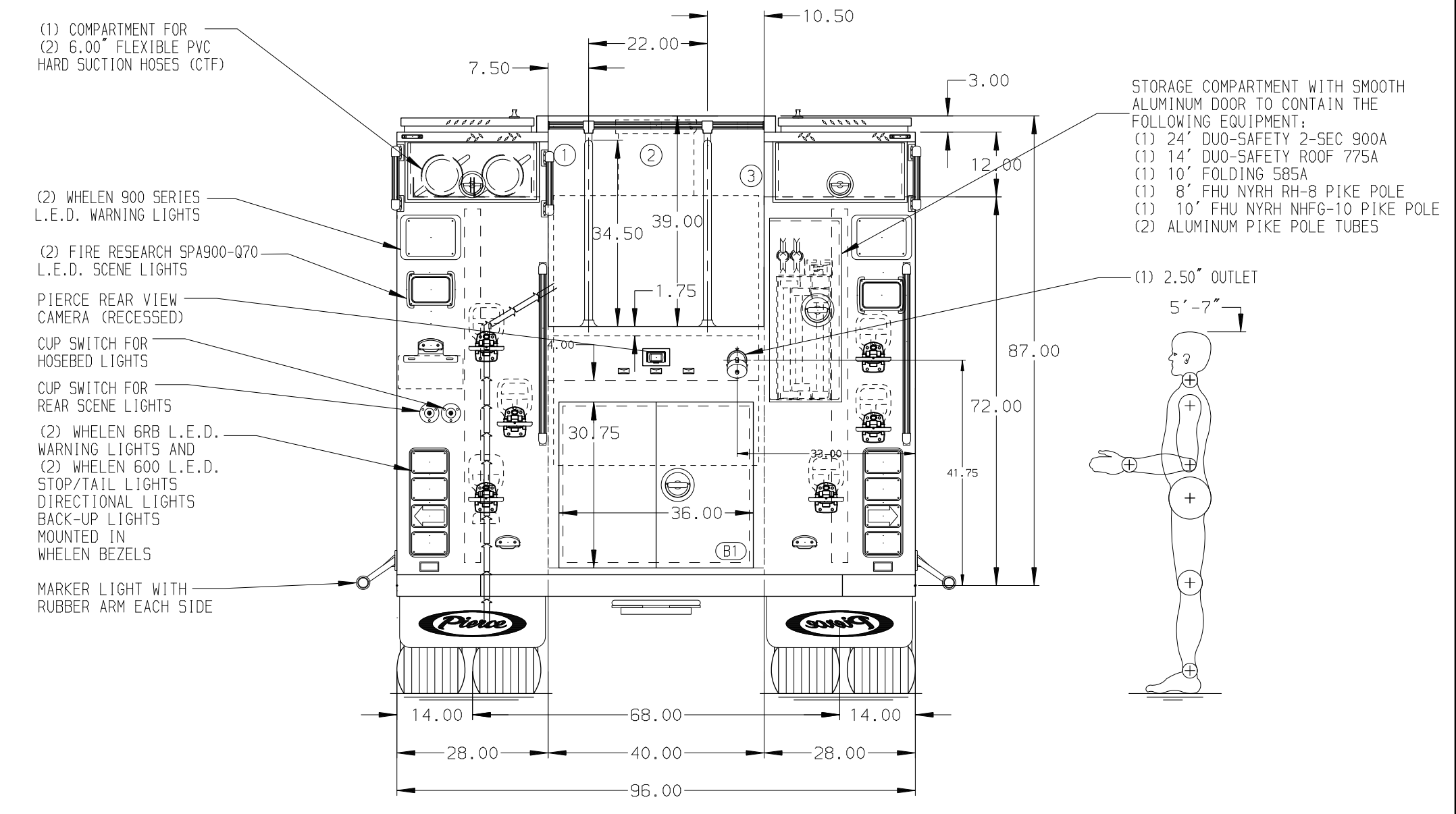
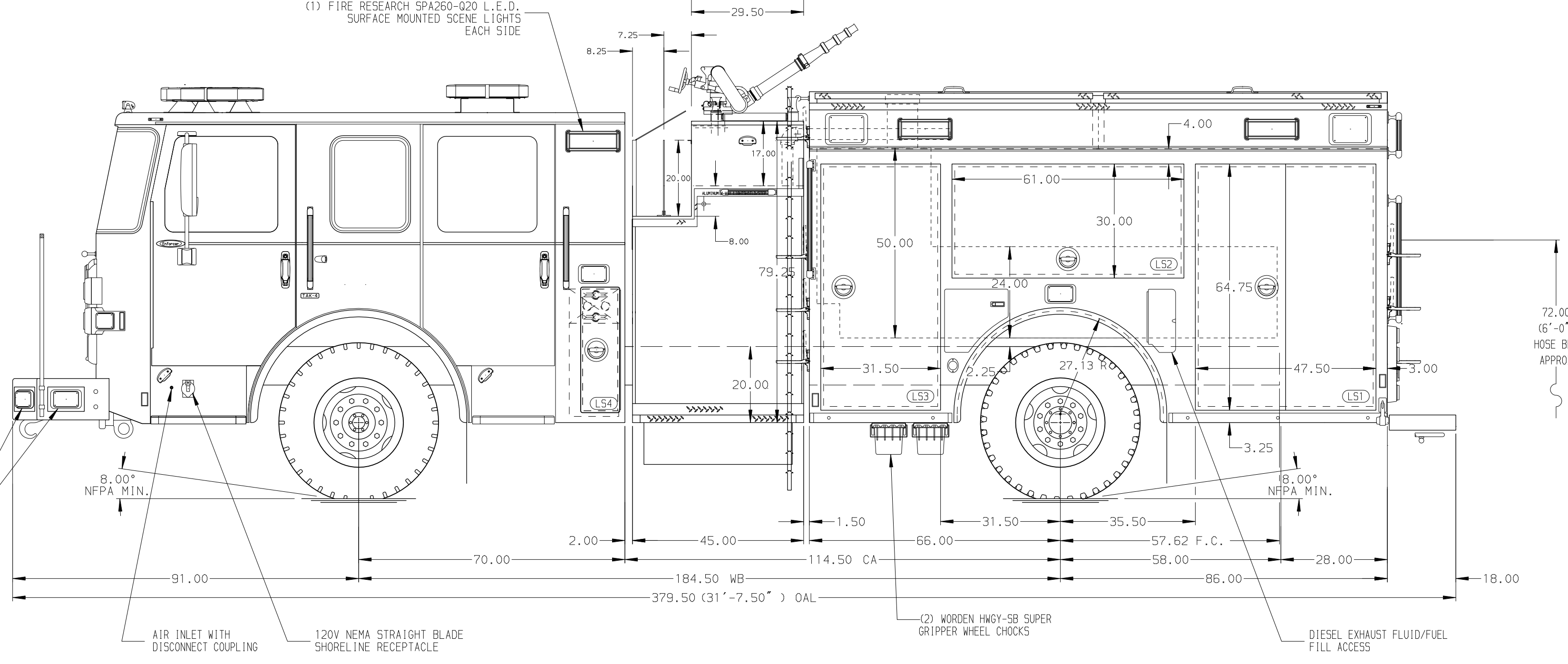


HOSEBED CAPACITIES

① - 400' OF 1.75" D.J. POLY HOSE

② - 1000' OF 4.00" SUPPLY HOSE

③ - 800' OF 2.50" D.J. POLY HOSE



ALUMINUM BODY

NOTE
DIMENSIONS SHOWN ARE APPROXIMATE AND ARE SUBJECT TO MINOR DEVIATIONS AS MAY OCCUR OR BE NECESSARY IN CONSTRUCTION. MINOR DETAILS NOT SHOWN.

1. KUSSMAUL BATTERY CHARGER LOCATED BEHIND DRIVER SEAT
2. BATTERY CHARGE INDICATOR LOCATED BEHIND CAB DOOR
3. DUAL L.E.D. LIGHT STRIPS LOCATED IN HOSE BED
4. ONE-FLOOR MOUNTED SLIDE-OUT TRAY IN COMPARTMENT B1
5. SIX 15A 120V RECEPTACLE LOCATED IN EACH SIDE BODY COMPARTMENT
6. PAINTED SHELF TRACKS LOCATED IN COMPARTMENTS L51, L53, R51, R53 & B1
7. FULL WIDTH/DEPTH ADJUSTABLE SHELVES IN COMPARTMENTS L51, L53, & TWO IN R51 & R53
8. SWING-OUT TOOLBOARD IN COMPARTMENT L52

REV	DATE	BY	CH	ENFORCER
19APR21	JUS	DTs		CHASSIS DATA
18MAR21	JUS	NPEDTS		MAKE
06JAN21	CDU	KOU		MODEL

		JOB NO.	35833
		SCALE	1:24
TITLE 2000-D-500 GAL POLY, 152" FULL HEIGHT AND DEPTH BODY LADDERS THRU BODY, (2) CROSSLAYS, DELUGE	FOR OCEAN CITY FIRE DEPARTMENT OCEAN CITY, NEW JERSEY	DRAWN BY	JUS
		CHECKED BY	CDU
DWG NO.	35833AD	SHEET SIZE	D
		SHEET NO.	1 OF 1