

# Pumper, PUC BODY

Pumper, PUC, Aluminum

## CHASSIS

Velocity Chassis, PUC (Medium Block)

## CHASSIS

### AXLE, FRONT, CUSTOM

19,500 lb TAK-4 Axle

### AXLE, REAR

27,000 lb Meritor Axle

## ENGINE

450 HP Cummins L9 Engine

## TRANSMISSION

Allison 5th Gen, 3000 EVS P

## BUMPER

10" Extended Painted Steel

## CAB

7010 Velocity FR Cab, PUC

## BODY

### WATER TANK

750 Gallon Poly Water Tank

### COMPT, PUMPER, REAR

40.50" FF RollUp Rear Compt w/Space Saver Tailboard

### COMPT, PUMPER, LEFT SIDE

177" RollUp Full Height & Depth Front & Rear, PUC

### COMPT, PUMPER, RIGHT SIDE

177" RollUp Full Height & Depth Front & Rear, PUC

## FIRE SUPPRESSION

### PUMPHOUSE

Control Zone, PUC

## PUMP

1500 GPM Pierce PUC

### CROSSLAYS, 1.50"

(2) 1.50", Full Width Poly Trays, 200' of 1.75" Hose

### CROSSLAYS, 2.50"

2.50" Crosslay Not Required

## GENERATOR

Harrison 6kW MSV Hydraulic Generator

## Foam System

Foampro 2001 Foam System

## Foam Cell

30 Gallon Foam Cell, Not Reduced Water, PUC

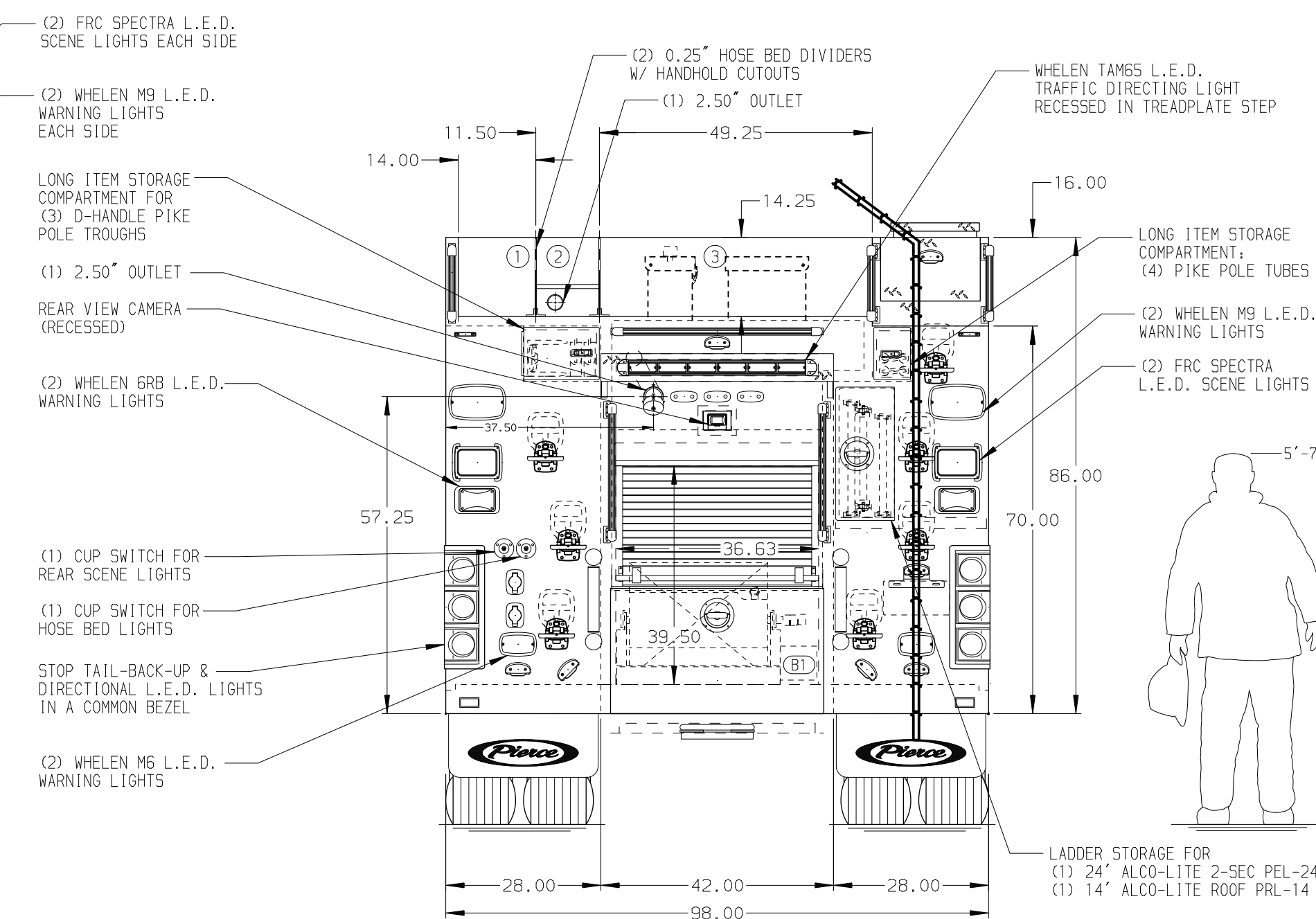
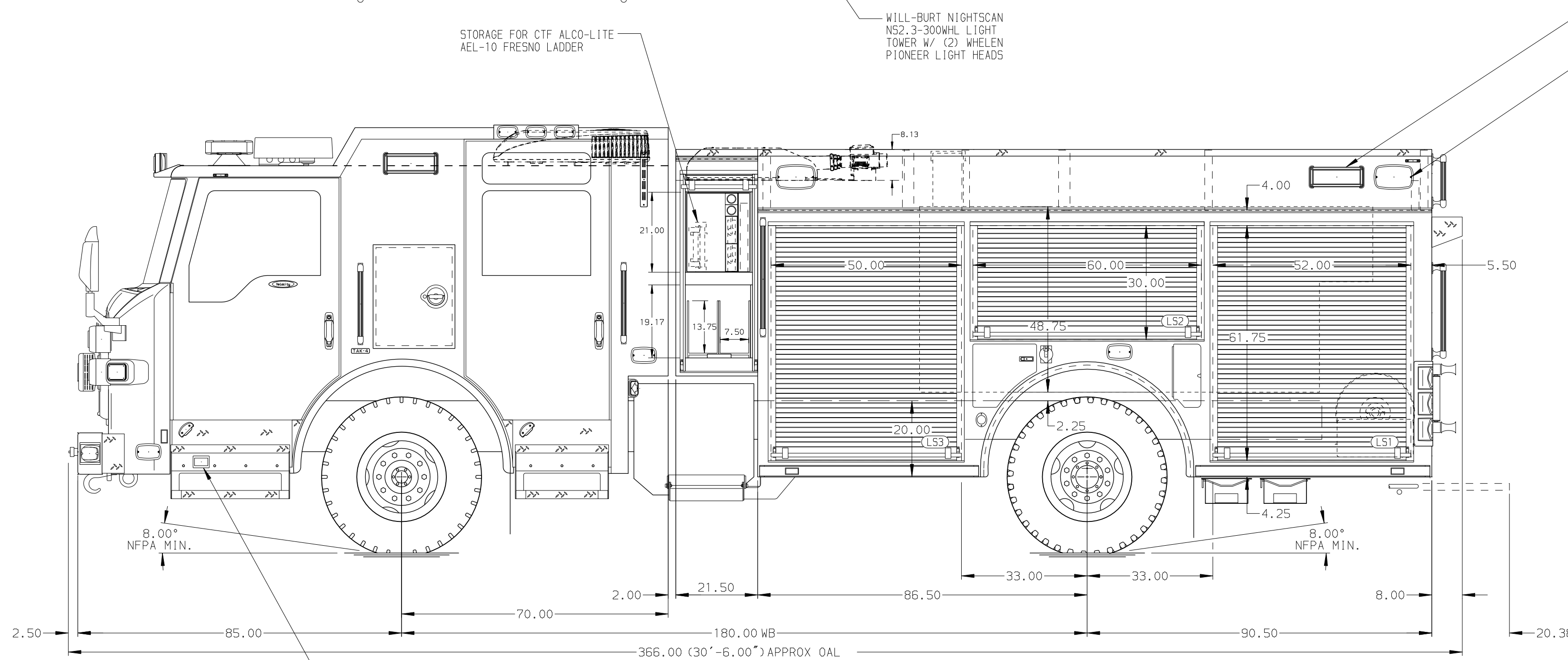
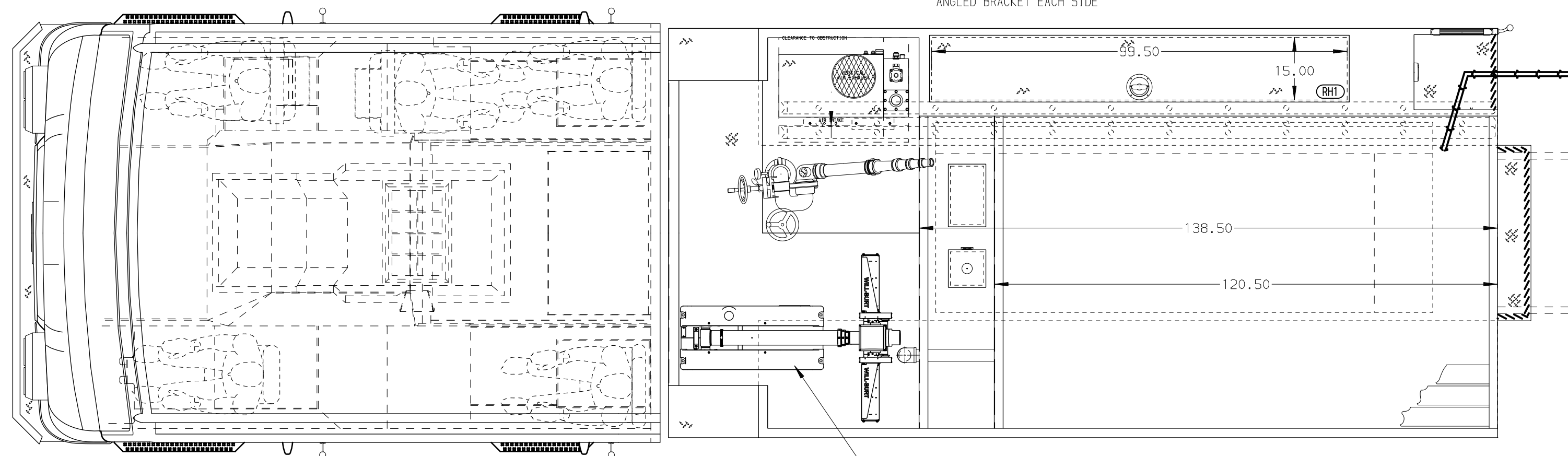
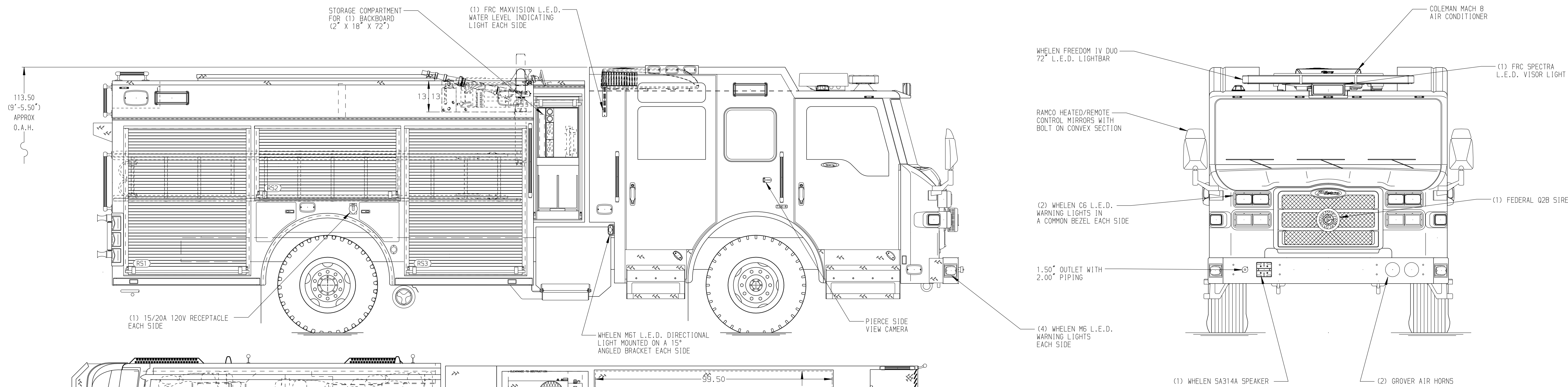
Side Roll and Frontal Impact Protection

### NOTE

DIMENSIONS SHOWN ARE APPROXIMATE AND ARE SUBJECT TO MINOR DEVIATIONS AS MAY OCCUR OR BE NECESSARY IN CONSTRUCTION. MINOR DETAILS NOT SHOWN.

- TWO 120V 20A SHORELINE RECEPTACLES WITH KUSSMAUL SUPER AUTO-EJECT LOCATED ON DRIVER SIDE REAR BULKHEAD
- BATTERY CHARGER LOCATED BEHIND DRIVER'S SEAT
- FOUR ADJUSTABLE SHELVES LOCATED PER SHOP ORDER
- THREE ADJUSTABLE SLIDE-OUT TRAYS LOCATED PER SHOP ORDER
- ONE TILTING/SLIDE-OUT TRAY LOCATED PER SHOP ORDER
- ONE SWING-OUT TOOLBOARD LOCATED PER SHOP ORDER
- HANNAY BOOSTER REEL SBEF32-21-22 WITH CAPACITY FOR 200' OF 0.75" BOOSTER HOSE LOCATED IN COMPARTMENT B1
- CIRCUIT BREAKER PANEL LOCATED PER SHOP ORDER
- ONE PERMANENT SHELF LOCATED PER SHOP ORDER
- ONE SLIDE-OUT TOOLBOARD LOCATED PER SHOP ORDER
- ONE VERTICAL PARTITION WITH PEGBOARD LOCATED PER SHOP ORDER
- HANNAY CABLE REEL E1619-17-18 WITH 200' OF 10/3 CABLE LOCATED IN COMPARTMENT RH2
- BOLT IN PARTITIONS LOCATED BETWEEN COMPARTMENTS L51/B1 & R51/B1
- AIR INLET/OUTLET LOCATED ON DRIVER SIDE PUMP PANEL
- ONE FLOOR MOUNTED SLIDE-OUT TRAY LOCATED PER SHOP ORDER

- STORAGE COMPARTMENT FOR (1) BACKBOARD (2' X 18" X 72")
- (1) FRC MAXVISION L.E.D. WATER LEVEL INDICATING LIGHT EACH SIDE
- (1) 15/20A 120V RECEPTACLE EACH SIDE
- WHEEL MGT L.E.D. DIRECTIONAL LIGHT MOUNTED ON A 15° ANGLED BRACKET EACH SIDE
- PIERCE SIDE VIEW CAMERA
- WHEELS FREEDOM IV DUO 72" L.E.D. LIGHTBAR
- COLEMAN MACH 8 AIR CONDITIONER
- (1) FRC SPECTRA L.E.D. VISOR LIGHT
- RAMCO HEATED/REMOTE CONTROL MIRRORS WITH BOLT ON CONVEX SECTION
- (2) WHELEN CG L.E.D. WARNING LIGHTS IN A COMMON BEZEL EACH SIDE
- 1.50" OUTLET WITH 2.00" PIPING
- (4) WHELEN M8 L.E.D. WARNING LIGHTS EACH SIDE
- (1) WHELEN SA314A SPEAKER
- (2) GROVER AIR HORNS
- (2) FRC SPECTRA L.E.D. SCENE LIGHTS EACH SIDE
- (2) WHELEN M9 L.E.D. WARNING LIGHTS EACH SIDE
- LONG ITEM STORAGE COMPARTMENT FOR (3) D-HANDLE PIKE POLE TROUGHS
- (1) 2.50" OUTLET
- REAR VIEW CAMERA (RECESSED)
- (2) WHELEN 6RB L.E.D. WARNING LIGHTS
- (1) CUP SWITCH FOR REAR SCENE LIGHTS
- (1) CUP SWITCH FOR HOSE BED LIGHTS
- STOP TAIL-BACK-UP & DIRECTIONAL L.E.D. LIGHTS IN A COMMON BEZEL
- (2) WHELEN M8 L.E.D. WARNING LIGHTS
- (2) 0.25" HOSE BED DIVIDERS W/ HANDHOLD CUTOUPS
- (1) 2.50" OUTLET
- WHELEN TAMMS L.E.D. TRAFFIC DIRECTING LIGHT RECESSED IN TREADPLATE STEP
- LONG ITEM STORAGE COMPARTMENT (4) PIKE POLE TUBES
- (2) WHELEN M9 L.E.D. WARNING LIGHTS
- (2) FRC SPECTRA L.E.D. SCENE LIGHTS
- LADDER STORAGE FOR (1) 24' ALCO-LITE 2-SEC PEL-24 (1) 14' ALCO-LITE ROOF PRL-14
- BATTERY CHARGER INDICATOR
- WILL-BURT NIGHTSCAN NS2 3-300WHL LIGHT TOWER W/ (2) WHELEN PIONEER LIGHT HEADS
- STORAGE FOR CTF ALCO-LITE AEL-10 FRESNO LADDER
- 8.00" NFPA MIN.
- 8.00" NFPA MIN.
- 2.50
- 85.00
- 70.00
- 2.00
- 21.50
- 86.50
- 33.00
- 33.00
- 90.50
- 20.38
- 366.00 (30'-6.00") APPROX OAL
- 180.00 WB
- 4.00
- 5.50
- 4.00
- 8.13
- 21.00
- 19.17
- 13.75
- 7.50
- 50.00
- 60.00
- 30.00
- 52.00
- 48.75
- 61.75
- 2.25
- 20.00
- 4.25
- 113.50 (9'-5.50") APPROX O.A.H.
- 13.13
- 99.50
- 15.00
- 138.50
- 120.50
- 11.50
- 14.00
- 49.25
- 14.25
- 16.00
- 86.00
- 70.00
- 57.25
- 36.63
- 39.50
- 28.00
- 42.00
- 28.00
- 98.00
- 5'-7"



HOSEBED CAPACITY	
BED 1	400' OF 2.50" D.J. POLY HOSE
BED 2	350' OF 2.00" D.J. POLY HOSE
BED 3	1000' OF 5.00" D.J. POLY HOSE

		JOB NO.	35825	
		SCALE	DATE	
<b>Pierce</b> MANUFACTURING INC.	TITLE	Pierce PUC Pumper Approval Drawing	DRAWN BY	11NOV20
	FOR	Fort Worth Fire Department	CHECKED BY	12NOV20
CHASSIS DATA MAKE MODEL VELOCITY	DWG NO.	35825AD	SHEET SIZE	SHEET NO.
REV DATE BY CH			D	1 OF 1