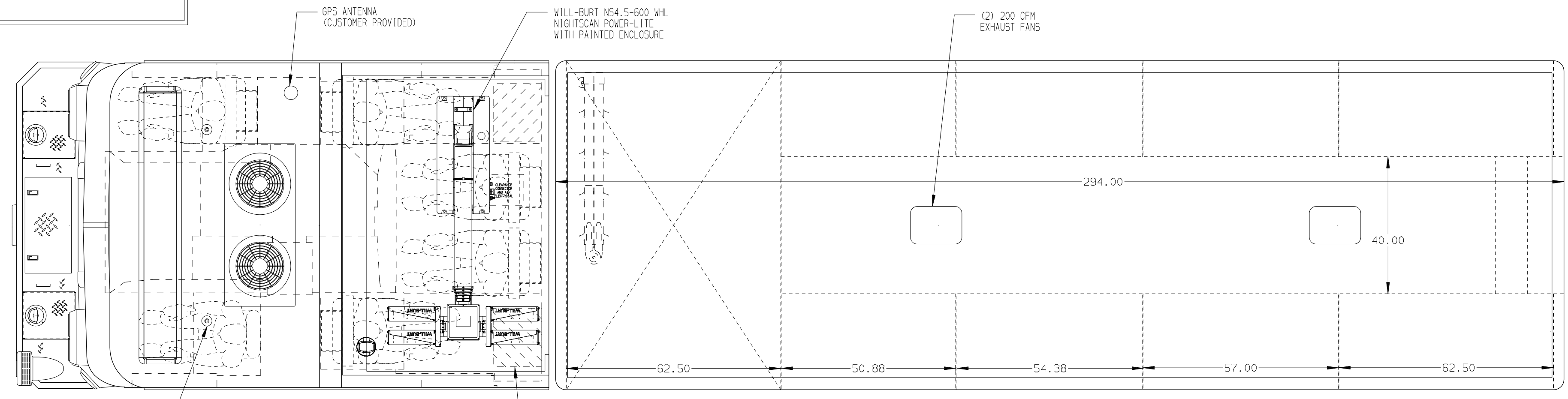
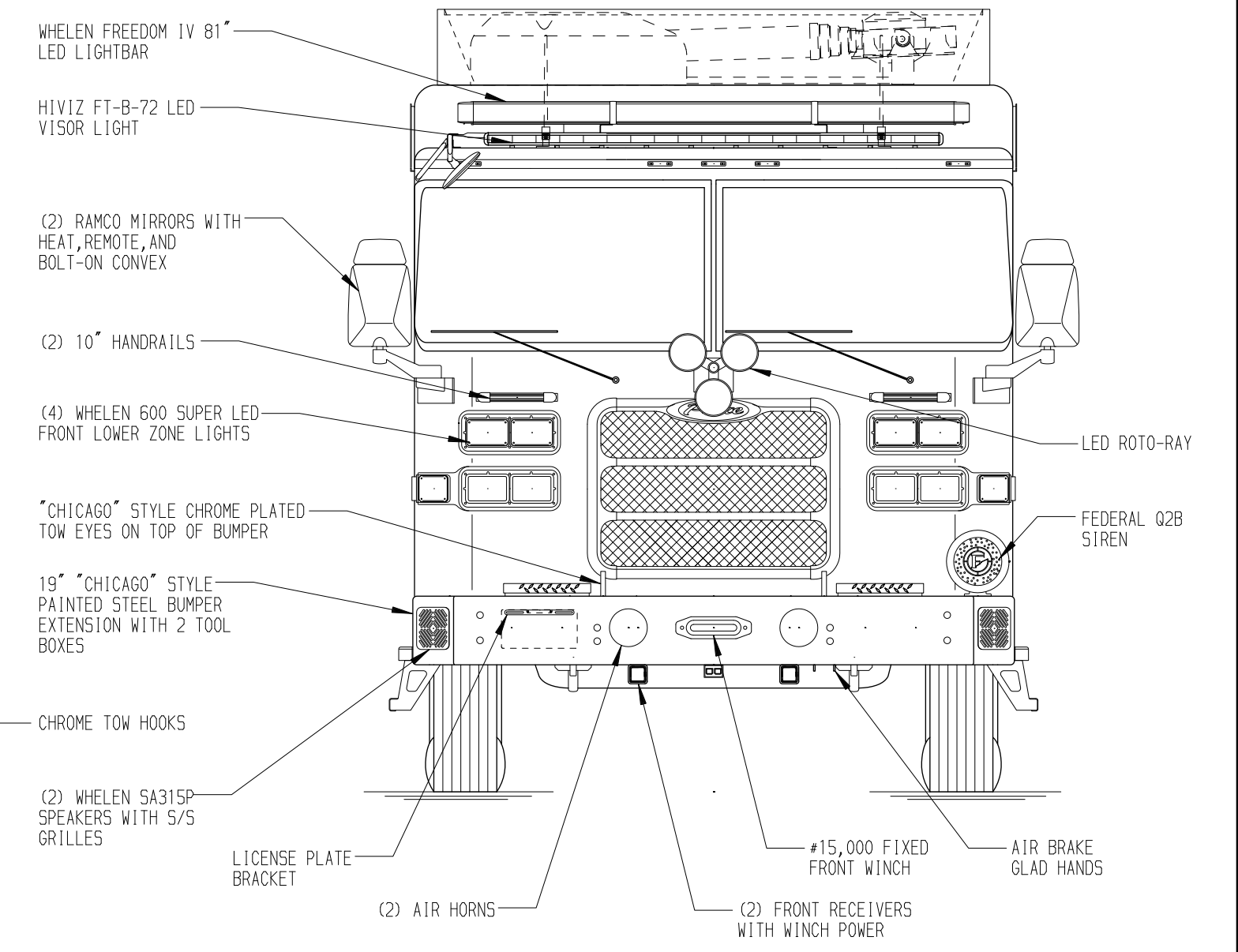
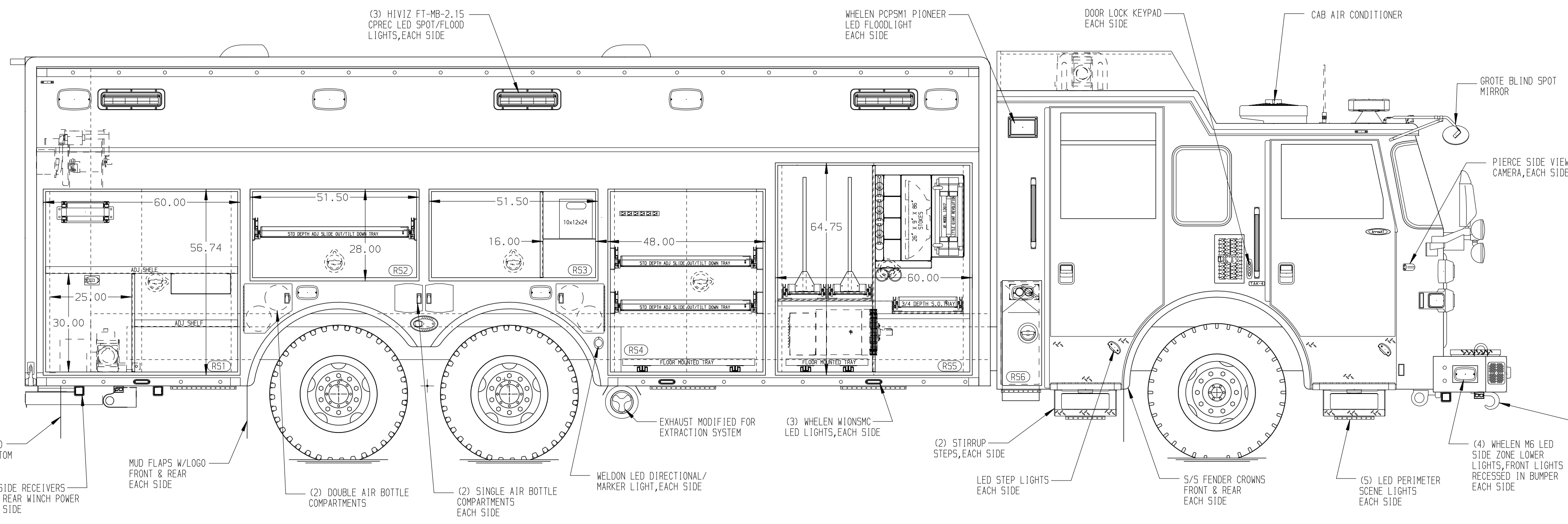
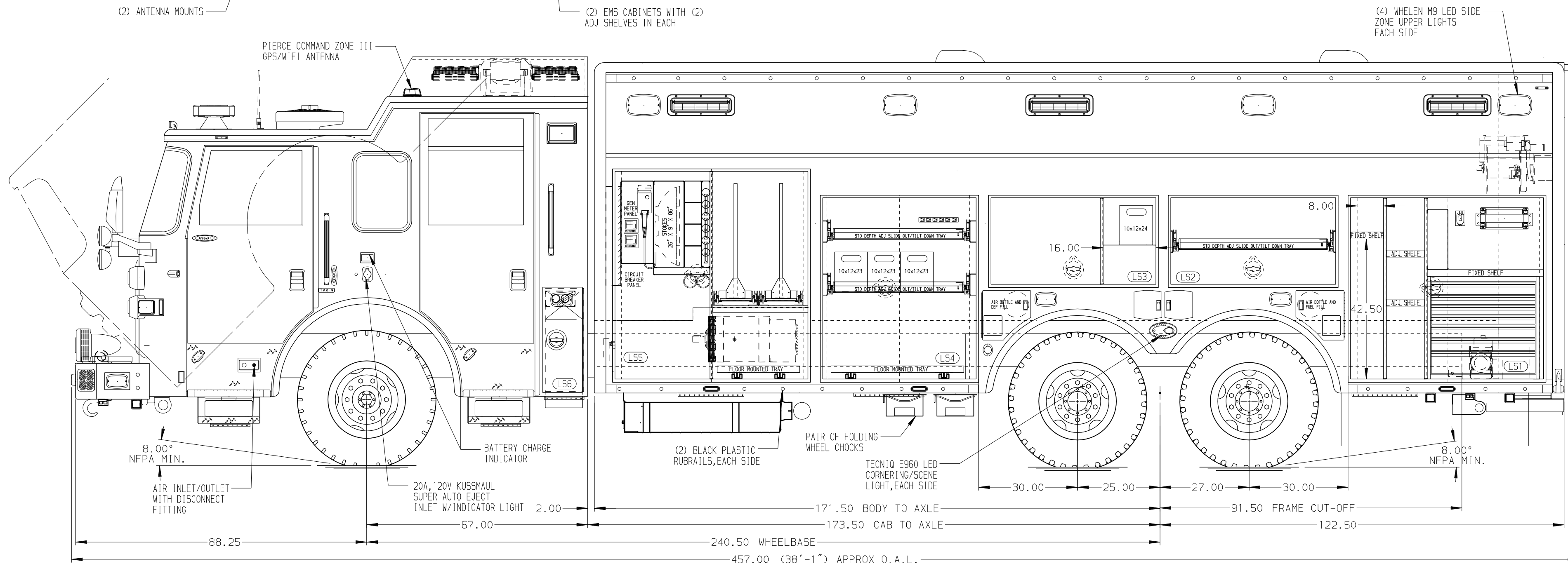
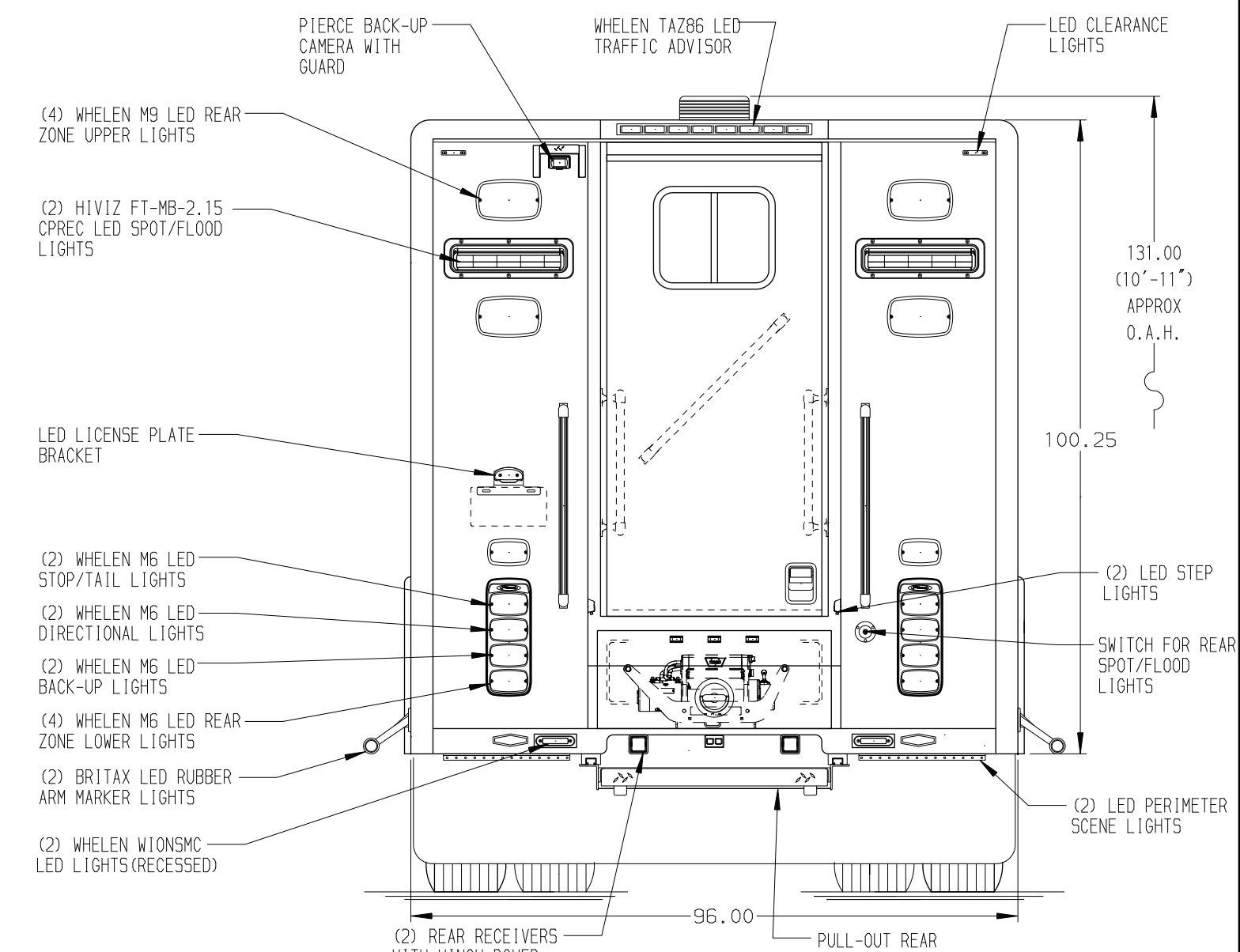


- RIGHT SIDE COMPARTMENTS CONTAIN THE FOLLOWING:**
- COMPARTMENT RS1 CONTAINS:**
- (2) STD DEPTH ADJ SHELVES
 - (1) VERTICAL COMPARTMENT DIVIDER
 - (1) ELECTRIC CORD REEL W/200' OF 10/4 YELLOW CORD
 - (1) 20A, 120V DUPLEX RECEPTACLE
 - (1) CORD ORGANIZER
- COMPARTMENT RS2 CONTAINS:**
- (1) STD DEPTH ADJ SLIDE OUT/TILT TRAY
 - (1) FLOOR MOUNTED TRAY
- COMPARTMENT RS3 CONTAINS:**
- (1) VERTICAL COMPARTMENT DIVIDER
 - (1) STD DEPTH ADJ SHELF W/NO FRONT LIP
- COMPARTMENT RS4 CONTAINS:**
- (2) STD DEPTH ADJ SLIDE OUT/TILT TRAYS
 - (1) FLOOR MOUNTED TRAY
 - (1) 20A, 120V 6-PLACE RECEPTACLE
- COMPARTMENT RS5 CONTAINS:**
- (1) RACK FOR 6 PIKE POLES-3 EACH SIDE
 - (2) 3.5" ID PIKE POLE STORAGE TUBES
 - (4) CUSTOM STORAGE TROUGHS
 - (2) 1/2 DEPTH ADJ SLIDE OUT TOOLBOARDS
 - (1) VERTICAL COMPARTMENT DIVIDER
 - (1) STOKES BASKET RACK
 - (1) RACK FOR LITTLE GIANT LADDER
 - (1) FLOOR MOUNTED TRAY
 - (1) 3/4 DEPTH ADJ SLIDE OUT TRAY
 - (2) HORIZONTAL FLOOR EXTENSIONS
- COMPARTMENT RS6 CONTAINS:**
- (1) RACK FOR 6" PIKE POLE



- LEFT SIDE COMPARTMENTS CONTAIN THE FOLLOWING:**
- COMPARTMENT LS1 CONTAINS:**
- (2) VERTICAL COMPARTMENT DIVIDERS
 - (1) FIXED SHELF-INVERTED
 - (1) FIXED SHELF
 - (2) STD DEPTH ADJ SHELVES
 - (1) 7-DRAWER C-TECH CABINET
 - (1) ELECTRIC CORD REEL W/200' OF 10/4 YELLOW CORD
 - (1) 20A, 120V DUPLEX RECEPTACLE
 - (1) CORD ORGANIZER
- COMPARTMENT LS2 CONTAINS:**
- (1) STD DEPTH ADJ SLIDE OUT/TILT TRAY
- COMPARTMENT LS3 CONTAINS:**
- (1) VERTICAL COMPARTMENT DIVIDER
 - (1) POLY TOOL BOX
 - (1) STD DEPTH ADJ SHELF W/NO FRONT LIP
- COMPARTMENT LS4 CONTAINS:**
- (2) STD DEPTH ADJ SLIDE OUT/TILT TRAYS
 - (3) POLY TOOL BOXES
 - (1) FLOOR MOUNTED TRAY
 - (1) 20A, 120V 6-PLACE RECEPTACLE
- COMPARTMENT LS5 CONTAINS:**
- (1) RACK FOR 6 PIKE POLES-3 EACH SIDE
 - (2) 3.5" ID PIKE POLE STORAGE TUBES
 - (4) CUSTOM STORAGE TROUGHS
 - (1) HORIZONTAL FLOOR EXTENSION
 - (2) 1/2 DEPTH ADJ SLIDE OUT TOOLBOARDS
 - (1) VERTICAL COMPARTMENT DIVIDER
 - (1) STOKES BASKET RACK
 - (1) CIRCUIT BREAKER PANEL
 - (1) GENERATOR METER PANEL
 - (1) CAB LIFT CONTROLLER
 - (1) NIGHTSCAN CONTROLLER
 - (1) FLOOR MOUNTED TRAY
- COMPARTMENT LS6 CONTAINS:**
- (1) RACK FOR 6" PIKE POLE



NOTE
DIMENSIONS SHOWN ARE APPROXIMATE AND ARE SUBJECT TO MINOR DEVIATIONS AS MAY OCCUR OR BE NECESSARY IN CONSTRUCTION. MINOR DETAILS NOT SHOWN.

- NOTES:**
- ONAN 20kW SINGLE PHASE PTO DRIVEN GENERATOR WITH SPLASH GUARD LOCATED BETWEEN THE FRAME RAILS
 - WARN #10,000 PORTABLE WINCH
 - FLOOR IN CAB AND CREW CAB TO BE PADDED RUBBER
 - TURTLE TILE ON SHELVES IN COMPARTMENTS D1, D2, D4, D5, P1, P2, P4, AND P5
 - ONSPOT AUTOMATIC TIRE CHAINS
 - PULL STRAPS FOR LAP DOORS IN COMPARTMENTS D2, D3, P2, P3
 - PIERCE LED STRIP LIGHTS IN EACH EXTERIOR BODY COMPARTMENT
 - KUSSMUL BRAKE SYSTEM COMPRESSOR LOCATED UNDER FORWARD FACING CREW CAB SEATS
 - (6) STREAMLIGHT FIRE VULCAN HALL LIGHTS; (4) ABOVE FORWARD FACING CREW CAB SEATS; (1) AT OFFICER'S SIDE DASH AND (1) ON FORWARD WALL OF COMPARTMENT D5
 - TURTLE TILE ON FLOORS IN COMPARTMENTS P1, P2, D2
 - POLISHED 5/5 SCUFFPLATES ON CAB AND CREW CAB DOORS
 - SIGTRONICS 6-POSITION INTERCOM SYSTEM

(SIDE ROLL & FRONTAL IMPACT PROTECTION)

CLEAR DOOR WIDTH KEY

| | |
|---------------------------|---------|
| AMORR ROLL UP DOORS: | -1 7/8" |
| CORTITE ROLL UP DOORS: | -2 3/4" |
| PIERCE DOUBLE LAP DOORS: | -4 1/4" |
| PIERCE LIFT-UP LAP DOORS: | -1 1/2" |

(EX: 60" F-F - 1 7/8" = 58 1/8" CLEAR)
(F-F) = FRAME TO FRAME

Pierce MANUFACTURING INC.

JOB NO. 35820

SCALE 1:24 DATE

TITLE HEAVY DUTY RESCUE WALKIN/NON-WALKIN COMBO

FOR PRINCE WILLIAM COUNTY BID #604

CHECKED BY CDK

DRAWN BY DHE

DATE 11MAR21

DATE 12MAR21

DWG NO. 35820AD-SH1

SHEET SIZE D SHEET NO. 1 OF 1

CHASSIS DATA

| | | | | | |
|---------|------|-----|--------|------|-------|
| REV | DATE | BY | CH | MAKE | MODEL |
| 23JUN21 | DHE | CDK | PIERCE | | |
| 17MAY21 | DHE | CDK | PIERCE | | |
| 18MAR21 | DHE | CDK | PIERCE | | |

AX6710

JOHN THOMPSON