

PUMPER BODY

Long Aluminum 2nd Gen Pumper

CHASSIS

Impel Chassis

CHASSIS AXLE, FRONT, CUSTOM

22,800 Lb TAK-4 Axle

AXLE, REAR

27,000 Lb Meritor Axle

ENGINE

450 HP Cummins L9 Engine

TRANSMISSION

Allison 5th Gen, 3000 EVS P

BUMPER

26" Extended Pointed Underlung

CAB

7010 Impel FR Cab

BODY WATER TANK

1000 Gallon New York Style Water Tank

COMPT, PUMPER, REAR

30.75" FF RollUp Rear Compt

COMPT, PUMPER, LEFT SIDE

171" RollUp Full Height & Depth Front & Rear

COMPT, PUMPER, RIGHT SIDE

171" RollUp Full Height & Depth Front & Rear

FIRE SUPPRESSION PUMPHOUSE

45" Control Zone Side Mount

PUMP

2000 GPM Waterous CSU

CROSSLAYS, 1.50"

1.50" Crosslays Not Required

CROSSLAYS, 2.50"

2.50" Crosslay Not Required

SPEEDLAYS

(2) 1.50" W/Troy Std. Capacity

GENERATOR

Generator Not Required

Foam System

Foam System Not Required

Foam Cell

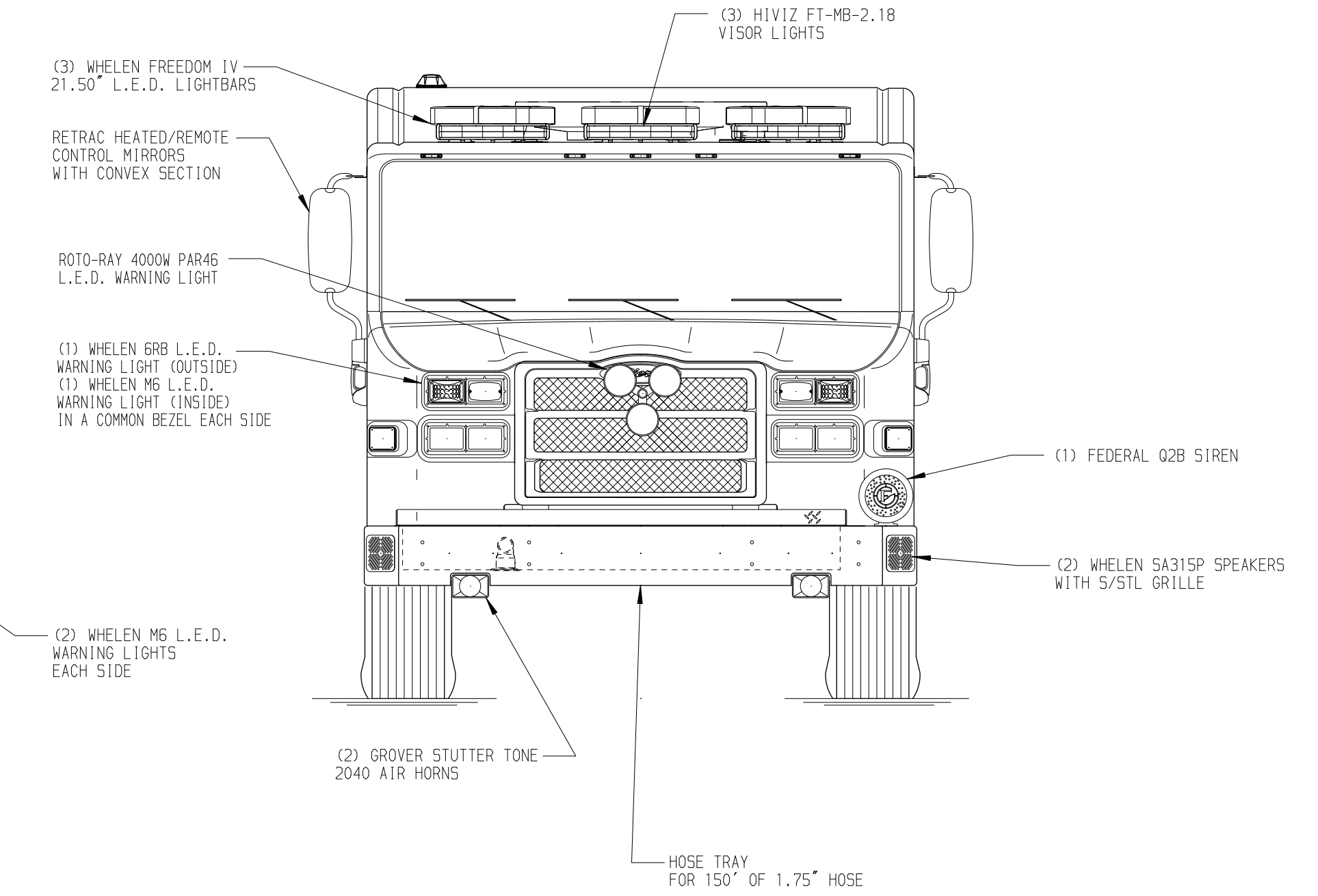
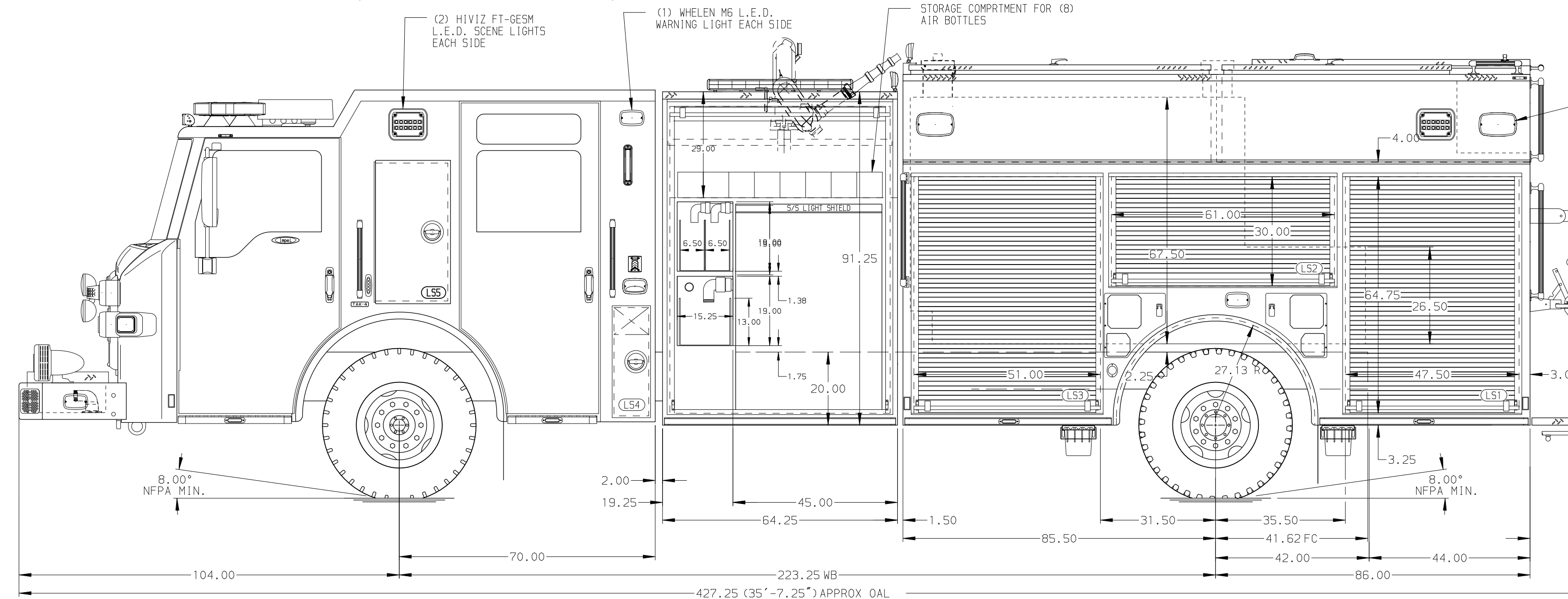
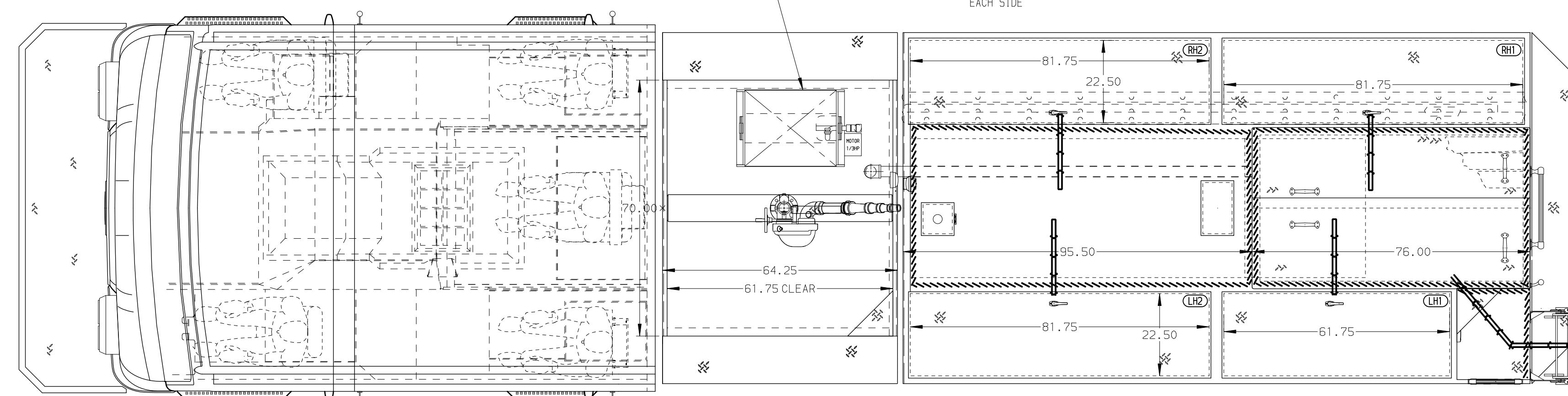
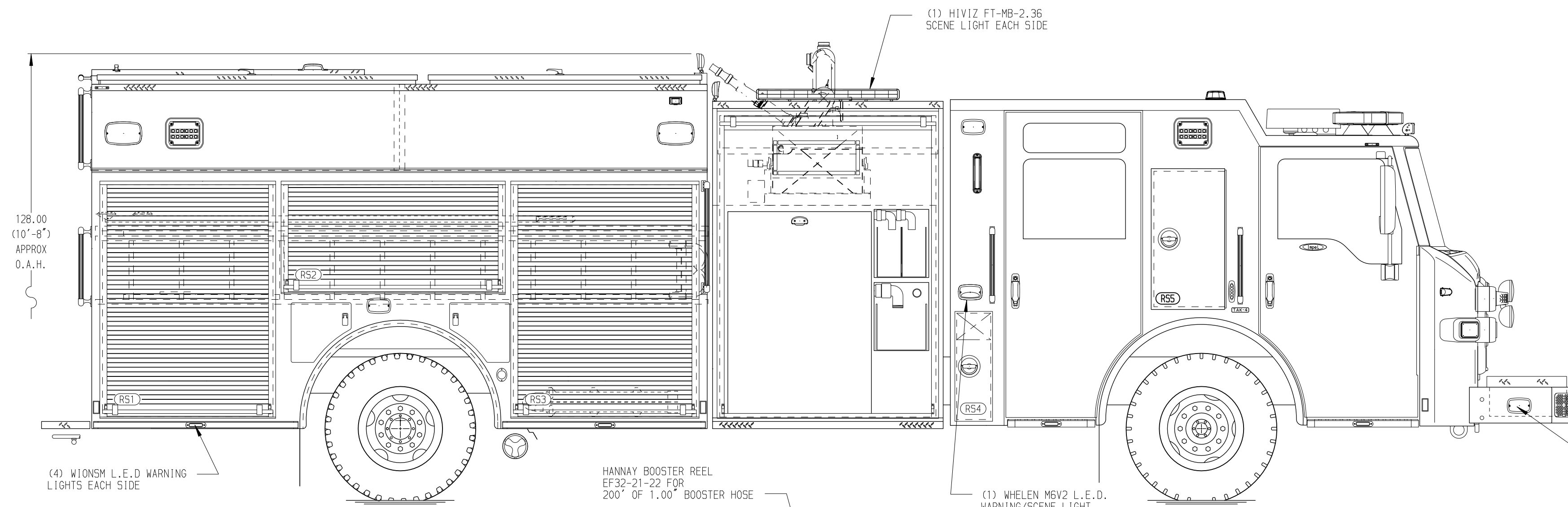
25 Gal. Foam Cell Reduce Water

Side Roll and Frontal Impact Protection

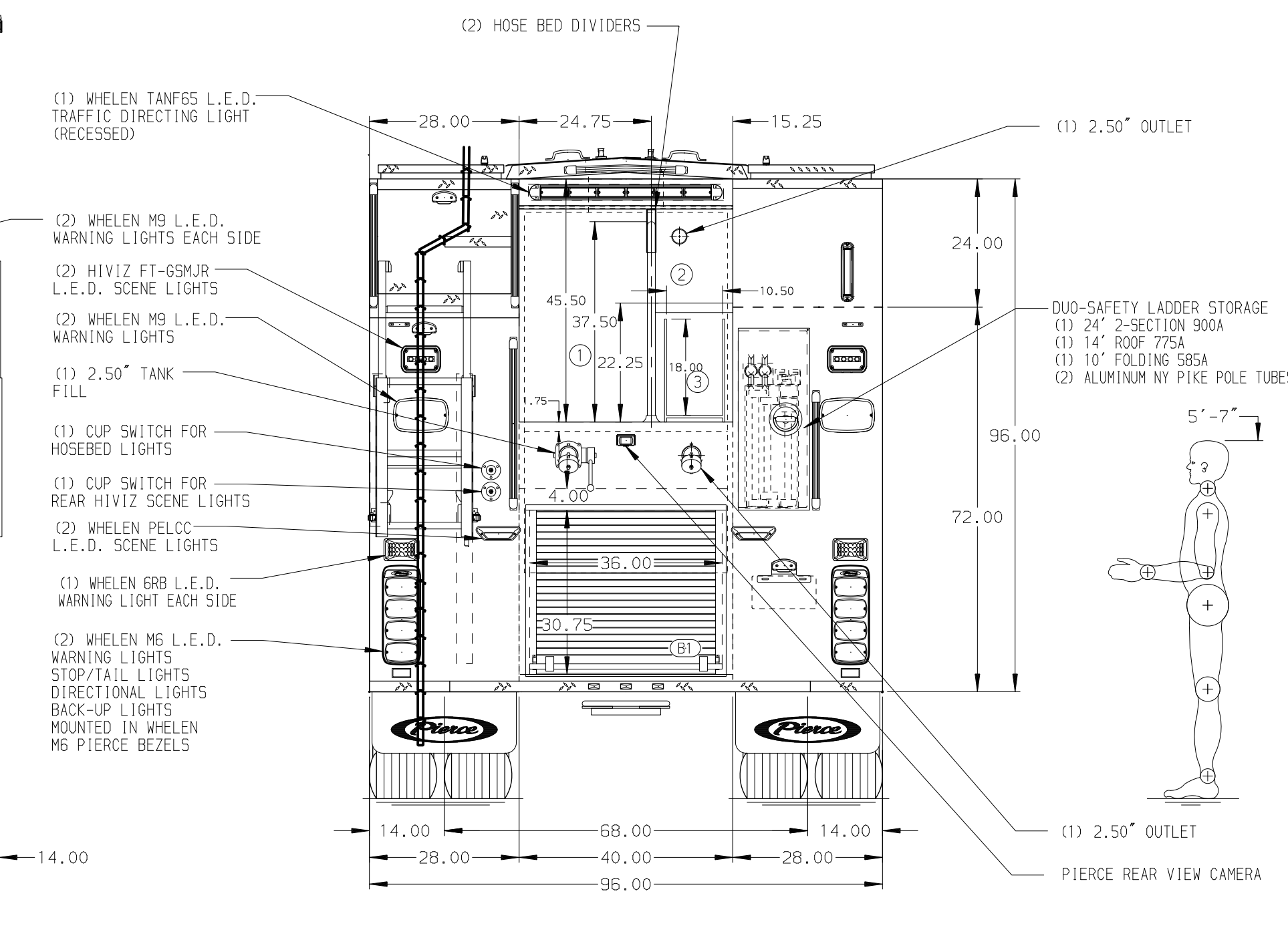
NOTE
DIMENSIONS SHOWN ARE APPROXIMATE AND ARE SUBJECT TO MINOR DEVIATIONS AS MAY OCCUR OR BE NECESSARY IN CONSTRUCTION. MINOR DETAILS NOT SHOWN.

- ONE 2.50" OUTLET WITH 2.50" PIPING AND SMIVEL LOCATED IN CENTER BUMPER TRAY
- SHORELINE RECEPTACLE WITH KUSSMAUL SUPER AUTO-EJECT LOCATED ON DRIVER SIDE OF THE CAB BEHIND CREW CAB DOOR
- AIR INLET WITH DISCONNECT COUPLING IN THE DRIVER SIDE STEPWELL
- BATTERY CHARGER LOCATED IN COMPARTMENT PER SHOP ORDER
- BATTERY CHARGE INDICATOR LOCATED NEAR DRIVER SEAT RISER WITH BRACKET
- FIVE ADJUSTABLE SHELVES IN COMPARTMENTS PER SHOP ORDER
- THREE FLOOR MOUNTED SLIDE-OUT TRAY IN COMPARTMENT PER SHOP ORDER
- TWO SLIDE-OUT TRAYS W/2" SIDES LOCATED IN COMPARTMENT PER SHOP ORDER
- ONE SLIDE-OUT TRAYS W/4" SIDES LOCATED IN COMPARTMENT PER SHOP ORDER
- THREE TILT/SLIDE-OUT TRAYS LOCATED IN COMPARTMENT PER SHOP ORDER
- ONE SWING-OUT TOOLBOARD LOCATED IN COMPARTMENT PER SHOP ORDER

- ONE HORIZ FT-MB-2.36 SCENE LIGHT EACH SIDE
- HANNAY BOOSTER REEL EF32-21-22 FOR 200' OF 1.00" BOOSTER HOSE
- ONE WHELEN M6V2 L.E.D. WARNING/SCENE LIGHT EACH SIDE
- ONE WHELEN M6 L.E.D. WARNING LIGHT EACH SIDE
- ONE WHELEN M9 L.E.D. WARNING LIGHTS EACH SIDE
- ONE WHELEN M9 L.E.D. WARNING LIGHTS
- ONE 2.50" TANK FILL
- ONE CUP SWITCH FOR HOSEBED LIGHTS
- ONE CUP SWITCH FOR REAR HORIZ SCENE LIGHTS
- ONE WHELEN PELCC L.E.D. SCENE LIGHTS
- ONE WHELEN 6RB L.E.D. WARNING LIGHT EACH SIDE
- ONE WHELEN M6 L.E.D. WARNING LIGHTS STOP/TAIL LIGHTS DIRECTIONAL LIGHTS BACK-UP LIGHTS MOUNTED IN WHELEN M6 PIERCE BEZELS
- ONE VERTICAL TOOLBOARD ATTACHED TO SLIDE-OUT TRAY LOCATED IN COMPARTMENT PER SHOP ORDER
- TWO ADDITIONAL POLY TRAYS FOR 1.75" HOSE SHIPPED LOOSE



HOSEBED CAPACITY	
BED 1	1000' OF 5.00" D.J. POLY HOSE
BED 2	250' OF 2.50" D.J. POLY HOSE
BED 3	250' OF 2.50" D.J. POLY HOSE



		JOB NO.	35800
		SCALE	DATE
TITLE	Pierce Pumper Approval Drawing		
FOR	Decatur Fire Department		
DWG NO.	35800AD		
REV	DATE	BY	CH
11FEB21		MMF	CHR
09DEC20		MMF	CHR
CHASSIS DATA	PIERCE		
MAKE	PIERCE		
MODEL	IMPEL FR		
DRAWN BY	MMF	CHECKED BY	COL
DATE	09NOV20	SHEET SIZE	D
		SHEET NO.	1 OF 1