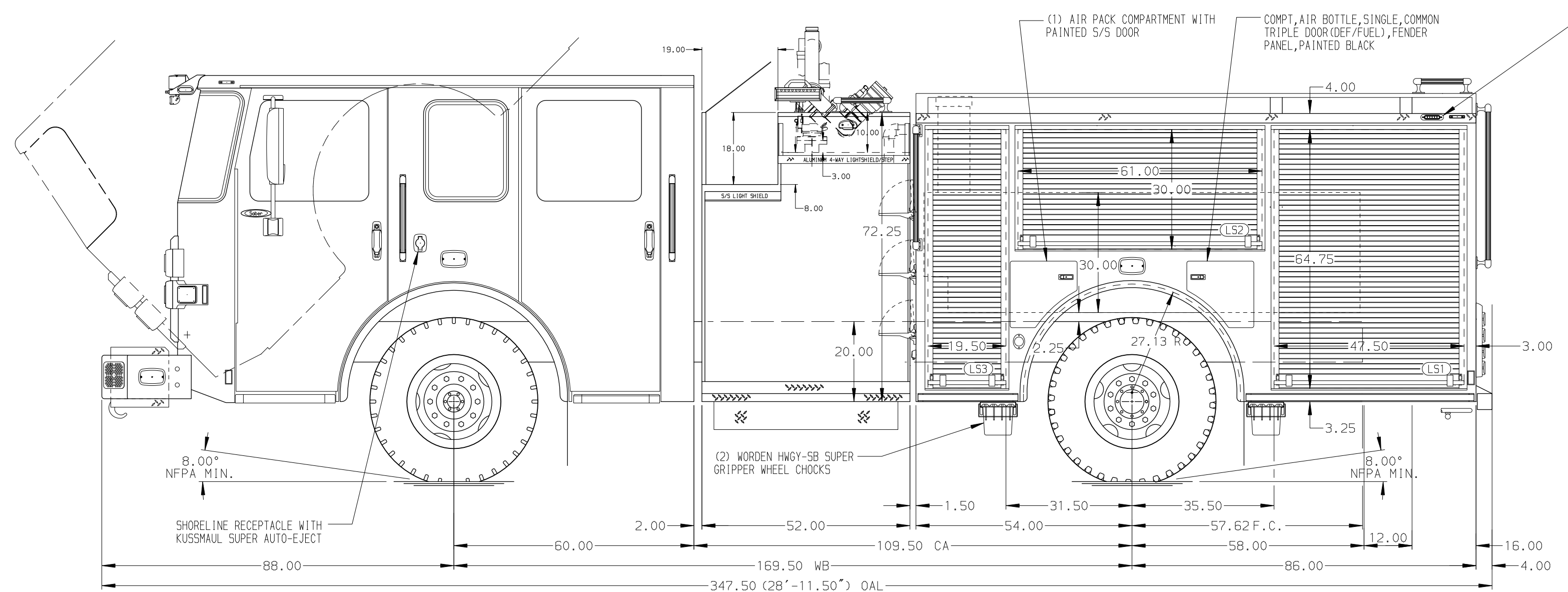


- HOSEBED CAPACITIES
- ① 250' OF 1.75" D.J. HOSE
 - ② 250' OF 1.75" D.J. HOSE
 - ③ 250' OF 1.75" D.J. HOSE
 - ④ 250' OF 3.00" D.J. HOSE
 - ⑤ 1200' OF 5.00" D.J. HOSE



ALUMINUM BODY

MAXIMUM O.A.H. 101.00"

NOTE
DIMENSIONS SHOWN ARE APPROXIMATE AND ARE SUBJECT TO MINOR DEVIATIONS AS MAY OCCUR OR BE NECESSARY IN CONSTRUCTION. MINOR DETAILS NOT SHOWN.

REV	DATE	BY	CH	SABER FR
08FEB21	JLA	NAS		CHASSIS DATA
17DEC20	JLA	NAS		MAKE
26OCT20	JWO	CDU		PIERCE
				MODEL

		JOB NO.	35792
		SCALE	DATE
TITLE	2000-D-500P, 140", FULL HEIGHT, FDLER L.S. & R.S. 52" SIDE CONTROL, (1) 2.5" DEADLAY	DRAWN BY	JWO
FOR	MORRISTOWN FIRE DEPARTMENT MORRISTOWN, NEW JERSEY	CHECKED BY	CDU
DWG NO.	35792AD	SHEET SIZE	D
		SHEET NO.	1 OF 1