

Pumper, PUC BODY

Pumper, PUC, Aluminum
CHASSIS
Enforcer Chassis, PUC

CHASSIS
AXLE, FRONT, CUSTOM
18,000 Lb TAK-4 Axle

AXLE, REAR
27,000 Lb Dana Axle

ENGINE
450 HP Cummins L9 Engine

TRANSMISSION
Allison 5th Gen, 3000 EVS P

BUMPER
22" Extended Painted Steel

CAB
7010 Enforcer Cab, PUC

BODY
WATER TANK
750 Gallon Poly Water Tank

COMPT, PUMPER, REAR
32.50" FF RollUp Compt w/Space Saver tailboard, PUC

COMPT, PUMPER, LEFT SIDE
189" RollUp Full Height & Depth Front & Rear, PUC

COMPT, PUMPER, RIGHT SIDE
189" RollUp Full Height & Depth Front & Rear, PUC

FIRE SUPPRESSION
PUMPHOUSE
Control Zone, PUC

PUMP
1500 GPM Pierce PUC

CROSSLAYS, 1.50"
(2) 1.50", Poly Trays, 200'

CROSSLAYS, 2.50"
(1) 2.50", Poly Tray, 200'

GENERATOR
Generator Not Required

Foam System
Foam System Not Required

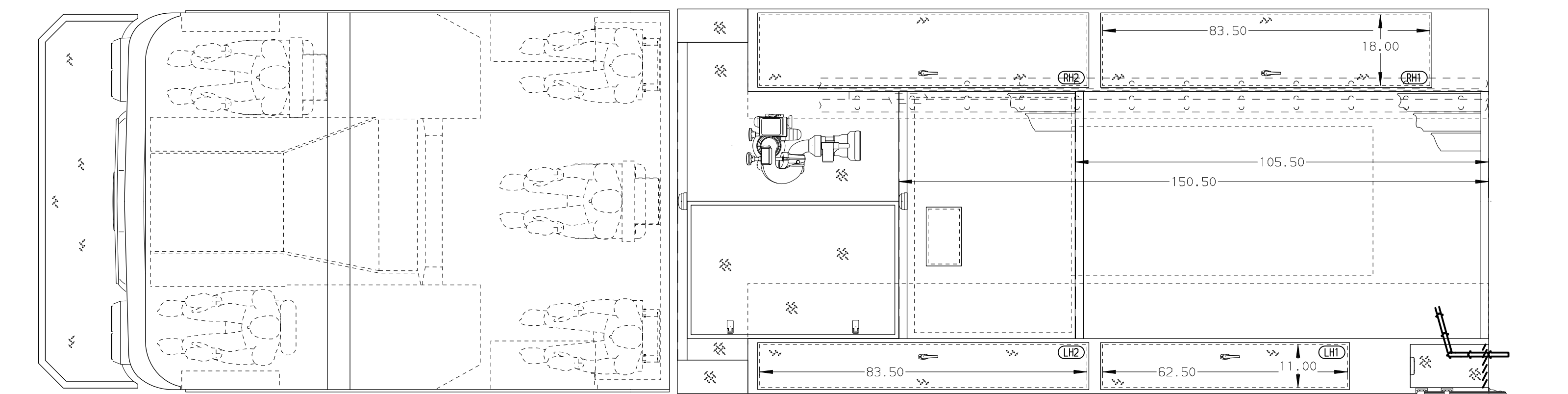
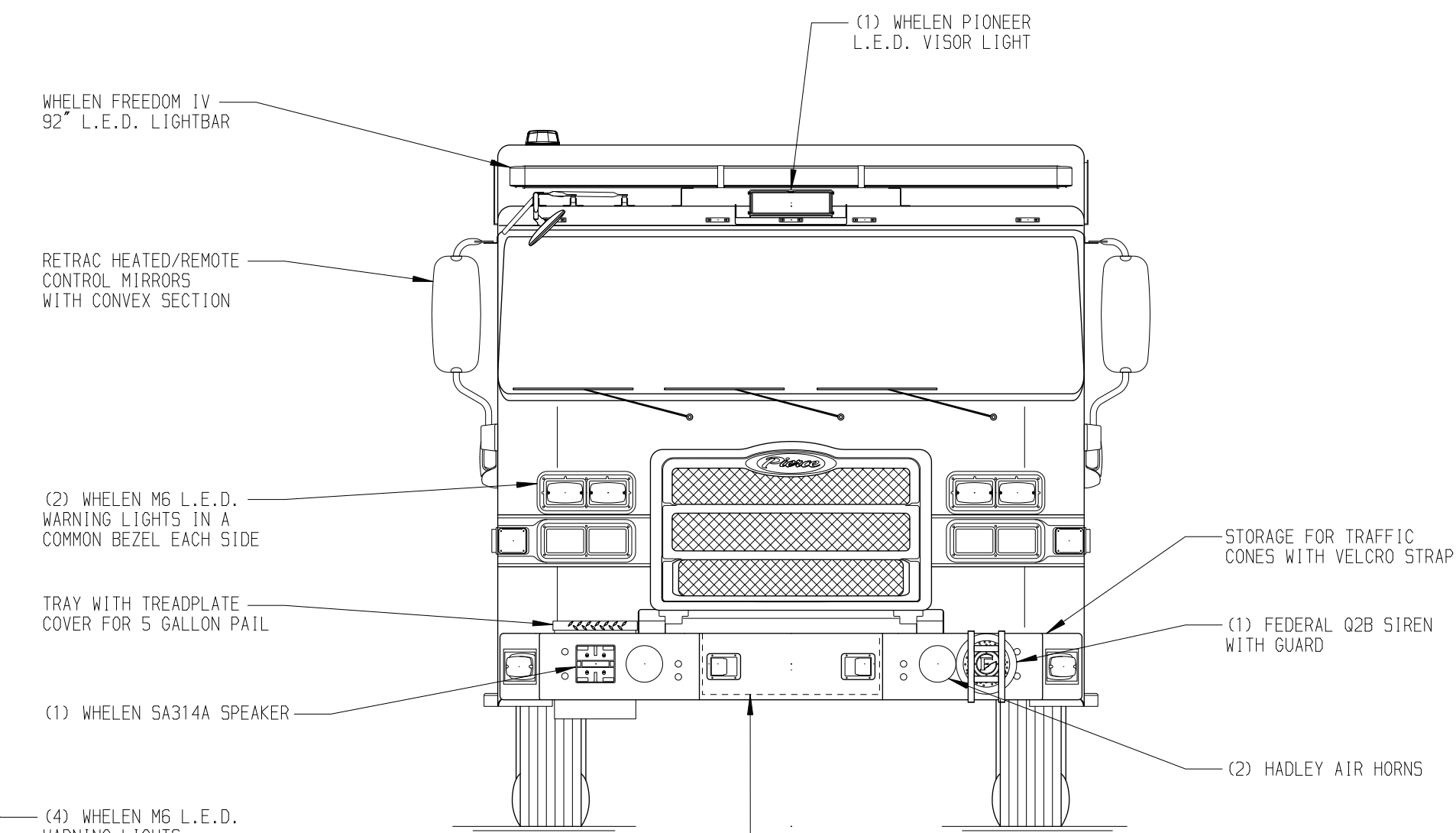
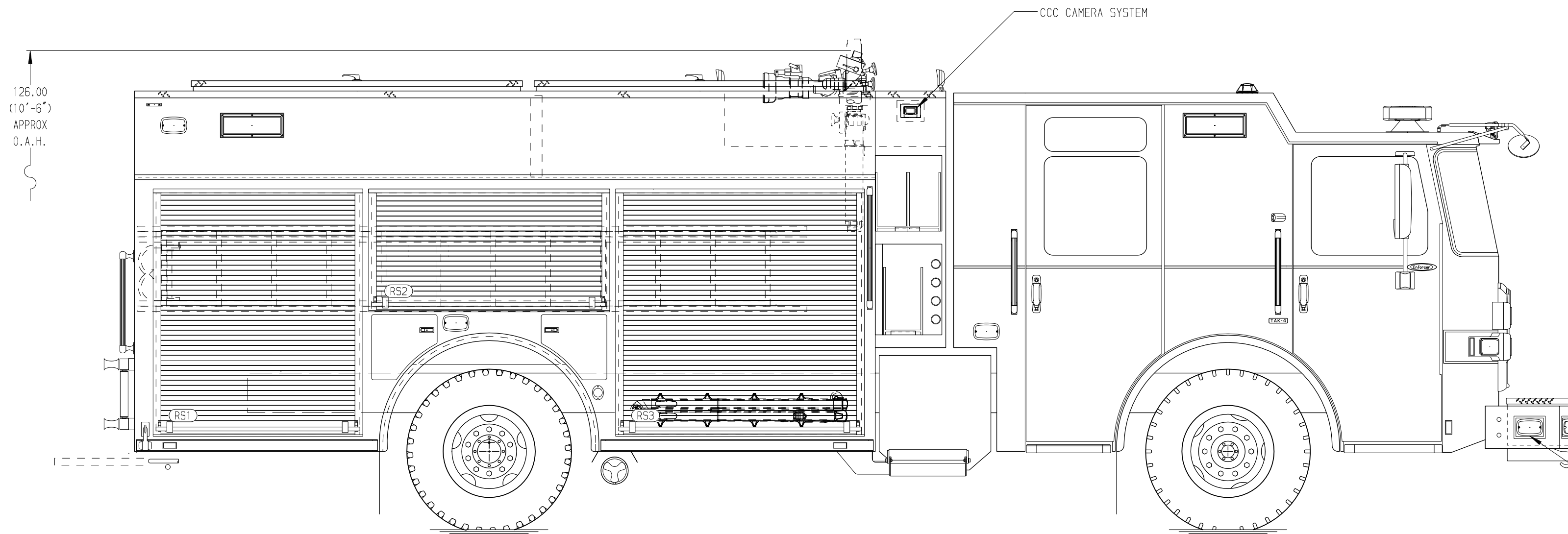
Foam Cell
Foam Cell Not Required

Side Roll and Frontal Impact Protection

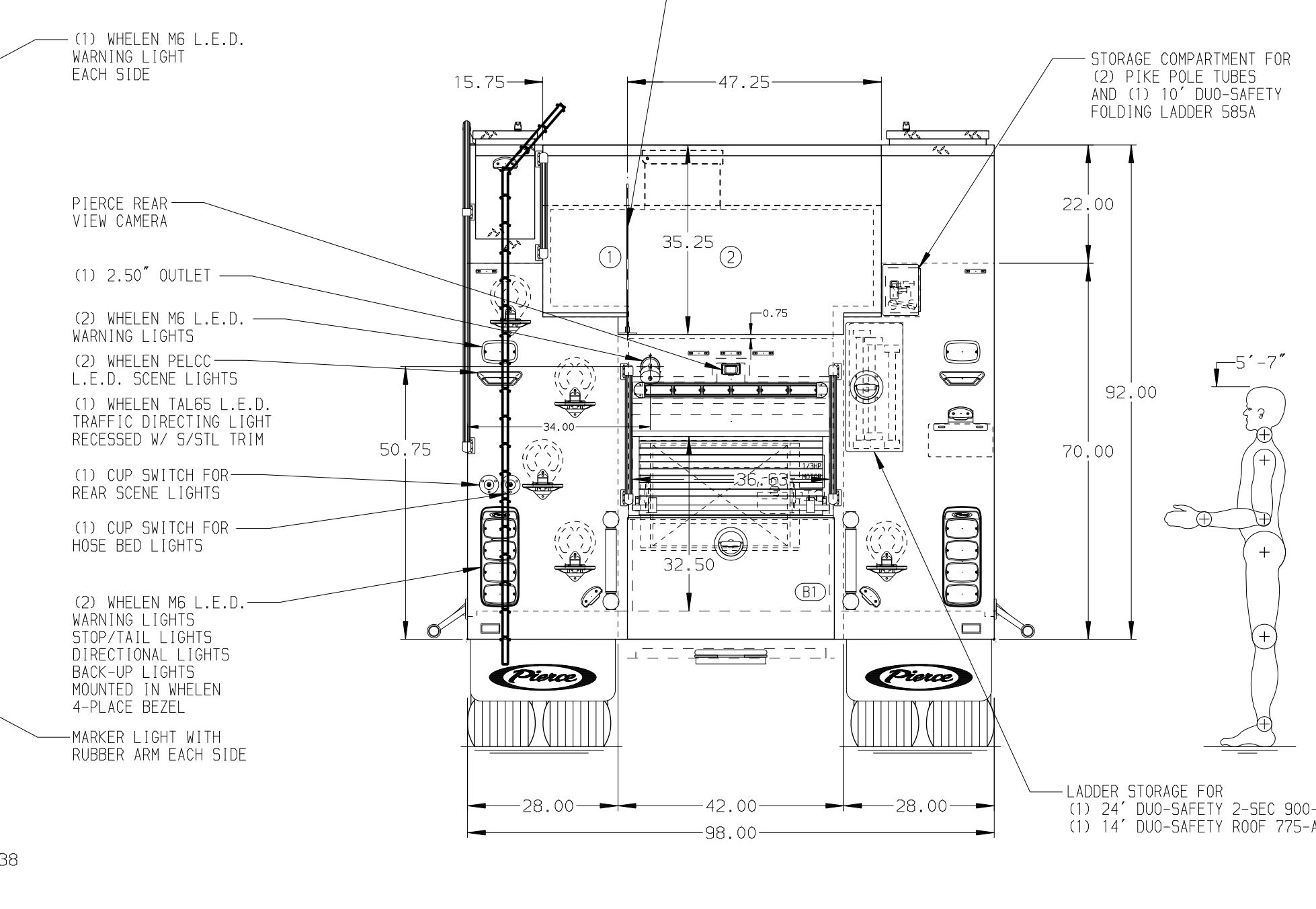
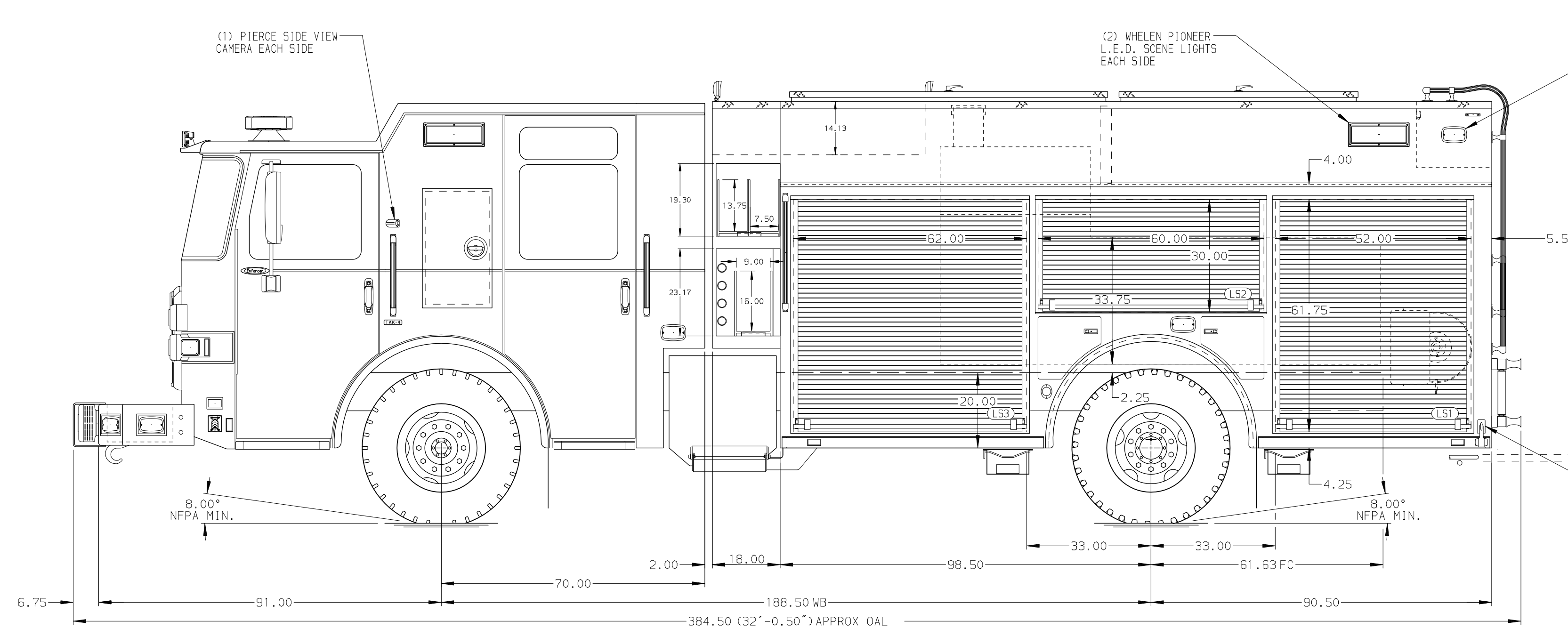
NOTE
DIMENSIONS SHOWN ARE APPROXIMATE
AND ARE SUBJECT TO MINOR DEVIATIONS
AS MAY OCCUR OR BE NECESSARY IN
CONSTRUCTION.
MINOR DETAILS NOT SHOWN.

- ONE 1.50" OUTLET WITH 2.00" PIPING AND SWIVEL LOCATED IN CENTER BUMPER TRAY
- SHORELINE RECEPTACLE WITH BLUE SEA SURE EJECT LOCATED ON DRIVER SIDE CAB CORNER
- AIR INLET WITH DISCONNECT COUPLING IN THE DRIVER SIDE STEWELL
- BATTERY CHARGER LOCATED BEHIND DRIVER'S SEAT
- BATTERY CHARGE INDICATOR LOCATED ON DRIVER SIDE CAB CORNER
- SEVEN ADJUSTABLE SHELVES LOCATED PER SHOP ORDER
- TWO FLOOR MOUNTED SLIDE-OUT TRAYS W/ SIDE SLIDES LOCATED PER SHOP ORDER
- ONE TILTING/SLIDE-OUT TRAY LOCATED PER SHOP ORDER
- CITECH THREE DRAWER ASSEMBLY LOCATED PER SOP ORDER
- LITTLE GIANT DEFENDER MODEL 17 LOCATED IN COMPARTMENT R53

- ONE ADJUSTABLE SLIDE-OUT TRAY LOCATED PER SHOP ORDER
- ONE SWING-OUT TOOLBOARD LOCATED PER SHOP ORDER
- TWO VERTICAL PARTITIONS LOCATED PER SHOP ORDER
- ALUMINUM PEGBOARD LOCATED PER SHOP ORDER
- ONE HORIZONTAL PARTITION LOCATED PER SHOP ORDER
- HANNAY BOOSTER REEL MODEL 58EF-32-19-21 WITH CAPACITY FOR 100' OF 1.00" HOSE LOCATED IN COMPARTMENT B1
- THREE 120V 7-PLACE RECEPTACLES LOCATED PER SHOP ORDER



HOSEBED CAPACITY	
BED 1	200' OF 2.50" D.J. POLY HOSE
BED 2	800' OF 5.00" D.J. POLY HOSE



Pierce MANUFACTURING INC.		JOB NO.	35785
		SCALE	DATE
		1:24	
Pierce		DRAWN BY	23NOV20
FOR		COL	23NOV20
		CHECKED BY	24NOV20
		MMF	
DWG NO.		SHEET SIZE	SHEET NO.
35785AD		D	1 OF 1

REV	DATE	BY	CH	ENFORCER
09MAR21	COL	MMF		PIERCE
02FEB21	COL	MMF		MODEL