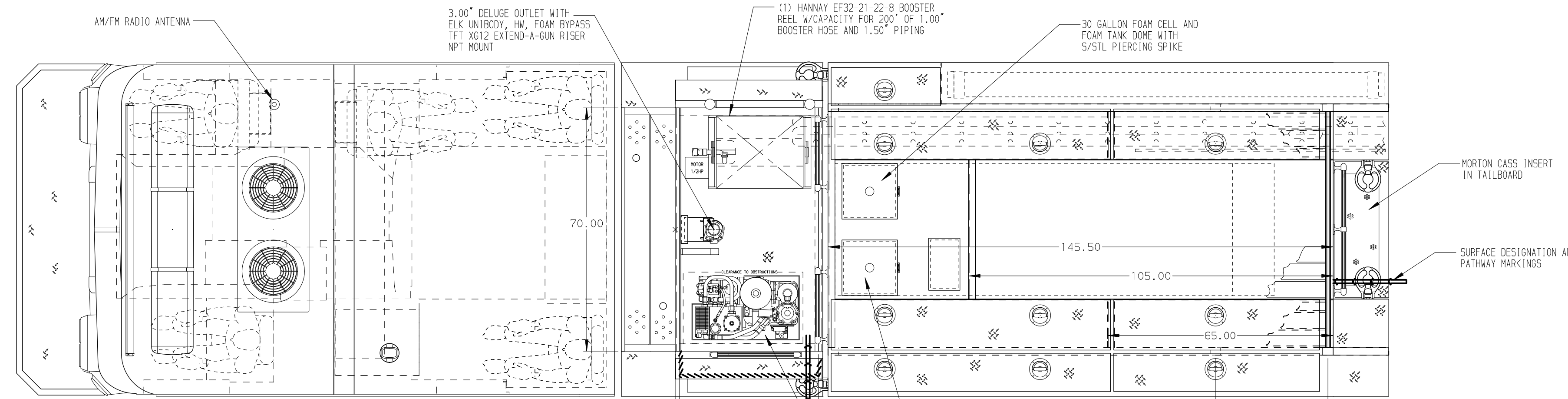
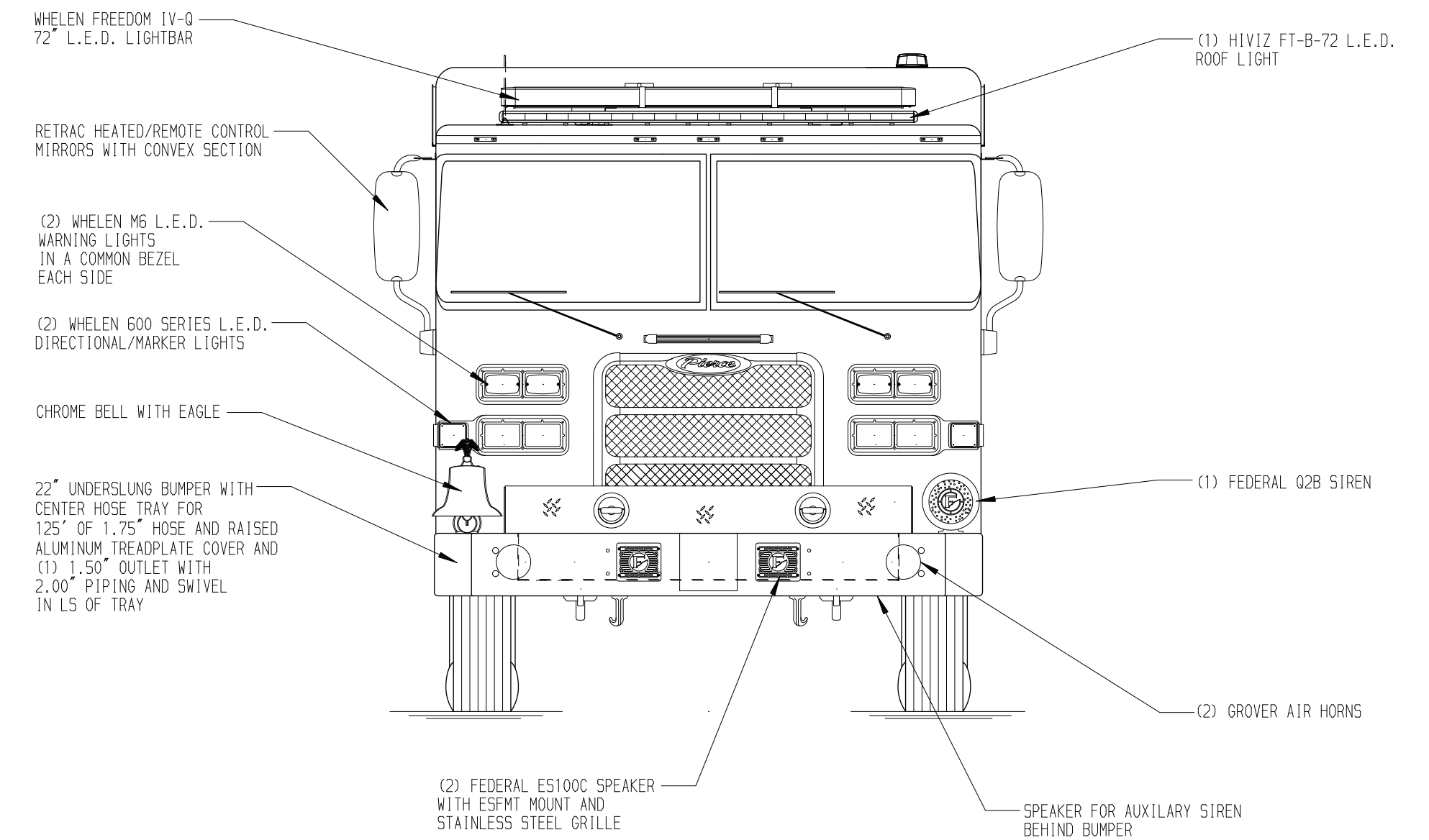
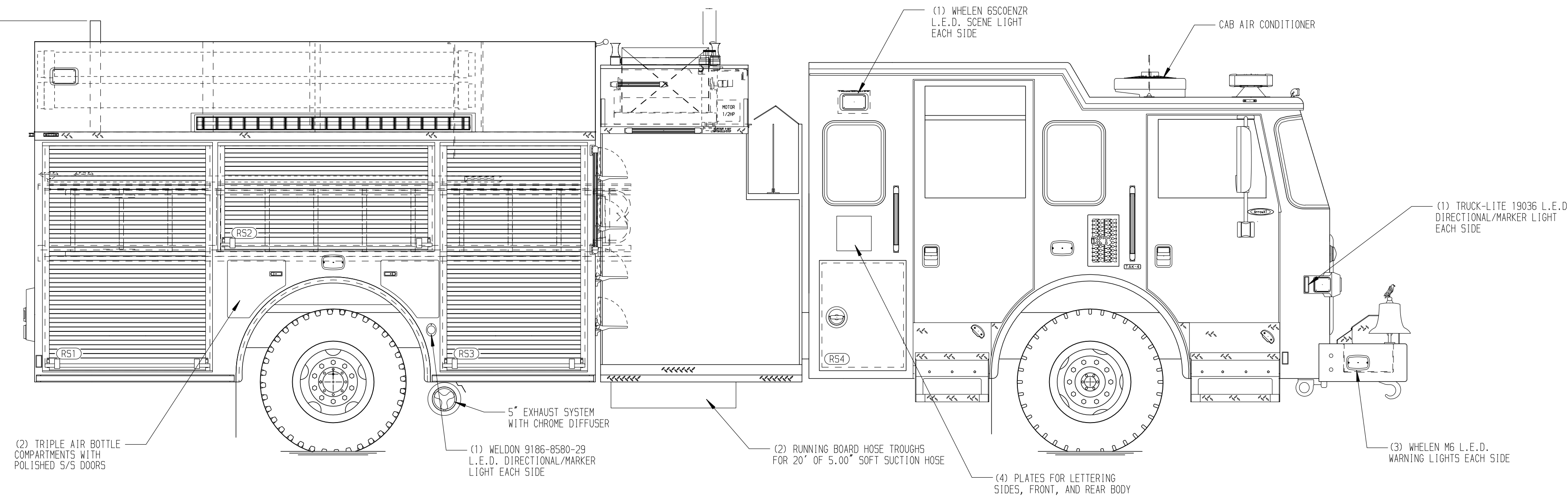
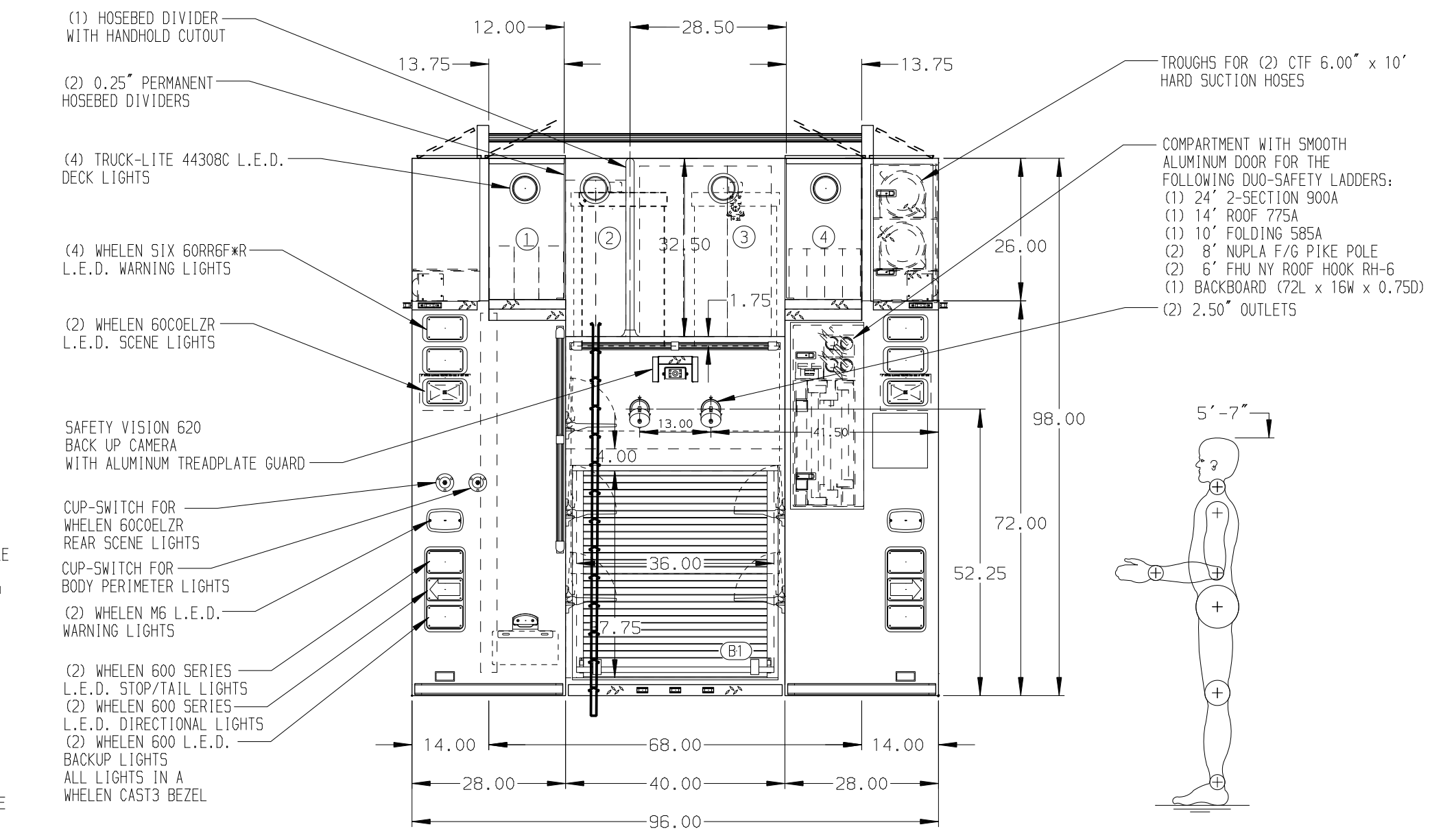
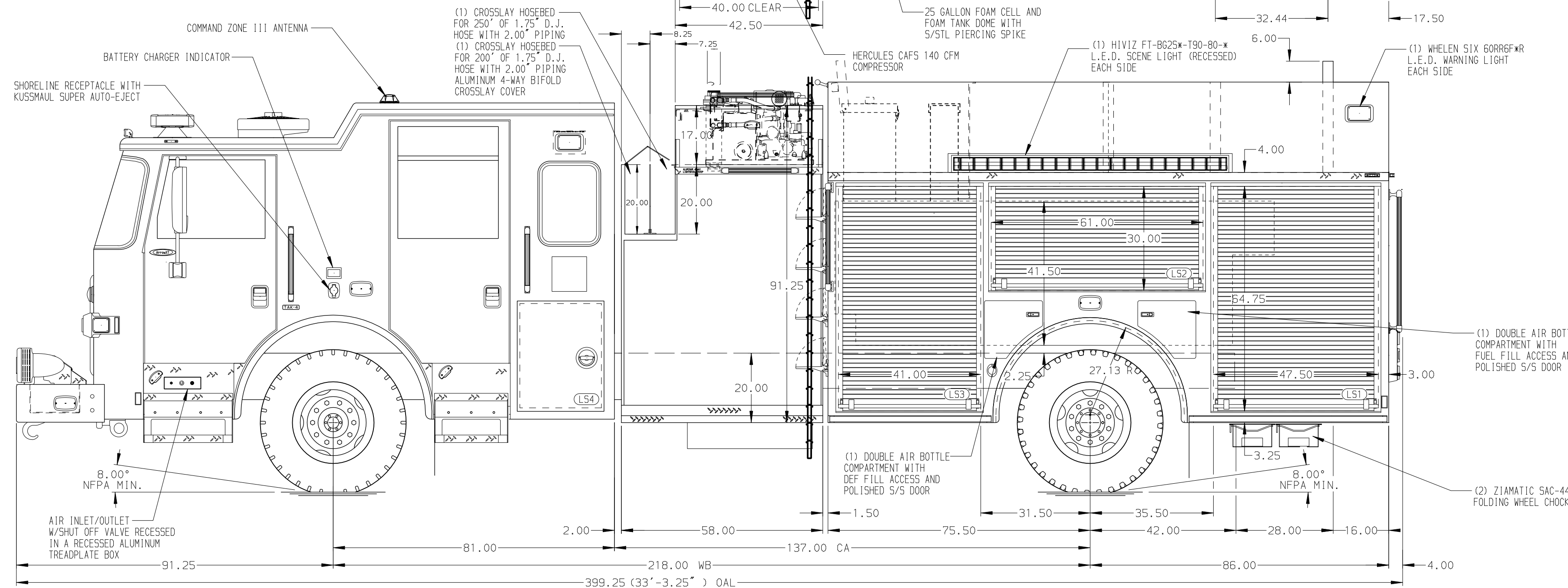


127.00  
(10'-7")  
APPROX  
O.A.H.



- HOSEBED CAPACITIES
- ① 400' OF 2.50" D.J. HOSE
  - ② 600' OF 3.00" D.J. HOSE
  - ③ 1000' OF 5.00" L.D.H.
  - ④ 600' OF 1.75" D.J. HOSE



ALUMINUM BODY

NOTE  
DIMENSIONS SHOWN ARE APPROXIMATE AND ARE SUBJECT TO MINOR DEVIATIONS AS MAY OCCUR OR BE NECESSARY IN CONSTRUCTION.  
MINOR DETAILS NOT SHOWN.

1. STAINLESS STEEL SCUFFPLATE ON EACH CAB DOOR JAMB
2. MOUNTING BASES FOR ANTENNAS LOCATED PER SHOP ORDER
3. BATTERY CHARGER LOCATED IN COMPARTMENT LS3
4. AIR INLET W/NAPA FITTINGS LOCATED IN LS STEP WELL
5. L.E.D. PERIMETER SCENE LIGHTS LOCATED PER SHOP ORDER
6. ALL FOLDING STEPS TO BE TRIDENT WITH INTEGRATED L.E.D. LIGHTS
7. 140 CFM COMPRESSED AIR FOAM SYSTEM
8. DUAL L.E.D. LIGHT STRIPS IN CARGO AREA
9. L.E.D. LIGHT STRIPS IN HATCH COMPARTMENT

140CT21	SAM	JJR	CHASSIS DATA
110CT21	SAM	JJR	MAKE
20SEP21	SAM	JJR	PIERCE
19JUL21	SAM	JJR	MODEL
25JUN21	SAM	JJR	REV
REV	DATE	BY	CH

		JOB NO.	35780
		SCALE	1:24
<b>TITLE</b> 1500-D-655P, 600G WATER W/25G & 30G FOAM, 161" BODY (2) XLAYS, LADDER RACK IN BODY, DELUGE, BOOSTER REEL		DATE	21DEC20
		FOR	CITY OF MIAMI MIAMI, FLORIDA
<b>DWG NO.</b> 35780AD-SH1		CHECKED BY	JJR
		SHEET SIZE	D
		SHEET NO.	1 OF 2