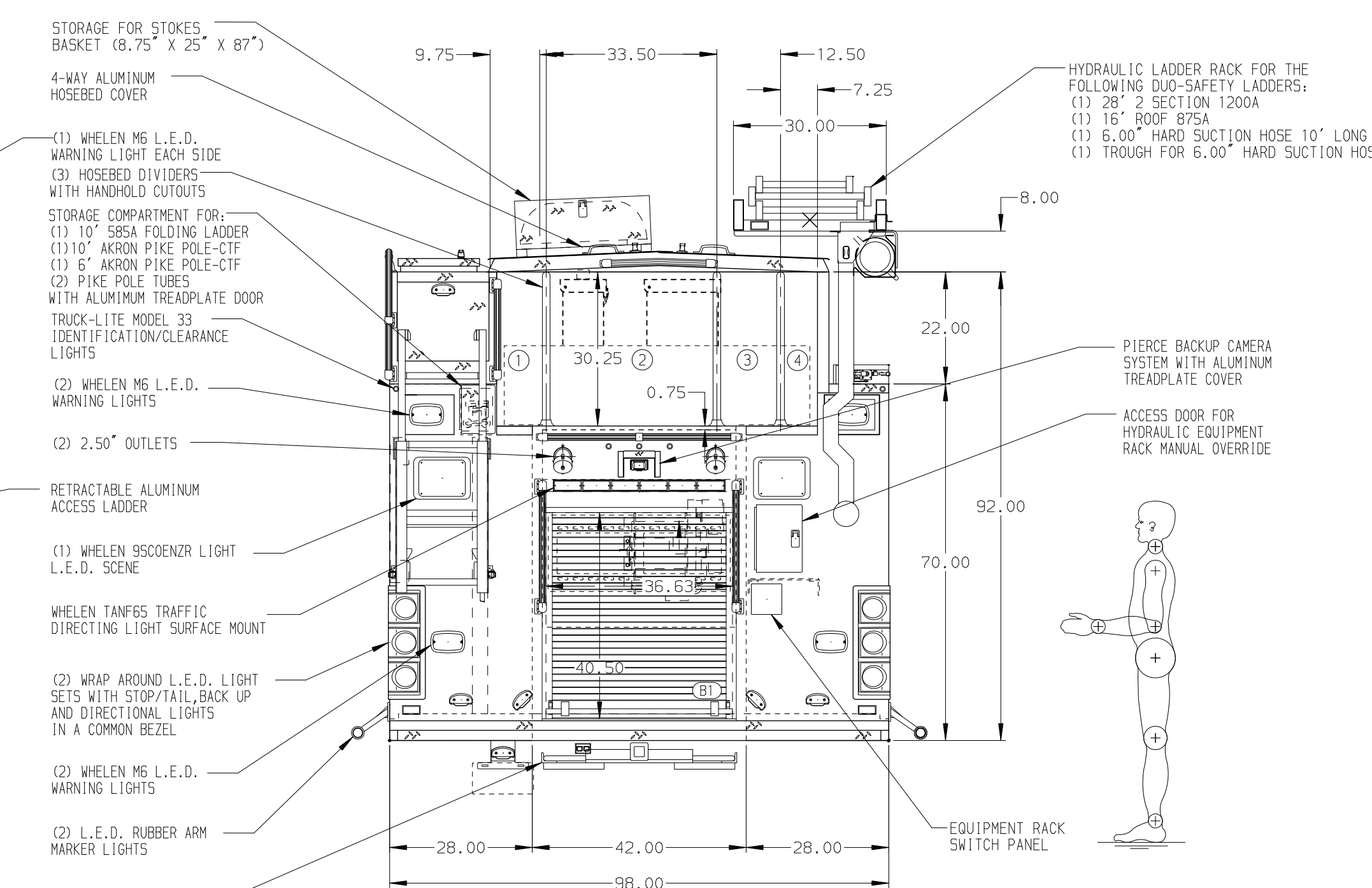
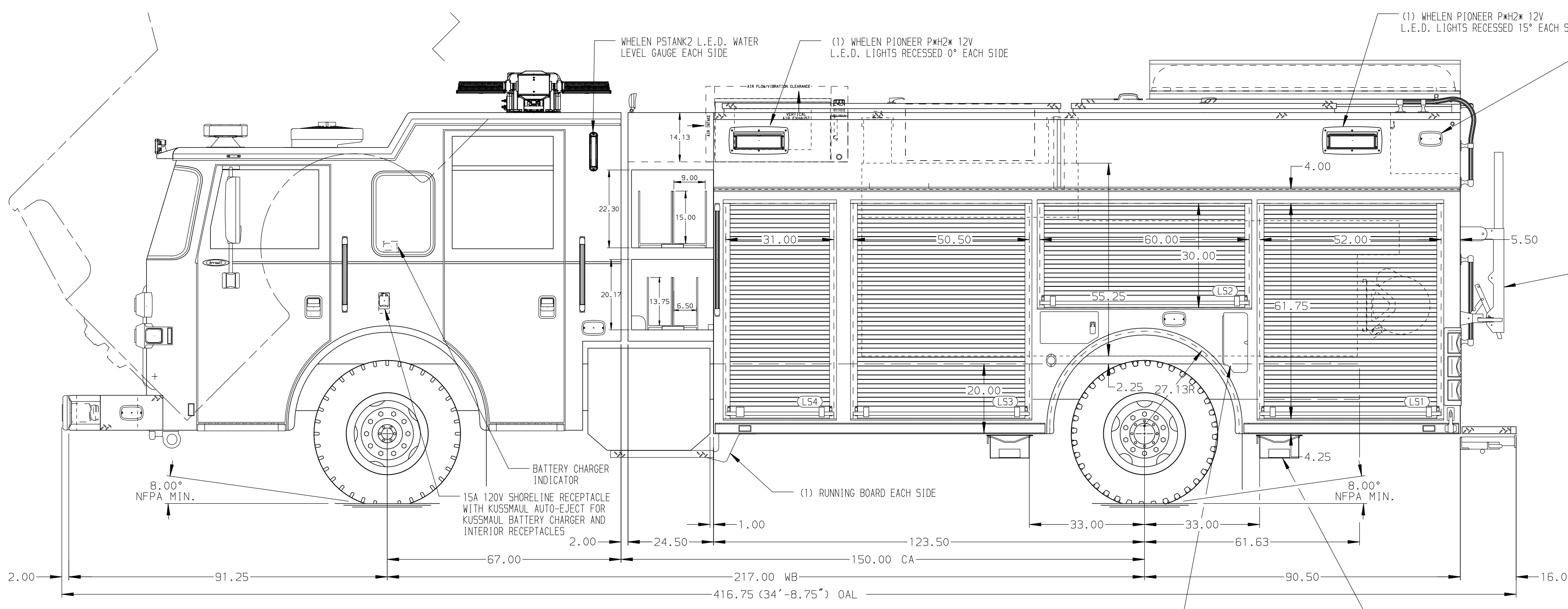


- HOSEBED CAPACITIES
- ① 500' OF 2.50" D.J. POLYESTER HOSE
 - ② 1000' OF 5.00" D.J. POLYESTER HOSE
 - ③ 500' OF 3.00" D.J. POLYESTER HOSE
 - ④ 300' OF 2.50" D.J. POLYESTER HOSE



ALUMINUM BODY

SIDE ROLL AND FRONTAL IMPACT PROTECTION

NOTE
DIMENSIONS SHOWN ARE APPROXIMATE AND ARE SUBJECT TO MINOR DEVIATIONS AS MAY OCCUR OR BE NECESSARY IN CONSTRUCTION. MINOR DETAILS NOT SHOWN.

1. 5/8\"/>
- 2. KUSMAUL 40A BATTERY CHARGER LOCATED BEHIND DRIVER'S SEAT
- 3. AMOR L.E.D. LIGHT STRIPS LOCATED IN HOSE BED AREA
- 4. ONE ADJUSTABLE FULL WIDTH/FULL DEPTH SHELF IN COMPARTMENTS LS1, RS1 AND RS4; TWO IN COMPARTMENT RS3
- 5. ONE FLOOR MOUNTED SLIDE-OUT TRAY IN COMPARTMENTS LS1, RS1, RS3 AND B1
- 6. ONE ADJUSTABLE SLIDE-OUT TRAY IN COMPARTMENT LS3
- 7. ONE ADJUSTABLE TILTING SLIDE-OUT TRAY IN COMPARTMENTS LS2 AND RS2
- 8. ONE SLIDE-OUT ALUMINUM TOOLBOARD WITH PEG BOARD IN COMPARTMENTS LS1 AND RS4
- 9. ONE SWING-OUT TOOLBOARD WITH PEG BOARD IN COMPARTMENT LS3
- 10. RETENTION NETTING IN COMPARTMENT RS4
- 11. THREE POLY TOOL BOXES IN COMPARTMENT LS2
- 12. ONE POLY TOOL BOX 10X16X22. IN COMPARTMENT LS2
- 13. ONE L-SHAPED PARTITION IN COMPARTMENT LS3
- 14. ONE VERTICAL PEGBOARD PARTITION IN COMPARTMENTS LS1 AND RS4
- 15. ALUMINUM PEGBOARD ON THE REAR WALL OF COMPARTMENTS LS1, LS3 AND RS1
- 16. 4-MAY ALUMINUM ON THE FLOOR OF COMPARTMENT RS4
- 17. CABLE RELEASE FOR TILT TRAYS IN COMPARTMENTS LS2 AND RS2
- 18. TWO-SLOT AIR BAG RACK IN COMPARTMENT RS2
- 19. CIRCUIT BREAKER PANEL IN COMPARTMENT LS3
- 20. ONE HANNAY ELECTRIC REWIND CORD REEL MODEL 1618-17.18 IN COMPARTMENT B1 WITH 200' OF 10/3 CABLE
- 21. AIR INLET WITH DISCONNECT COUPLING IN DS STEP WELL
- 22. ONE SLIDE-OUT TOOLBOARD BOX LOCATED IN COMPARTMENT RS4
- 23. JUNCTION BOX HOLDER MOUNTED AT PICK-UP

		JOB NO.	35752		
		SCALE	DATE		
TITLE		1500-D-1000P TANK, 900GAL WATER (2) 50GAL FOAM CELLS 214\"/>	DRAWN BY	LME	17DEC20
FOR		MONEE FIRE PROTECTION DISTRICT	CHECKED BY	NPE	21DEC20
DWG NO.		35752AD	SHEET SIZE	D	SHEET NO. 1 OF 1

REV	DATE	BY	CH	ARROW	XT
1	1MAY21	LME	NPE		
2	19APR21	LME	NPE		
3	10MAR21	LME	NPE		
4	26FEB21	LME	NPE		
5	30DEC20	LME	NPE		