

PUMPER BODY

Medium Aluminum 2nd Gen Pumper

CHASSIS

Enforcer Chassis

CHASSIS AXLE, FRONT, CUSTOM
18,000 Lb Dana Axle

AXLE, REAR
24,000 Lb Dana Axle

ENGINE
450 HP Cummins L9 Engine

TRANSMISSION
Allison 5th Gen, 3000 EVS P

BUMPER
10" Extended Painted Steel

CAB
7010 Enforcer Cab

BODY WATER TANK
750 Gallon New York Style Water Tank

COMPT, PUMPER, REAR
30.75" FF RollUp Rear Compt

COMPT, PUMPER, LEFT SIDE
152" Lap Full Height Front & Rear FOLER

COMPT, PUMPER, RIGHT SIDE
152" Lap Low FOLER

FIRE SUPPRESSION PUMPHOUSE

45" Control Zone Side Mount

PUMP

1500 GPM Waterous CSU

CROSSLAYS, 1.50"
(2) 1.50" Standard Capacity

CROSSLAYS, 2.50"
(1) 2.50" Standard Capacity

SPEEDLAYS
SpeedLays Not Required

GENERATOR
Generator Not Required

Foam System
Foam System Not Required

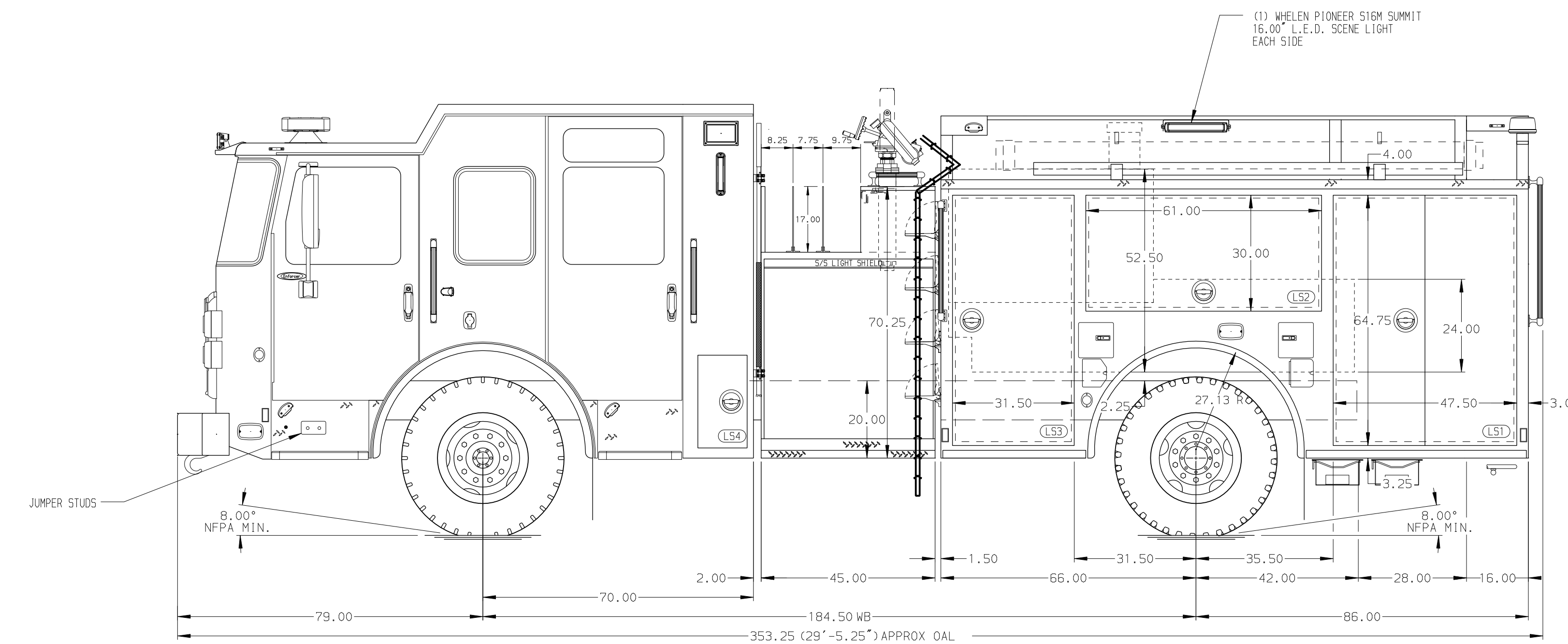
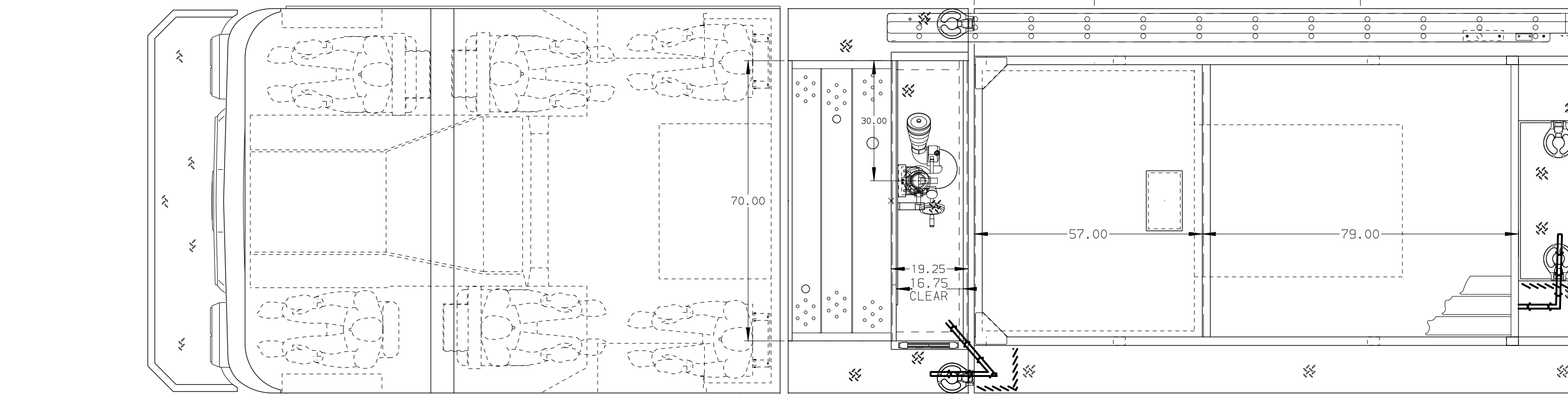
Foam Cell
Foam Cell Not Required

Side Roll and Frontal Impact Protection

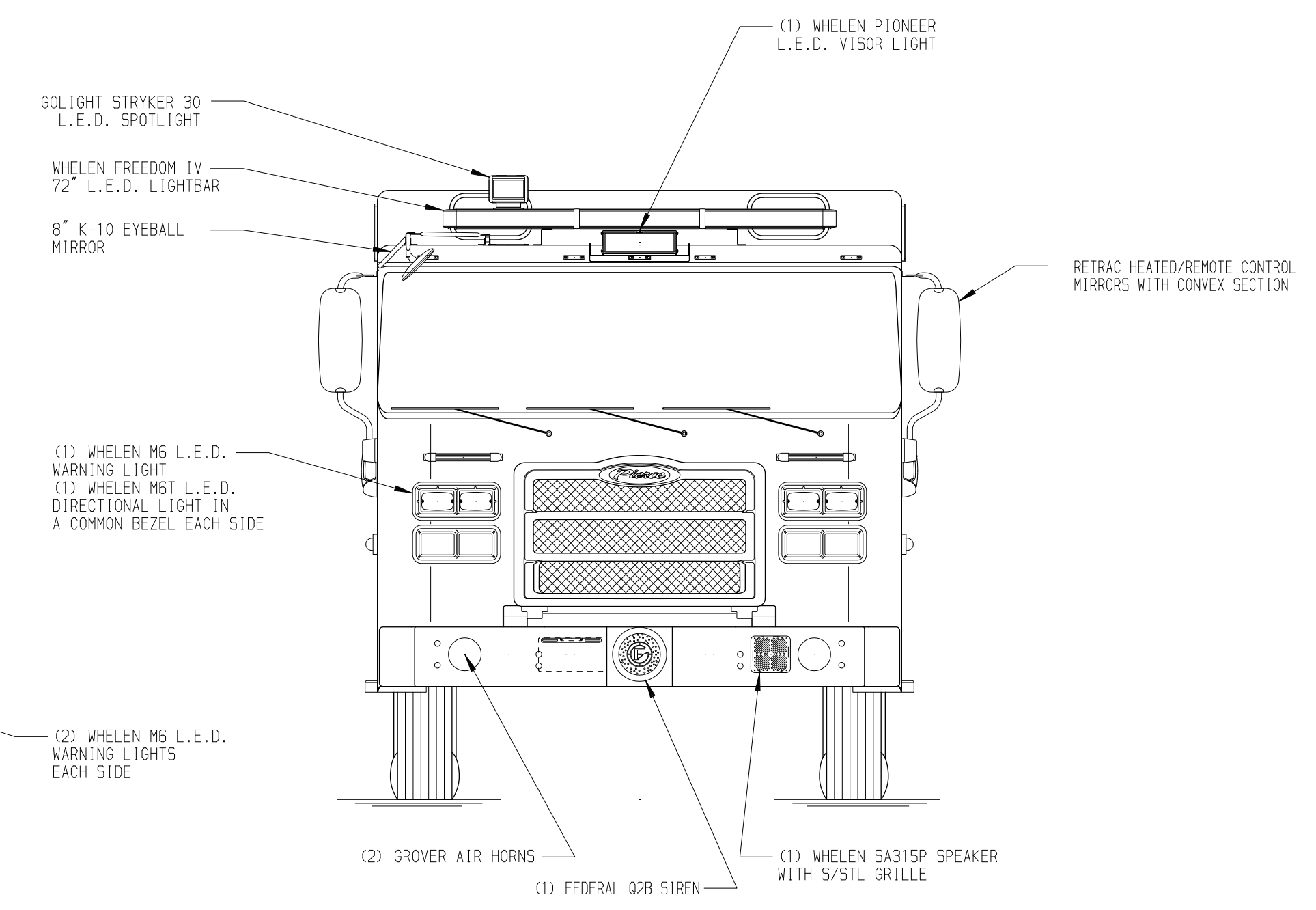
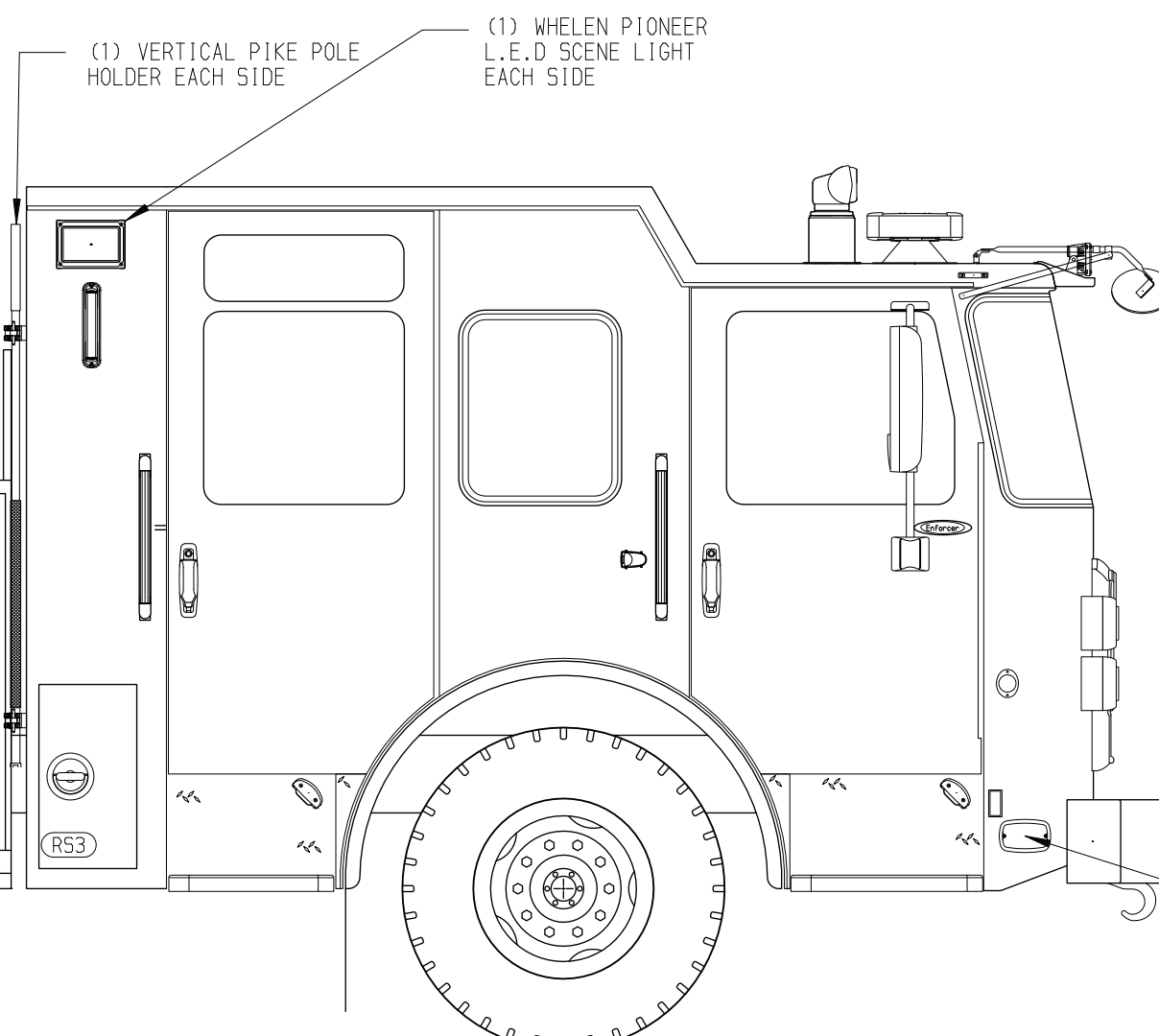
NOTE
DIMENSIONS SHOWN ARE APPROXIMATE AND ARE SUBJECT TO MINOR DEVIATIONS AS MAY OCCUR OR BE NECESSARY IN CONSTRUCTION. MINOR DETAILS NOT SHOWN.

1. SHORELINE RECEPTACLE WITH KUSSMALL SUPER AUTO-EJECT LOCATED ON DRIVER SIDE OF THE CAB
2. AIR INLET WITH DISCONNECT COUPLING IN THE DRIVER SIDE STEPELL
3. BATTERY CHARGER LOCATED IN COMPARTMENT PER SHOP ORDER
4. BATTERY CHARGE INDICATOR LOCATED ON THE DRIVER SIDE SEAT RISER
5. ADJUSTABLE SHELVES IN COMPARTMENTS PER SHOP ORDER
6. ONE FLOOR MOUNTED SLIDE-OUT TRAY IN COMPARTMENT PER SHOP ORDER
7. ONSPOT AUTOMATIC TIRE CHAINS
8. WHEEL CHOCKS AND MOUNTING PROVIDED BY FIRE DEPARTMENT
9. JUMPER STUDS ON DRIVER SIDE STEP WELL
10. ONE SWING-OUT TOOLBOARD LOCATED IN COMPARTMENT PER SHOP ORDER
11. ONE EXTRUDED HOSEBED DIVIDER TO BE SHIPPED LOOSE

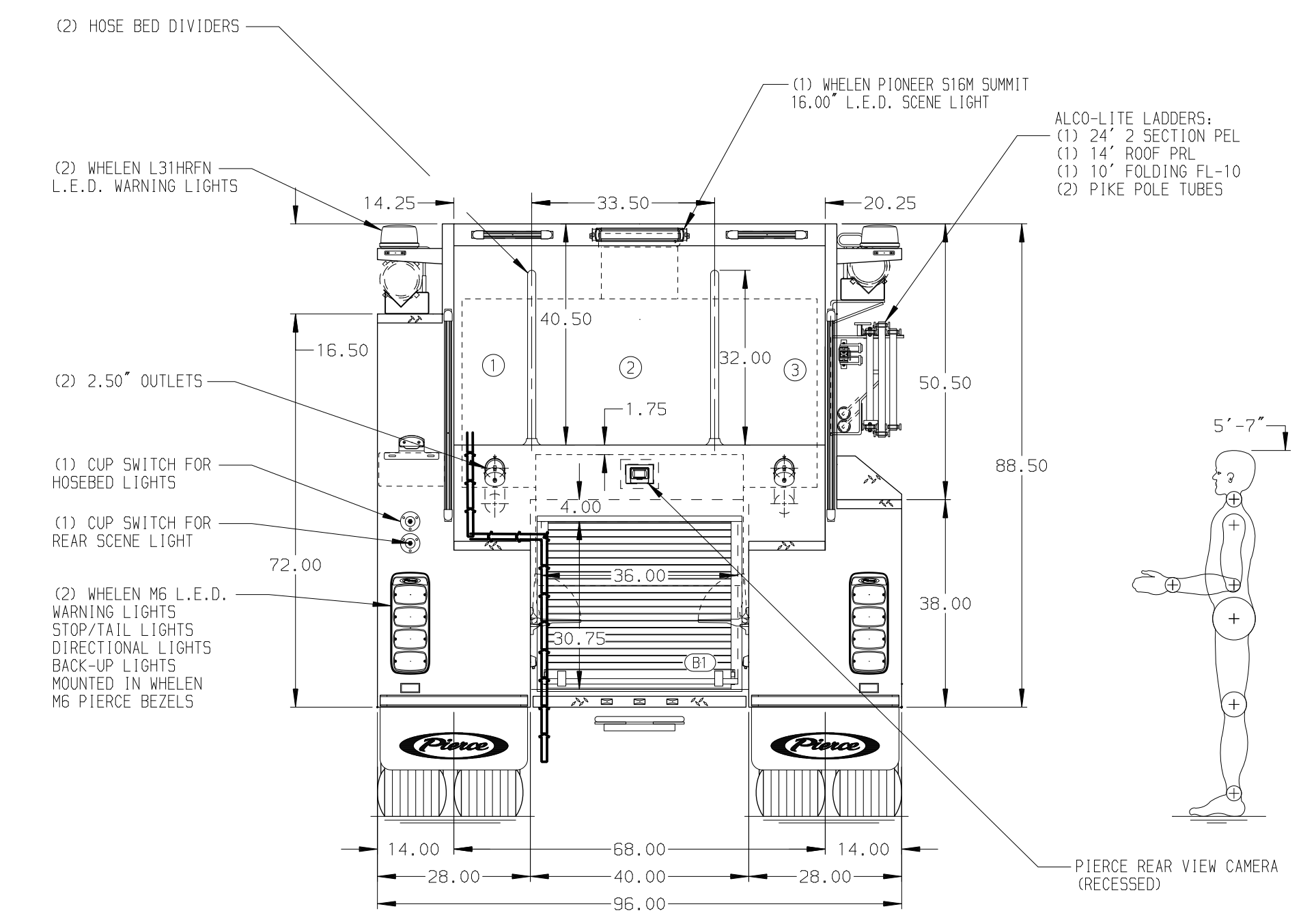
114.00
(9'-6")
APPROX
O.A.H.



MAXIMUM O.A.L. 353.00" MAXIMUM O.A.H. 114.00"



HOSEBED CAPACITY	
BED 1	300' OF 2.50" D.J. POLY HOSE
BED 2	1000' OF 5.00" D.J. POLY HOSE
BED 3	300' OF 3.00" D.J. POLY HOSE



		JOB NO.	35744																									
		SCALE	01-02																									
Pierce MANUFACTURING INC.		TITLE	Pierce Pumper Approval Drawing																									
		FOR	Haverhill Fire Department																									
<table border="1"> <tr> <th>REV</th> <th>DATE</th> <th>BY</th> <th>CH</th> <th>ENFORCER</th> </tr> <tr> <td>1</td> <td>12MAR21</td> <td>MMF</td> <td>CW1</td> <td>CHASSIS DATA</td> </tr> <tr> <td>2</td> <td>24FEB21</td> <td>MMF</td> <td>CW1</td> <td>MAKE</td> </tr> <tr> <td>3</td> <td>18DEC20</td> <td>MMF</td> <td>CW1</td> <td>PIERCE</td> </tr> <tr> <td>4</td> <td>05NOV20</td> <td>MMF</td> <td>CW1</td> <td>MODEL</td> </tr> </table>		REV	DATE	BY	CH	ENFORCER	1	12MAR21	MMF	CW1	CHASSIS DATA	2	24FEB21	MMF	CW1	MAKE	3	18DEC20	MMF	CW1	PIERCE	4	05NOV20	MMF	CW1	MODEL	DWG NO.	35744AD
		REV	DATE	BY	CH	ENFORCER																						
1	12MAR21	MMF	CW1	CHASSIS DATA																								
2	24FEB21	MMF	CW1	MAKE																								
3	18DEC20	MMF	CW1	PIERCE																								
4	05NOV20	MMF	CW1	MODEL																								
<p>Side Roll and Frontal Impact Protection</p>		CHECKED BY	COL																									
		SHEET SIZE	D																									
<p>Side Roll and Frontal Impact Protection</p>		DATE	29SEP20																									
		SHEET NO.	1 OF 1																									