

PUMPER BODY

Long Aluminum 2nd Gen Pumper

CHASSIS

Enforcer Chassis

CHASSIS AXLE, FRONT, CUSTOM

20,000 Lb Dana Axle

AXLE, REAR

27,000 Lb Dana Axle

ENGINE

450 HP Cummins L9 Engine

TRANSMISSION

Allison 5th Gen, 3000 EVS P

BUMPER

19" Extended Stainless Steel

CAB

6010 Enforcer Cab

BODY WATER TANK

1000 Gallon Poly Water Tank

COMPT, PUMPER, REAR

58.00" FF RollUp Rear Compt

COMPT, PUMPER, LEFT SIDE

161" RollUp Full Height Front & Rear FDLR

COMPT, PUMPER, RIGHT SIDE

161" RollUp Full Height Front & Rear FDLR

FIRE SUPPRESSION PUMPHOUSE

48" Control Zone Top Mount

PUMP

1500 GPM Darley PSM

CROSSLAYS, 1.50"

1.50" Crosslays Not Required

CROSSLAYS, 2.50"

2.50" Crosslay Not Required

SPEEDLAYS

(2) 1.50" W/Troy Std. Capacity

GENERATOR

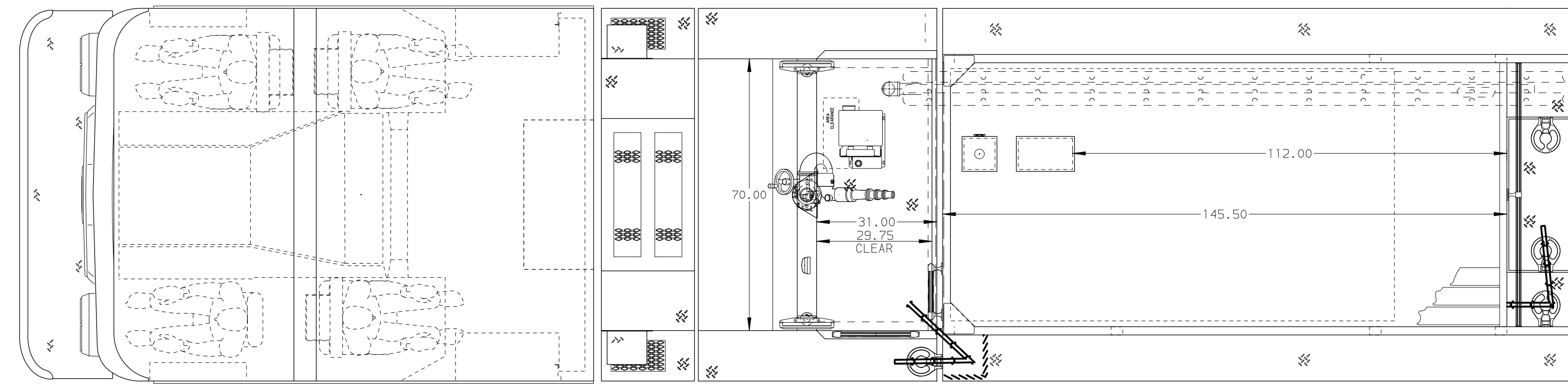
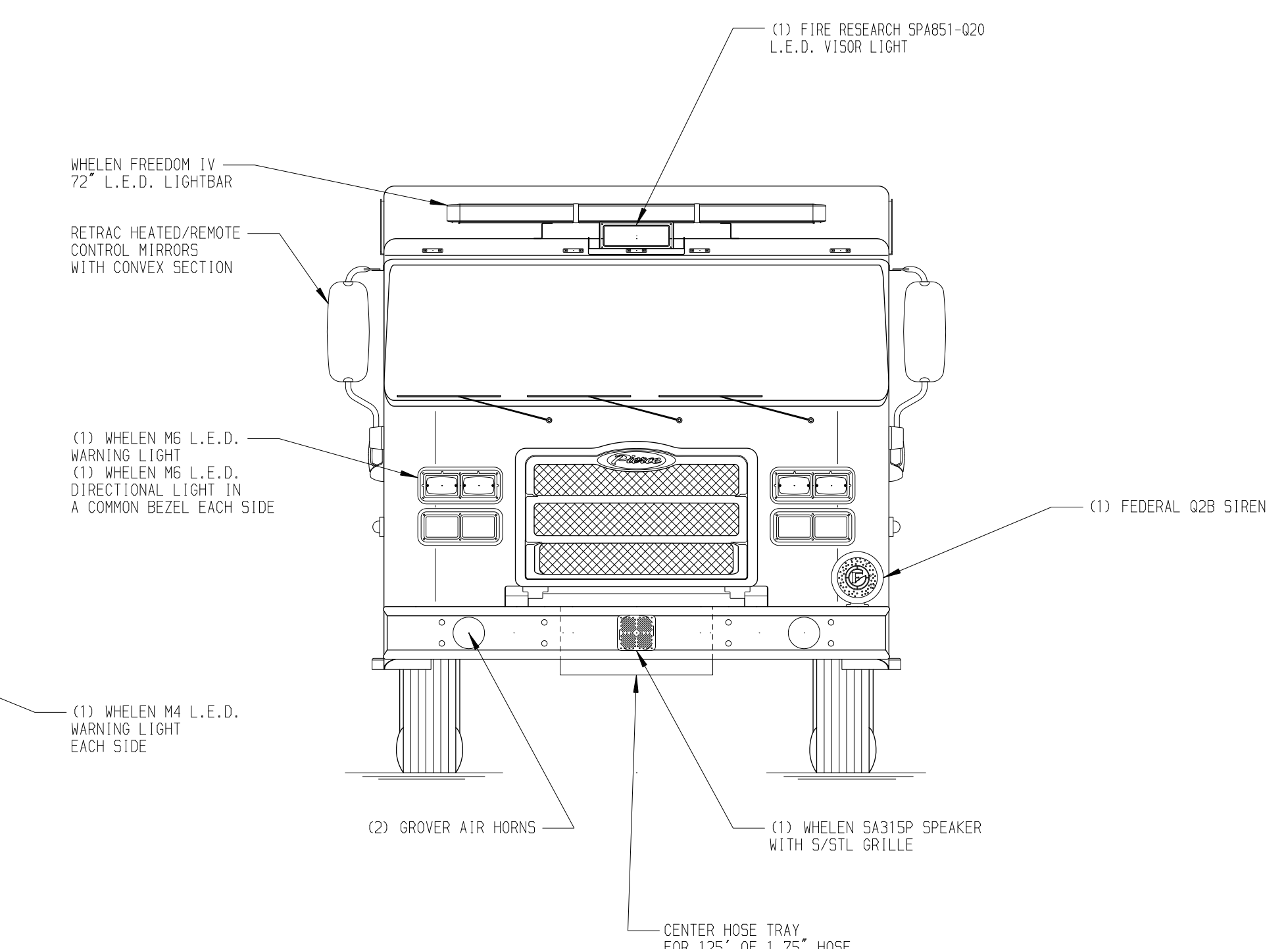
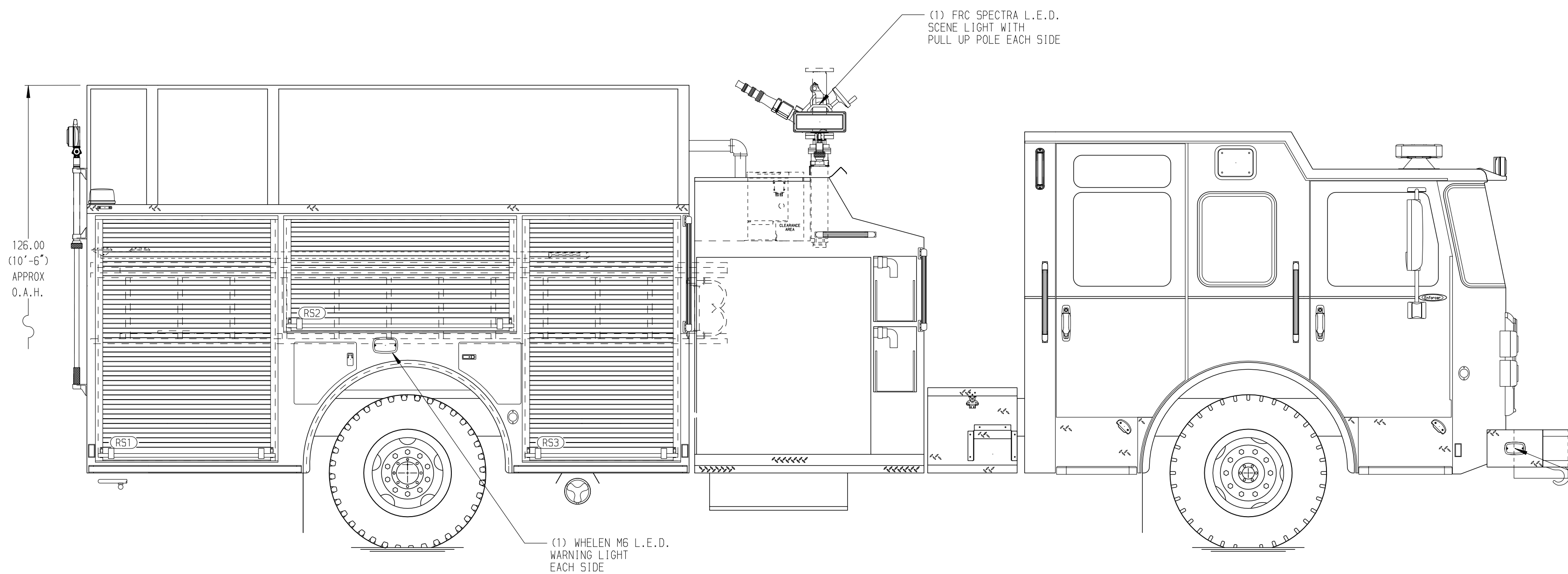
Generator Not Required

Foam System

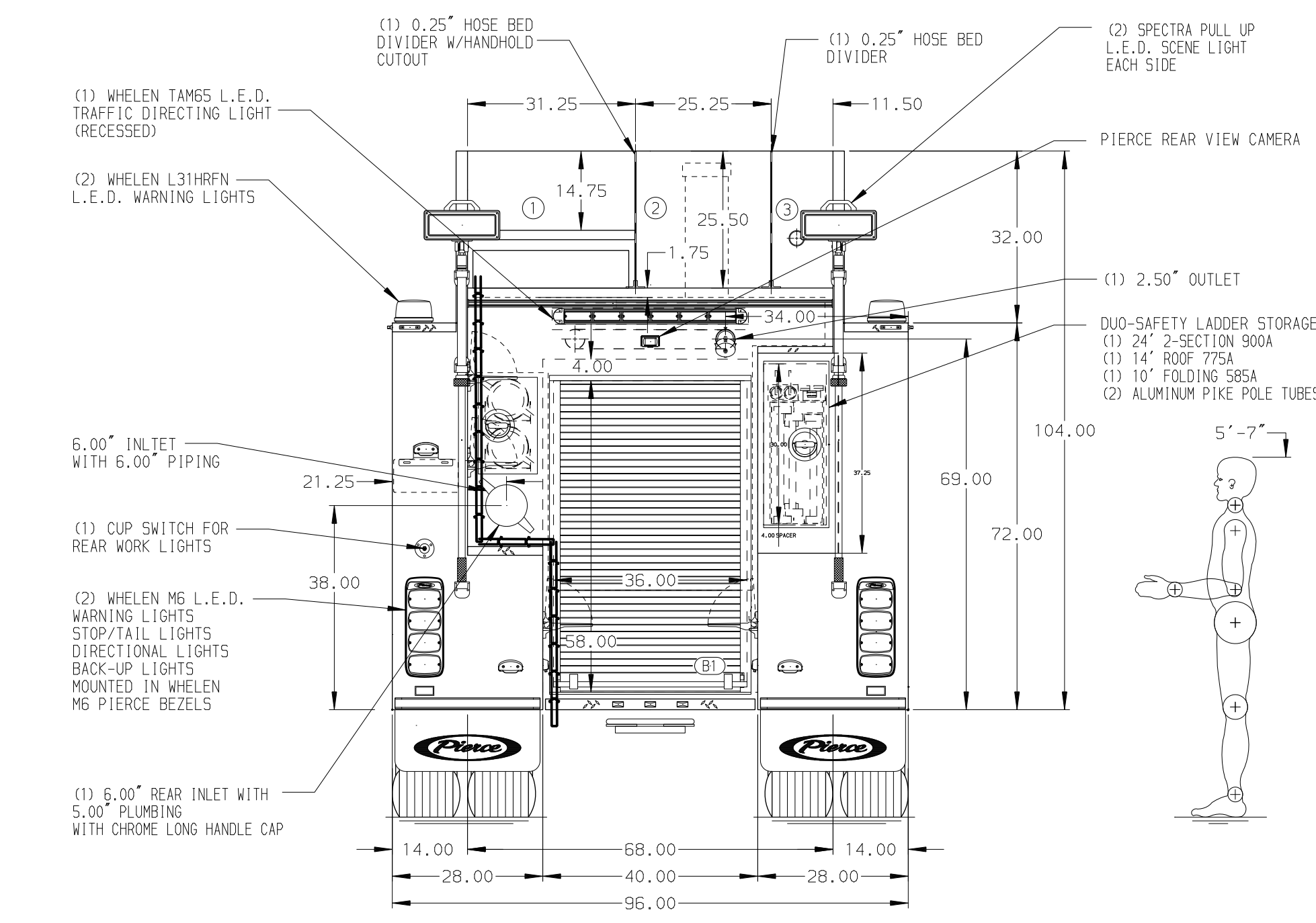
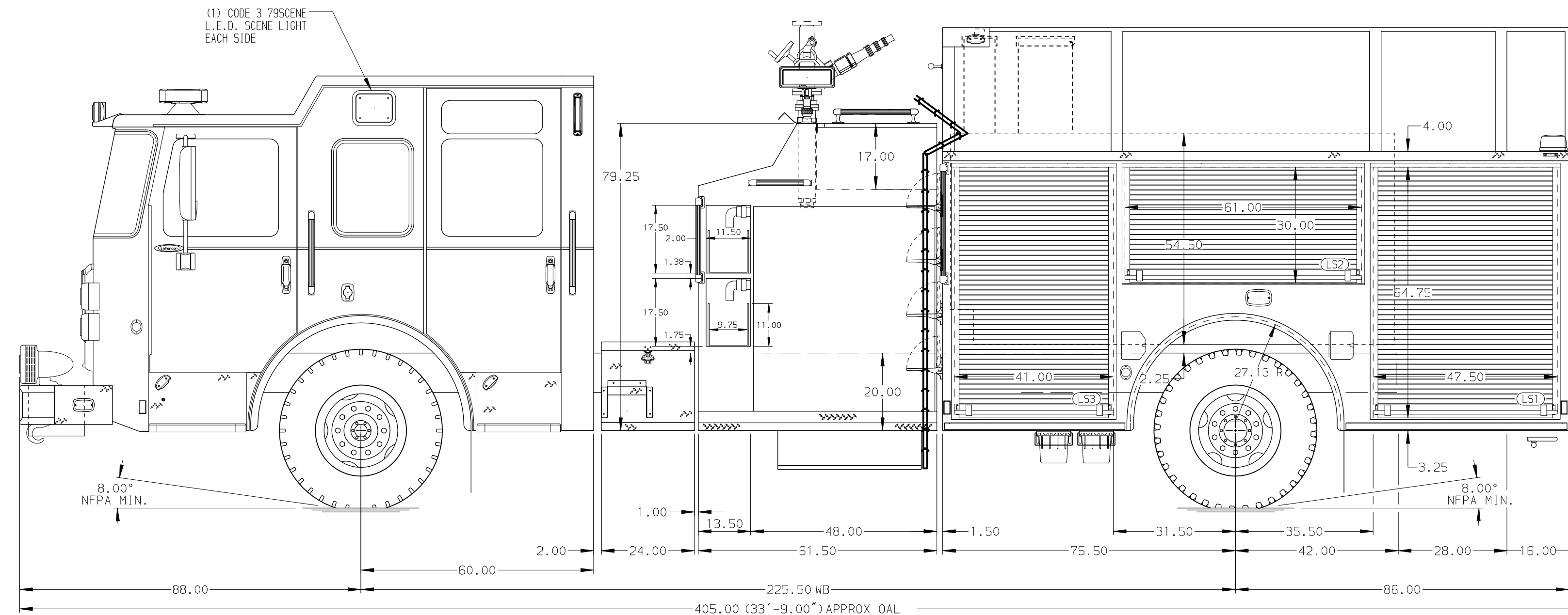
Husky 3 Single Agent Foam System

Foam Cell

25 Gallon Foam Cell, Not Reduced Water



HOSEBED CAPACITY	
BED 1	500' OF 2.50" D.J. POLY HOSE 2100 GALLON PORTABLE TANK
BED 2	950' OF 5.00" D.J. POLY HOSE
BED 3	200' OF 2.50" D.J. POLY HOSE



MAXIMUM O.A.H 132.00"

NOTE
DIMENSIONS SHOWN ARE APPROXIMATE AND ARE SUBJECT TO MINOR DEVIATIONS AS MAY OCCUR OR BE NECESSARY IN CONSTRUCTION. MINOR DETAILS NOT SHOWN.

- ONE 1.50 OUTLET WITH 2.00 PIPING AND SWIVEL LOCATED IN CENTER BUMPER TRAY
- SHORELINE RECEPTACLE WITH KUSSMAUL SUPER AUTO-EJECT LOCATED ON DRIVER SIDE OF THE CAB
- AIR INLET WITH DISCONNECT COUPLING IN THE DRIVER SIDE STEPWELL
- BATTERY CHARGER LOCATED IN COMPARTMENT PER SHOP ORDER
- BATTERY CHARGE INDICATOR DISPLAY THROUGH WINDOW DRIVER SIDE
- SEVEN ADJUSTABLE SHELVES IN COMPARTMENTS PER SHOP ORDER
- ONE FLOOR MOUNTED TRAY LOCATED IN COMPARTMENT PER SHOP ORDER
- PAC TRAC ON COMPARTMENT WALLS IN COMPARTMENT PER SHOP ORDER

REV	DATE	BY	CH	ENFORCER
23FEB21	MMF	PJP		
20JAN21	MMF	PJP		

		JOB NO.	35713
		SCALE	DATE
TITLE	Pierce Pumper Approval Drawing	DRAWN BY	MMF
FOR	Strum-Unity Fire Department	CHECKED BY	COL
DWG NO.	35713AD	SHEET SIZE	SHEET NO.
		D	1 OF 1