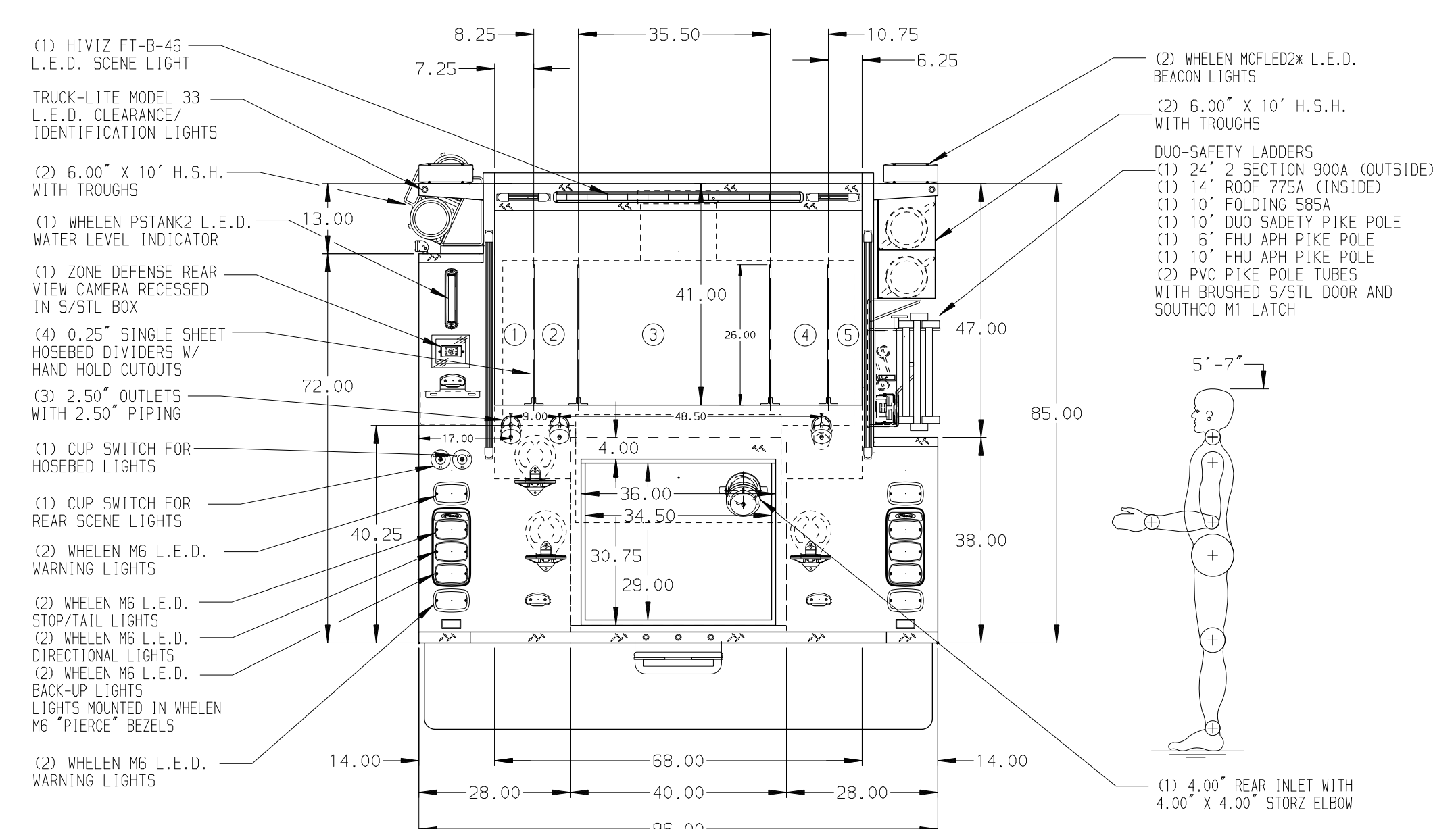
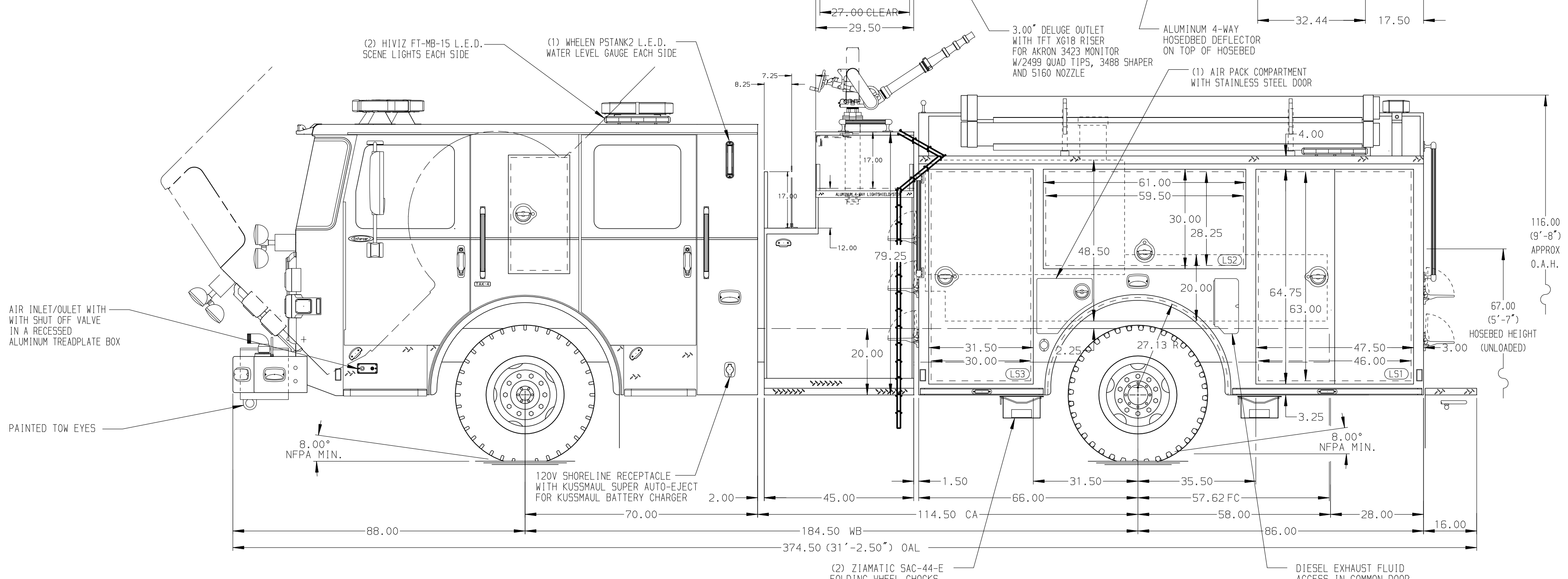


- HOSEBED CAPACITIES
- ① 300' OF 1.75" MERCEDES HOSE
 - ② 300' OF 2.00" MERCEDES HOSE
 - ③ 1200' OF 4.00" MERCEDES HOSE
 - ④ 600' OF 3.00" MERCEDES HOSE
 - ⑤ 300' OF 2.50" MERCEDES HOSE



ALUMINUM BODY

SIDE ROLL AND FRONTAL IMPACT PROTECTION

NOTE
DIMENSIONS SHOWN ARE APPROXIMATE AND ARE SUBJECT TO MINOR DEVIATIONS AS MAY OCCUR OR BE NECESSARY IN CONSTRUCTION. MINOR DETAILS NOT SHOWN.

- 1. PUMP PANEL DRAWING REQUIRED
- 2. INSTA-CHAIN AUTOMATIC TIRE CHAINS TO BE PROVIDED AT REAR
- 4. BATTERY CHARGER LOCATED BEHIND DRIVER'S SEAT
- 5. BATTERY CHARGER INDICATOR LOCATED ON DRIVER'S SEAT RISER
- 6. PULL STRAP ON DOOR IN COMPARTMENT LS2
- 7. REVERSED HINGED DOOR ON COMPARTMENT LS3

REV	DATE	BY	CH	ENFORCER
1	12MAR21	JWO	JBL	CHASSIS DATA
2	08MAR21	JWO	JBL	MAKE
3	11FEB21	JWO	JBL	PIERCE
4	09DEC20	JWO	JBL	MODEL

		JOB NO.	35711
		SCALE	DATE
TITLE	1500-D-750P 152" FHF&R DS, LOW SIDE PS, (2)CROSSLAYS (3)HARD SUCTION HOSES, GENERATOR, ZICO QUIC-LIFT PS	DRAWN BY	JWO
FOR	FREDERICK COUNTY FREDERICK, MARYLAND	CHECKED BY	JBL
DWG NO.	35711AD-SH1	SHEET SIZE	SHEET NO.
		D	1 OF 1