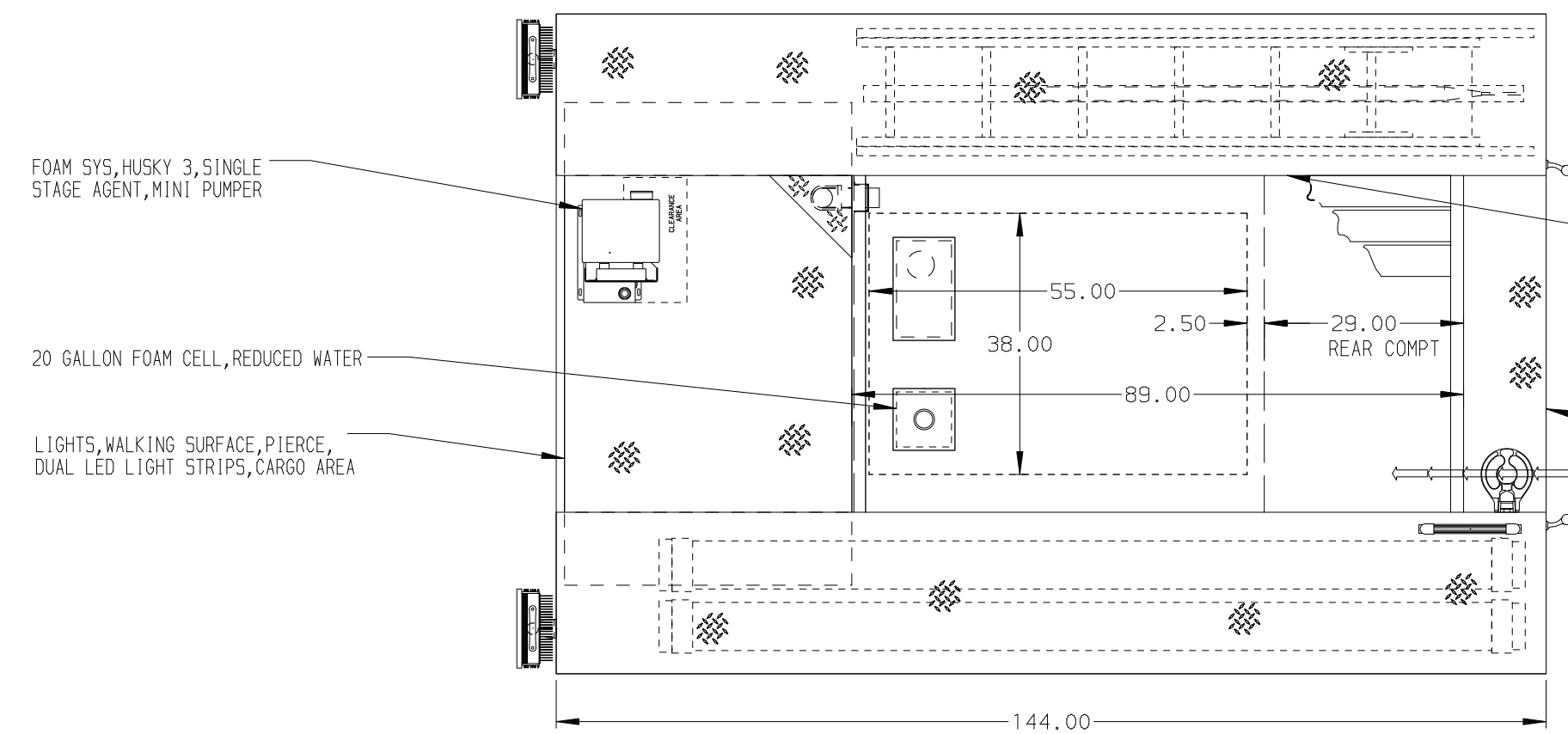
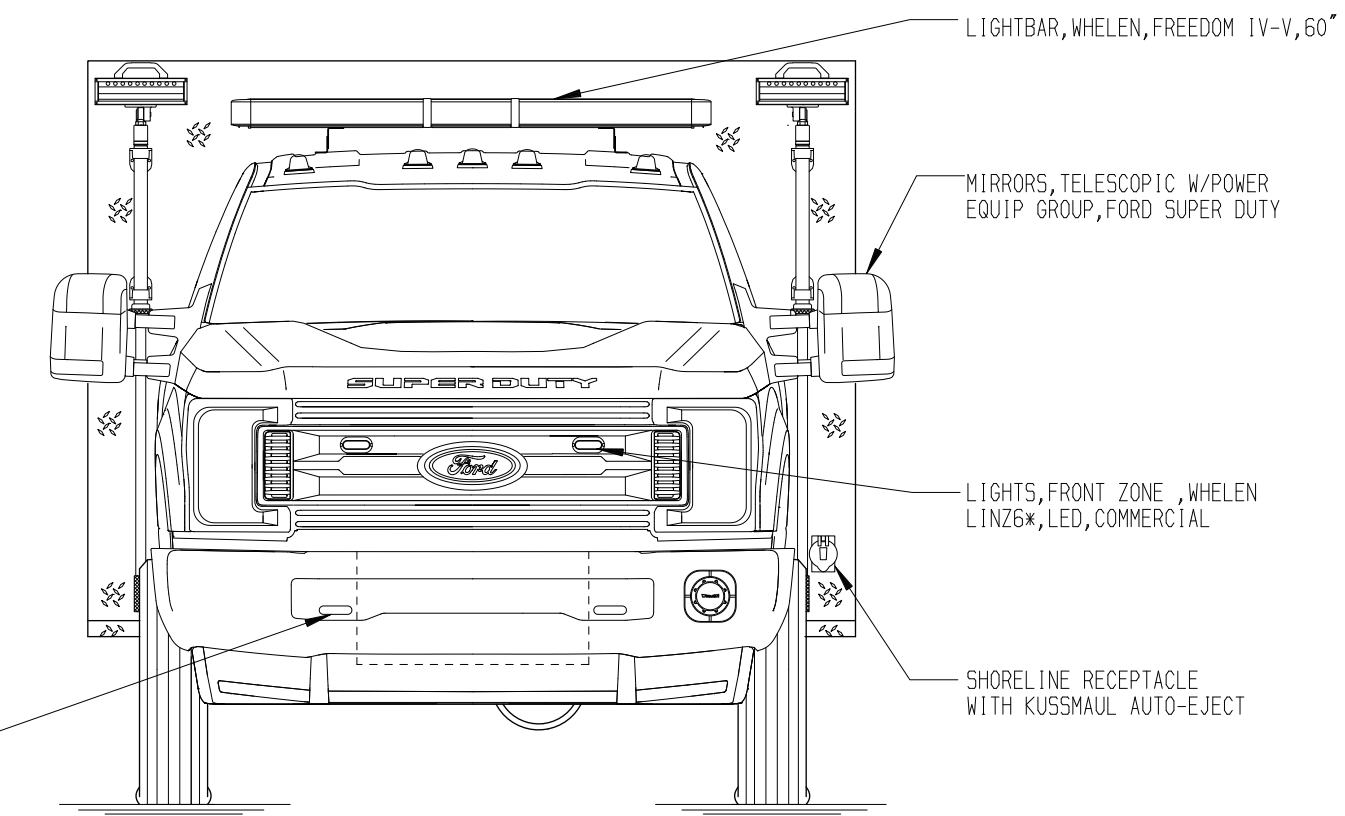
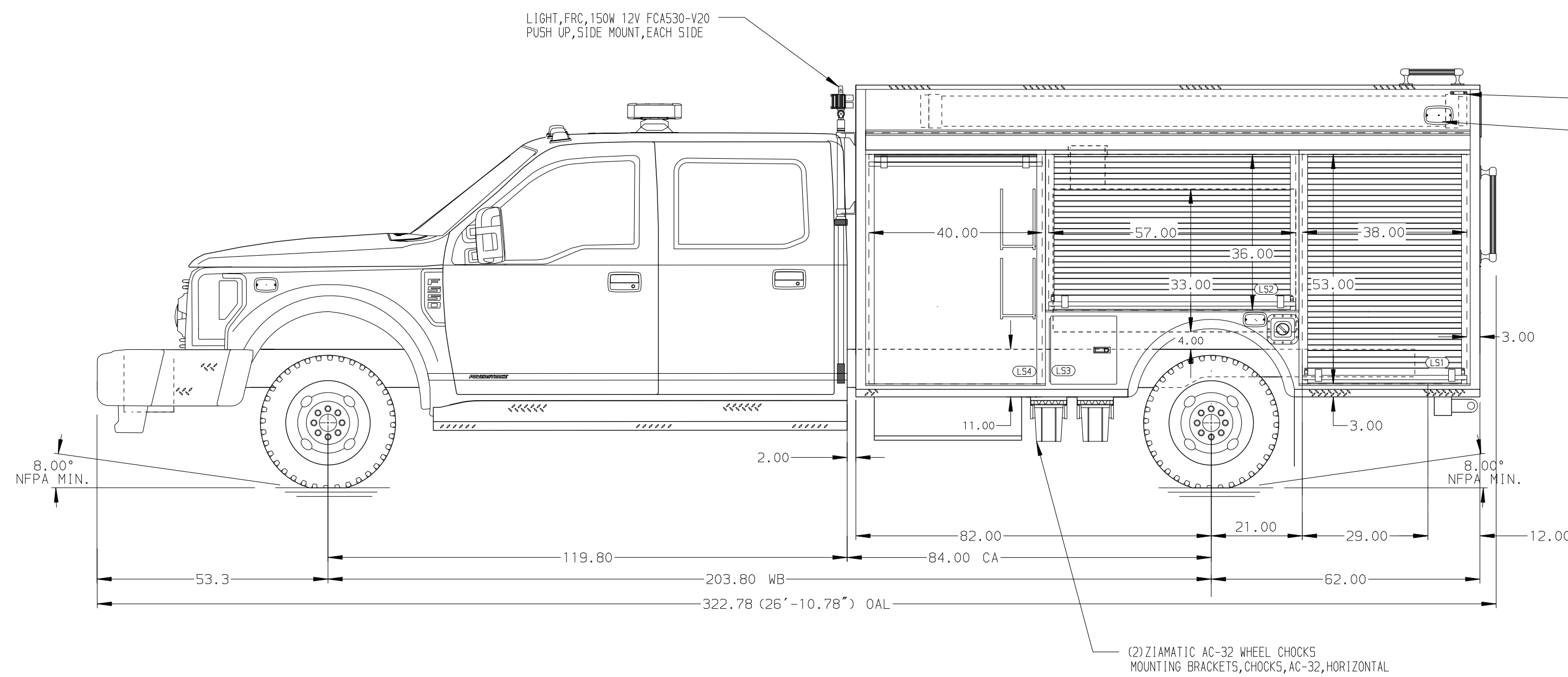


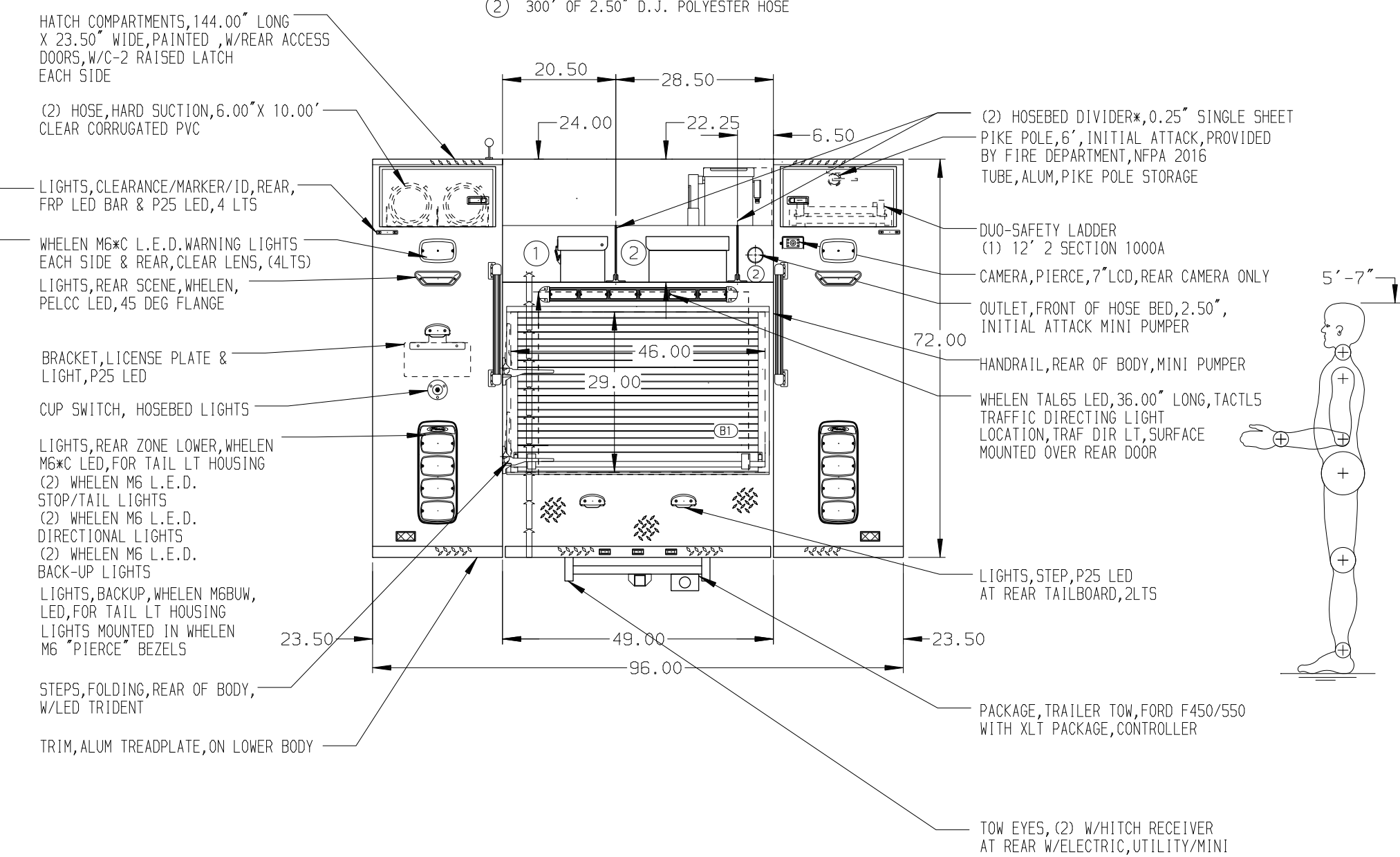
- (2) WHELEN M4 L.E.D. WARNING LIGHTS EACH SIDE
- OUTLET, FRONT, 1.50" W/2.00" PLUMBING, IN CENTER TRAY
- BUMPER EXTENSION, 15", FORD SUPER DUTY, F450/F550
- TRAY, HOSE, CENTER, 15" EXTD BUMPER, FORD, 100" OF 1.75" DJH
- (2) TOW EYES, PAINTED



- LIGHTS, HOSEBED, SIDES, DUAL LED LIGHT STRIPS
- TAILBOARD/REAR STEP, 12", INITIAL ATTACK MINI PUMPER



- HOSEBED CAPACITIES
- ① 400' OF 1.50" D.J. POLYESTER HOSE
 - ② 300' OF 2.50" D.J. POLYESTER HOSE



ALUMINUM BODY

NOTE
DIMENSIONS SHOWN ARE APPROXIMATE AND ARE SUBJECT TO MINOR DEVIATIONS AS MAY OCCUR OR BE NECESSARY IN CONSTRUCTION. MINOR DETAILS NOT SHOWN.

Pierce MANUFACTURING INC.
BRADENTON, FLORIDA

JOB NO.	35706
DATE	11 JAN 21
TITLE	1500-D-230 POLY, 20 FOAM, 84" CA, MINI PUMPER BODY (2) SPEEDLAYS
FOR	TOWNSHIP OF MINDEN HILLS MINDEN, ONTARIO
DRWG. NO.	35706AD
SHEET NO.	1 OF 1
SHEET SIZE	D
SCALE	1:24
DRAWN BY	RHU
CHK'D BY	RWI

REV.	DATE	BY	CHK'D	CHASSIS DATA	CHASSIS FORD	MODEL F-550 4X4
24MAR21		RHU	NAS			