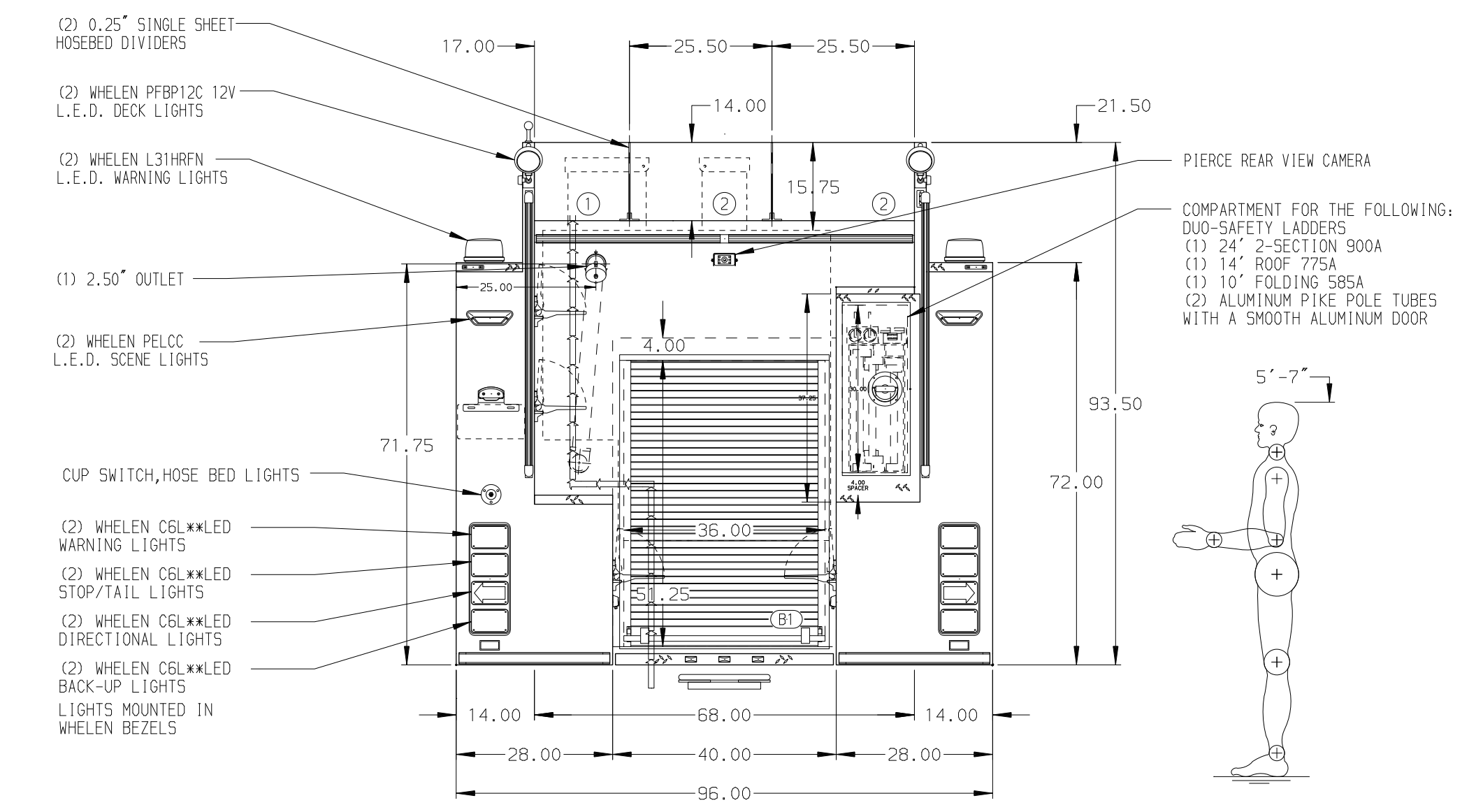
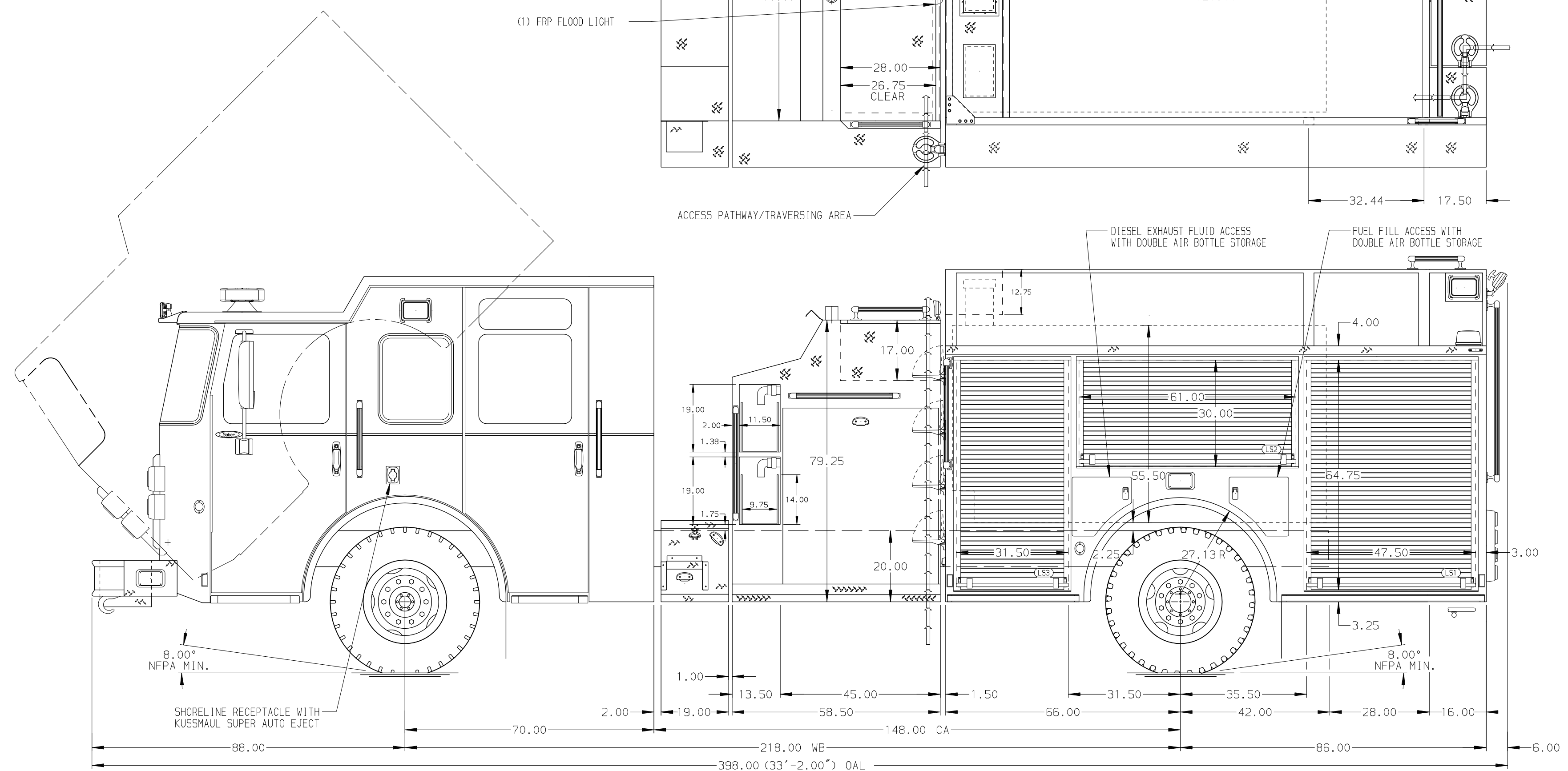


HOSEBED CAPACITIES

① 400' OF 2.50" D.J. HOSE

② 1000' OF 5.00" D.J. HOSE



ALUMINUM BODY

NOTE
DIMENSIONS SHOWN ARE APPROXIMATE AND ARE SUBJECT TO MINOR DEVIATIONS AS MAY OCCUR OR BE NECESSARY IN CONSTRUCTION. MINOR DETAILS NOT SHOWN.

		JOB NO.	35690
		SCALE	DATE
TITLE 1500-D-1030P, 1000 GAL WATER W/30 GAL FOAM CELL 152" PUMPER BODY, TOP CONTROL, LADDERS BESIDE TANK		DRAWN BY	06NOV20
		CHECKED BY	10NOV20
MAKE PIERCE MODEL SABER FR		SHEET SIZE	SHEET NO.
		DWG NO.	1 OF 1

35690AD