

# Pumper, PUC

Body  
Pumper, PUC, Aluminum  
Chassis  
Enforcer Chassis, PUC

## CHASSIS AXLE, FRONT, CUSTOM

19,500 lb TAK-4 Axle

## AXLE, REAR

27,000 lb Meritor Axle

## ENGINE

450 HP DD13 Engine

## TRANSMISSION

Allison 5th Gen, 3000 EVS P

## BUMPER

19" Extended Stainless Steel

## CAB

7010 Enforcer Cab, PUC

## BODY

Water Tank

500 Gallon Poly Water Tank

## COMPT, PUMPER, REAR

33.50" FF RollUp Rear Compt w/Tailboard, PUC

## COMPT, PUMPER, LEFT SIDE

189" RollUp Full Height & Depth Front & Rear, PUC

## COMPT, PUMPER, RIGHT SIDE

189" RollUp Full Height & Depth Front & Rear, PUC

## FIRE SUPPRESSION PUMPHOUSE

Control Zone, PUC

## PUMP

1500 GPM Pierce PUC

## CROSSLAYS, 1.50"

(2) 1.50", Poly Trays, 200"

## CROSSLAYS, 2.50"

(1) 2.50", Poly Tray, 200"

## GENERATOR

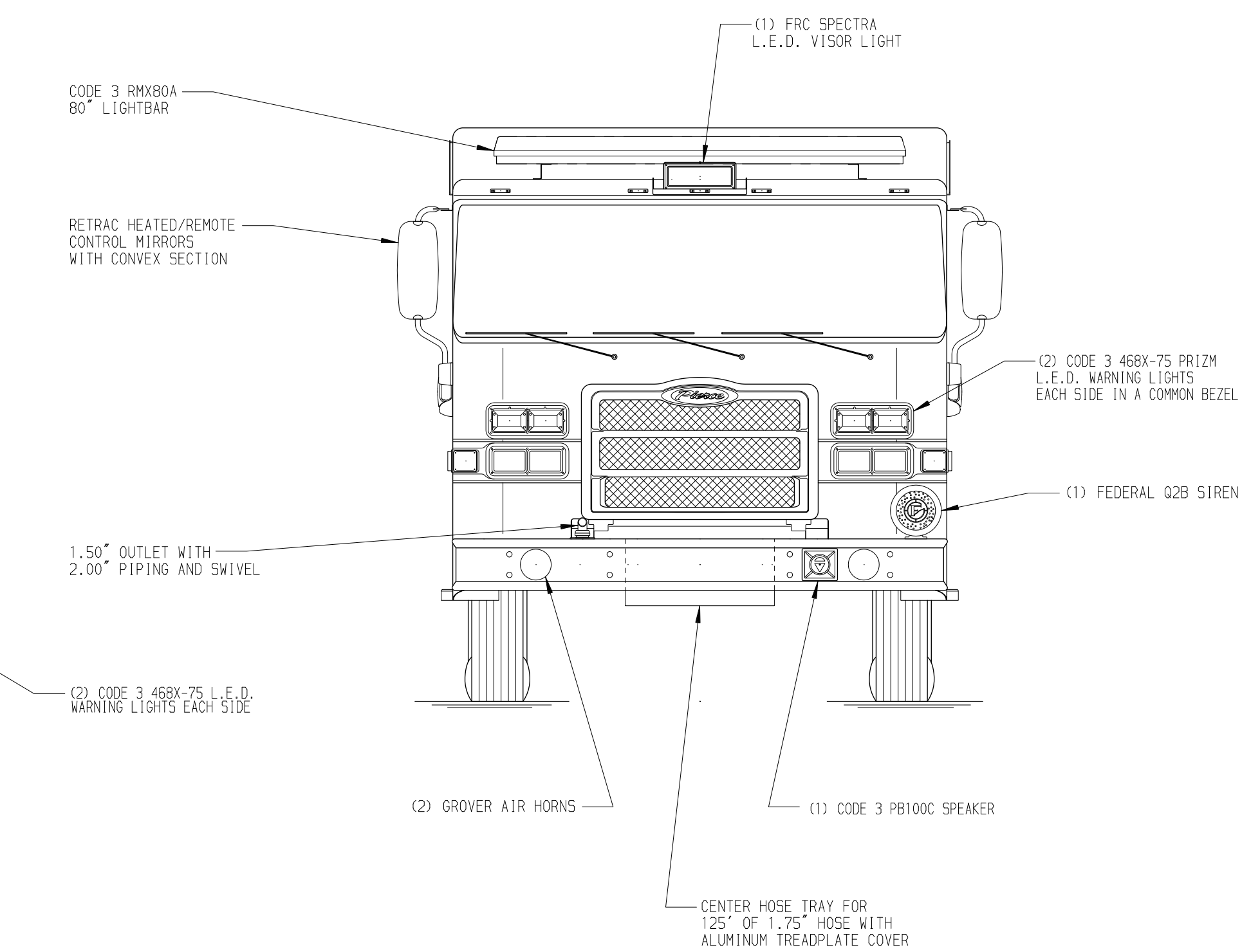
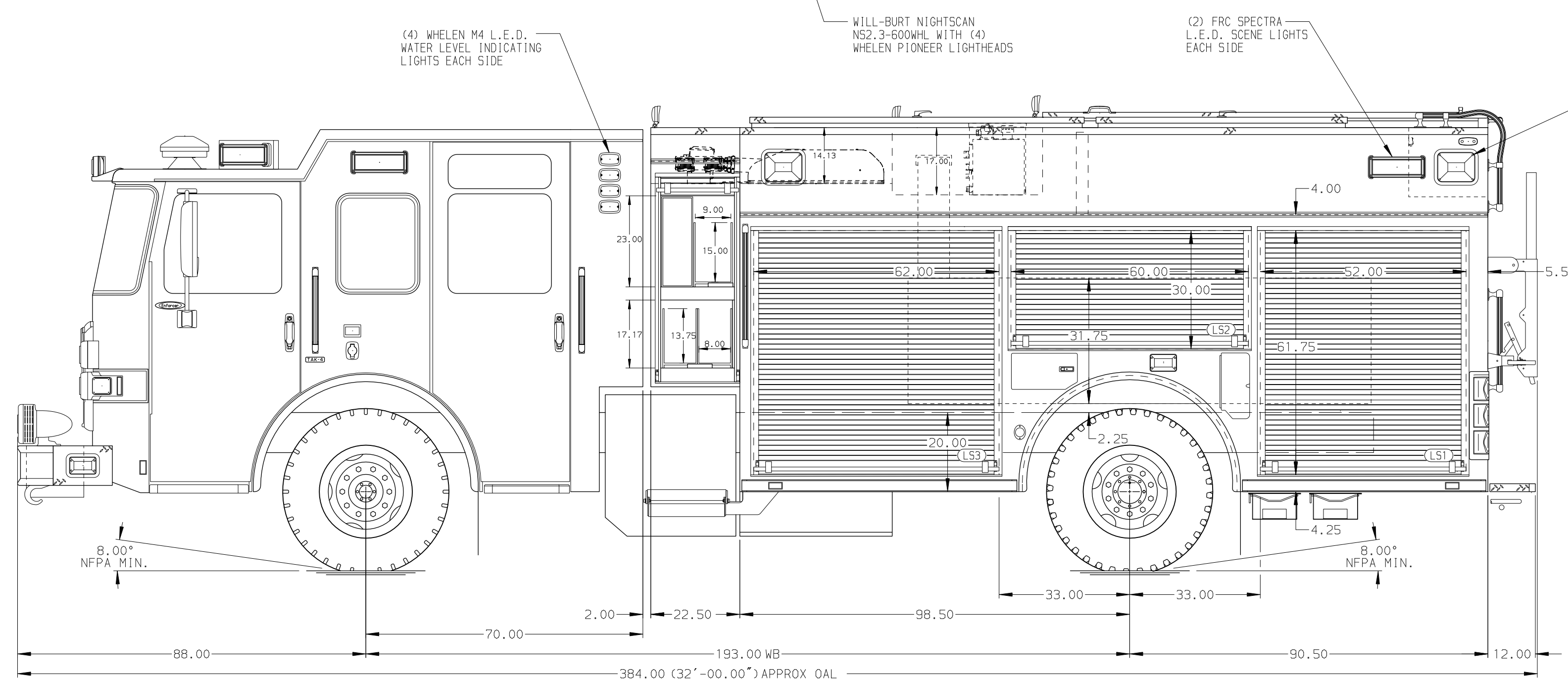
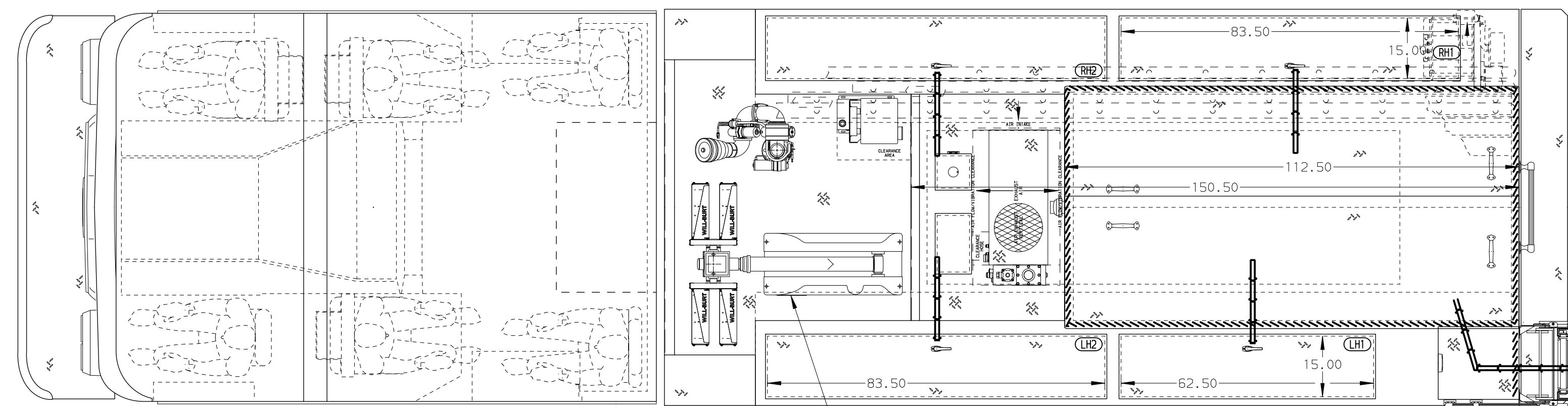
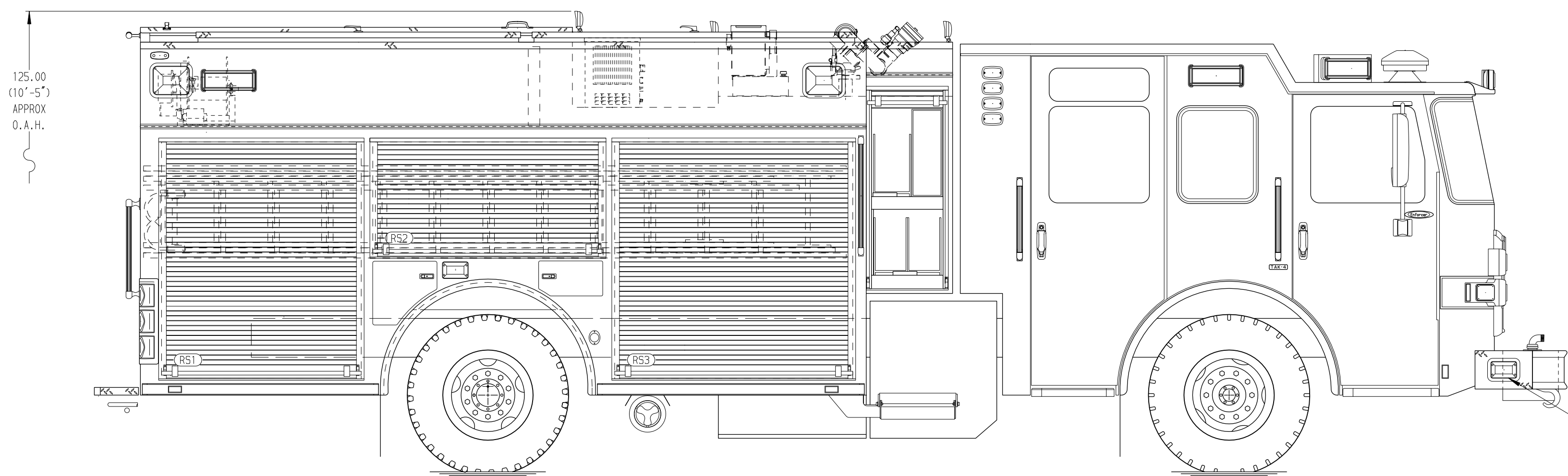
Harrison 3.6kW MCR Hydraulic Generator

## Foam System

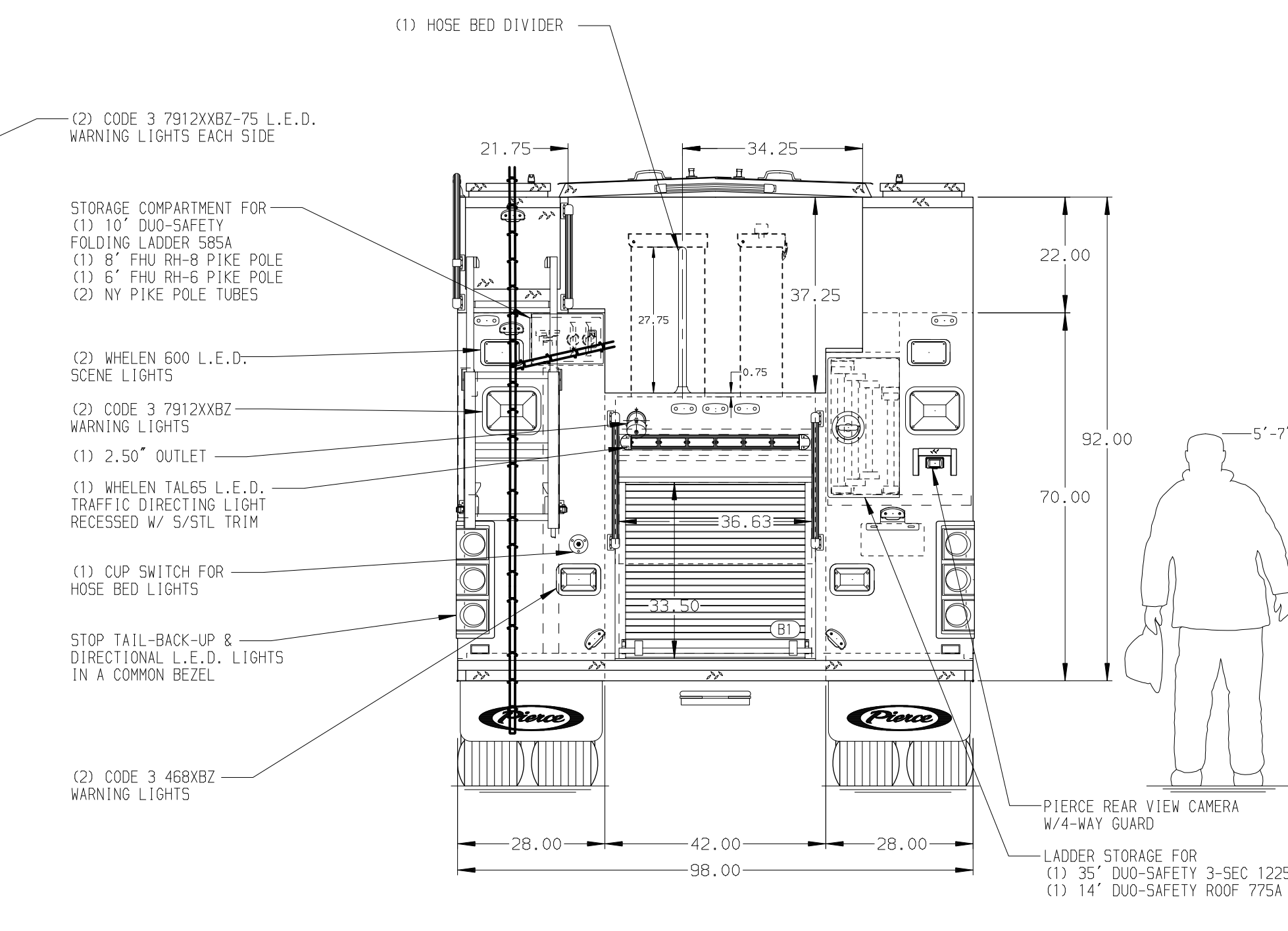
Husky 3 Single Agent Foam System

## Foam Cell

20 Gallon Foam Cell, Not Reduced Water, PUC



HOSEBED CAPACITY	
BED 1	600' OF 2.50" D.J. POLY HOSE
BED 2	1000' OF 5.00" D.J. POLY HOSE



**NOTE**  
DIMENSIONS SHOWN ARE APPROXIMATE AND ARE SUBJECT TO MINOR DEVIATIONS AS MAY OCCUR OR BE NECESSARY IN CONSTRUCTION. MINOR DETAILS NOT SHOWN.

- AUTOMATIC TIRE CHAINS
- SHORELINE RECEPTACLE WITH KUSSMALL SUPER AUTO-EJECT LOCATED ON DRIVER'S SIDE OF THE CAB
- AIR OUTLET WITH SHUT OFF VALVE LOCATED ON PUMP OPERATORS PANEL
- BATTERY CHARGER LOCATED IN EMS COMPARTMENT
- BATTERY CHARGE INDICATOR LOCATED ON DRIVER'S SIDE OF THE CAB
- ADJUSTABLE SHELVES LOCATED PER SHOP ORDER
- OIL DRY HOPPER LOCATED PER SHOP ORDER
- VERTICAL PARTITIONS LOCATED PER SHOP ORDER
- CIRCUIT BREAKER PANEL LOCATED PER SHOP ORDER
- HANNAY CABLE REEL (EF1618-17-18) WITH 200' OF 10/3 CORD LOCATED PER SHOP ORDER
- ONE SLIDE-OUT TRAY LOCATED IN COMPARTMENT PER SHOP ORDER
- TWO FLOOR MOUNTED SLIDE-OUT TRAYS LOCATED IN COMPARTMENT PER SHOP ORDER
- ONE SWING-OUT TOOLBOARD LOCATED IN COMPARTMENT PER SHOP ORDER
- TWO PEGBOARDS MOUNTED ON BACK WALL IN COMPARTMENTS PER SHOP ORDER

REV	DATE	BY	CH	ENFORCER
08APR21	MMF	PJP		
23FEB21	MMF	PJP		

		JOB NO.	35683
		SCALE	DATE
TITLE	Pierce PUC Pumper Approval Drawing		
FOR	Marshalltown Fire Department		
DWG NO.	35683AD		
CHECKED BY	COL	CHECKED BY	MMF
SHEET SIZE	D	SHEET NO.	1 OF 1