

Pumper, PUC

Body
Pumper, PUC, Aluminum
Chassis
Enforcer Chassis, PUC

CHASSIS

AXLE, FRONT, CUSTOM
18,000 Lb Dana Axle
AXLE, REAR
27,000 Lb Dana Axle

ENGINE
455 HP Cummins X12 Engine

TRANSMISSION
Allison 5th Gen, 4000 EVS P

BUMPER
19" Extended Painted Steel

CAB
7010 Enforcer Cab, PUC

BODY

WATER TANK
750 Gallon Poly Water Tank

COMPT, PUMPER, REAR
40.50" FF RollUp Rear Compt w/Tailboard, PUC

COMPT, PUMPER, LEFT SIDE
177" RollUp Full Height & Depth Front & Rear, PUC

COMPT, PUMPER, RIGHT SIDE
177" RollUp Full Height & Depth Front & Rear, PUC

FIRE SUPPRESSION

PUMPHOUSE
Control Zone, PUC

PUMP
1500 GPM Pierce PUC

CROSSLAYS, 1.50"
(2) 1.50", Poly Trays, 200"

CROSSLAYS, 2.50"
(1) 2.50", Poly Tray, 200"

GENERATOR

Harrison 6kW MSV Hydraulic Generator

Foam System
Husky 3 Single Agent Foam System

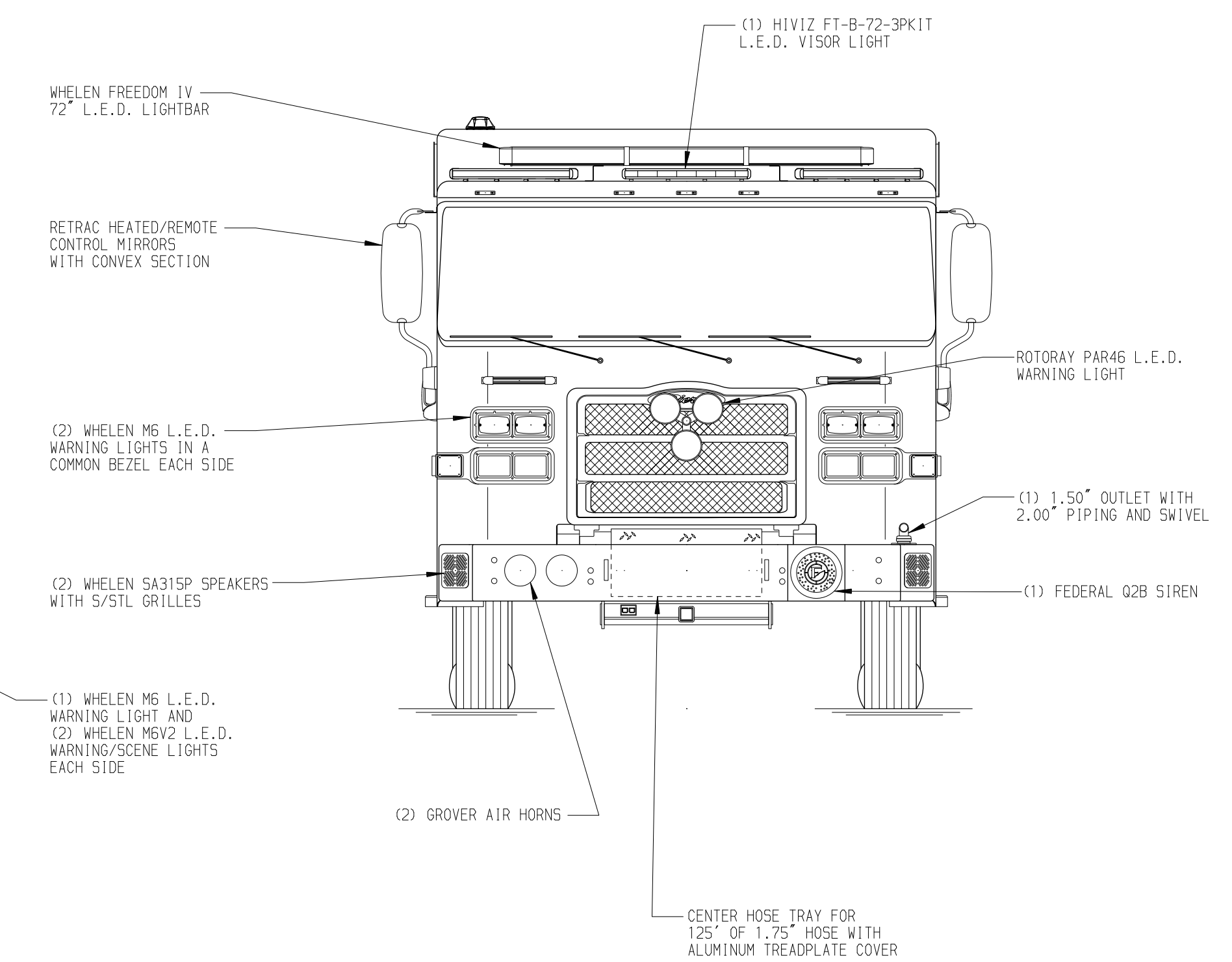
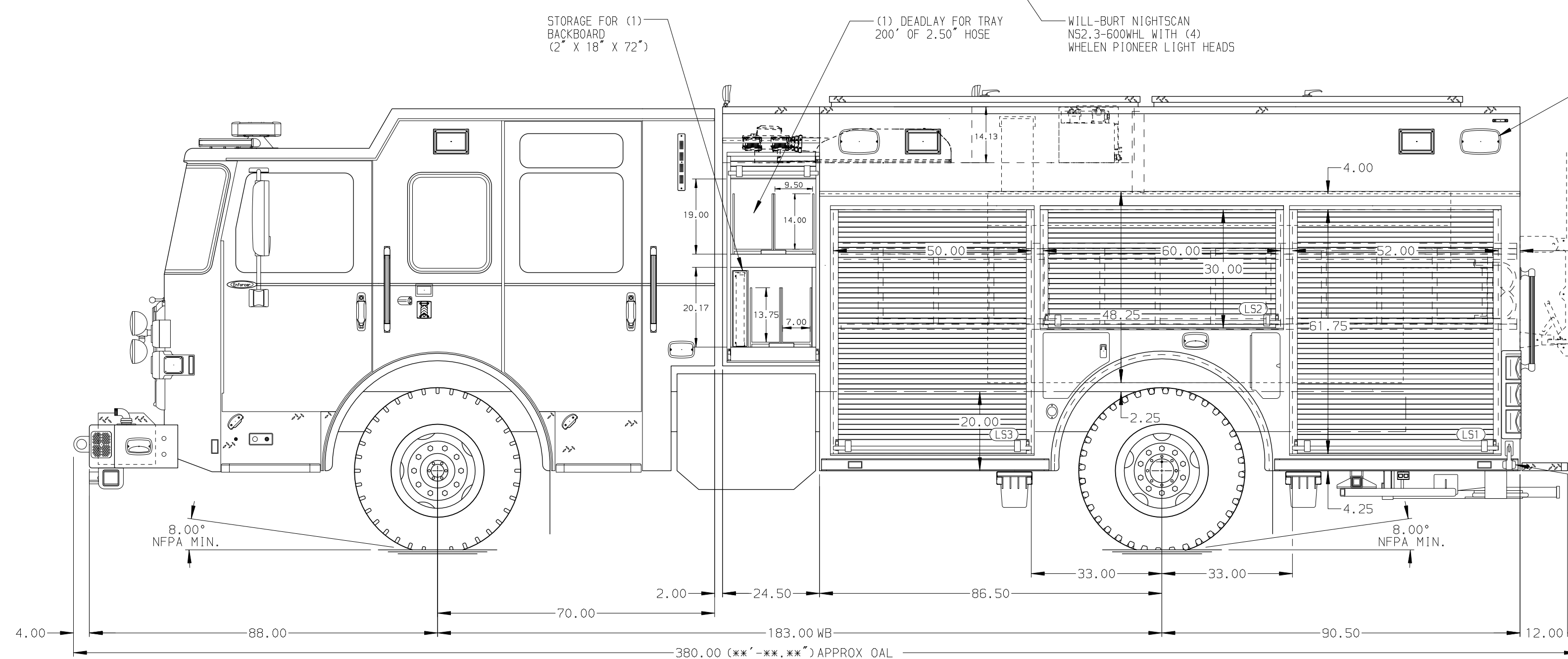
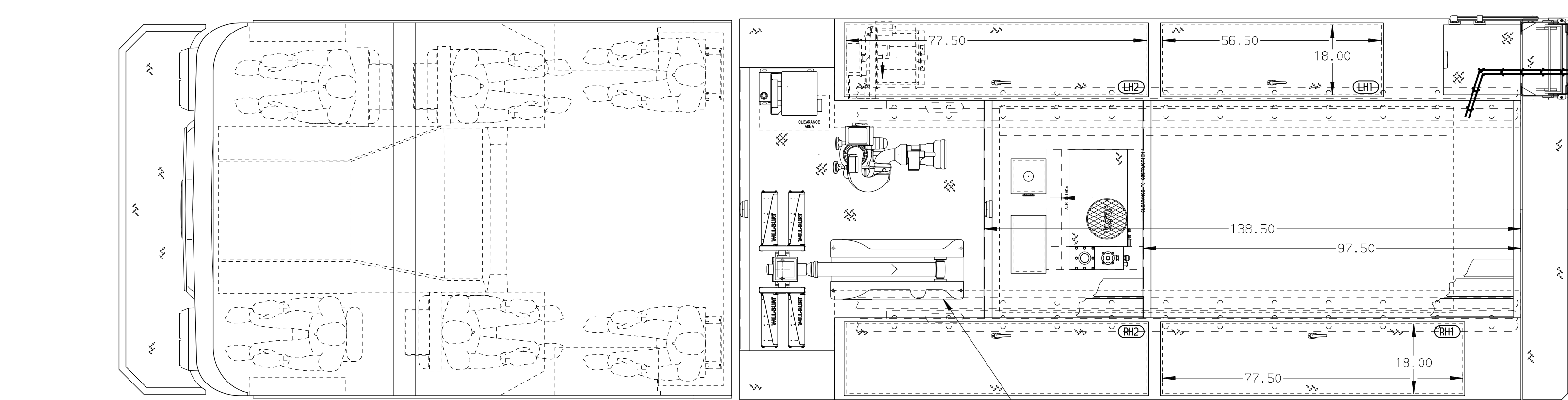
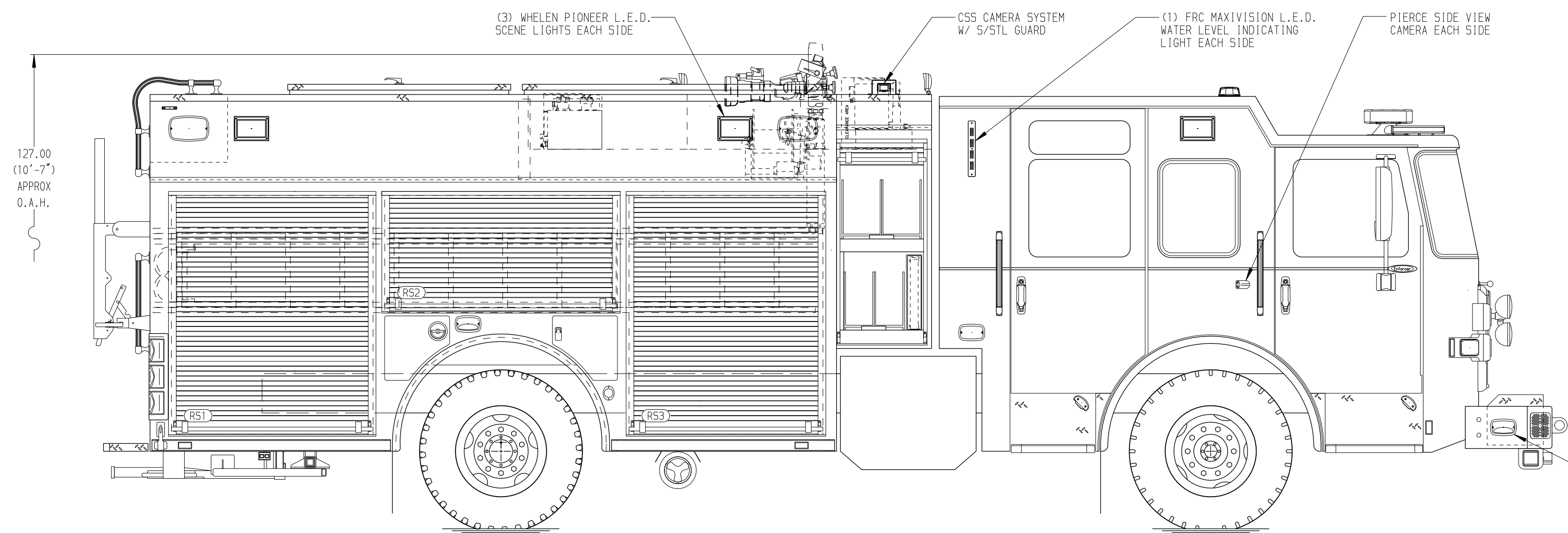
Foam Cell
50 Gallon Foam Cell, Not Reduced Water, PUC

Side Roll and Frontal Impact Protection

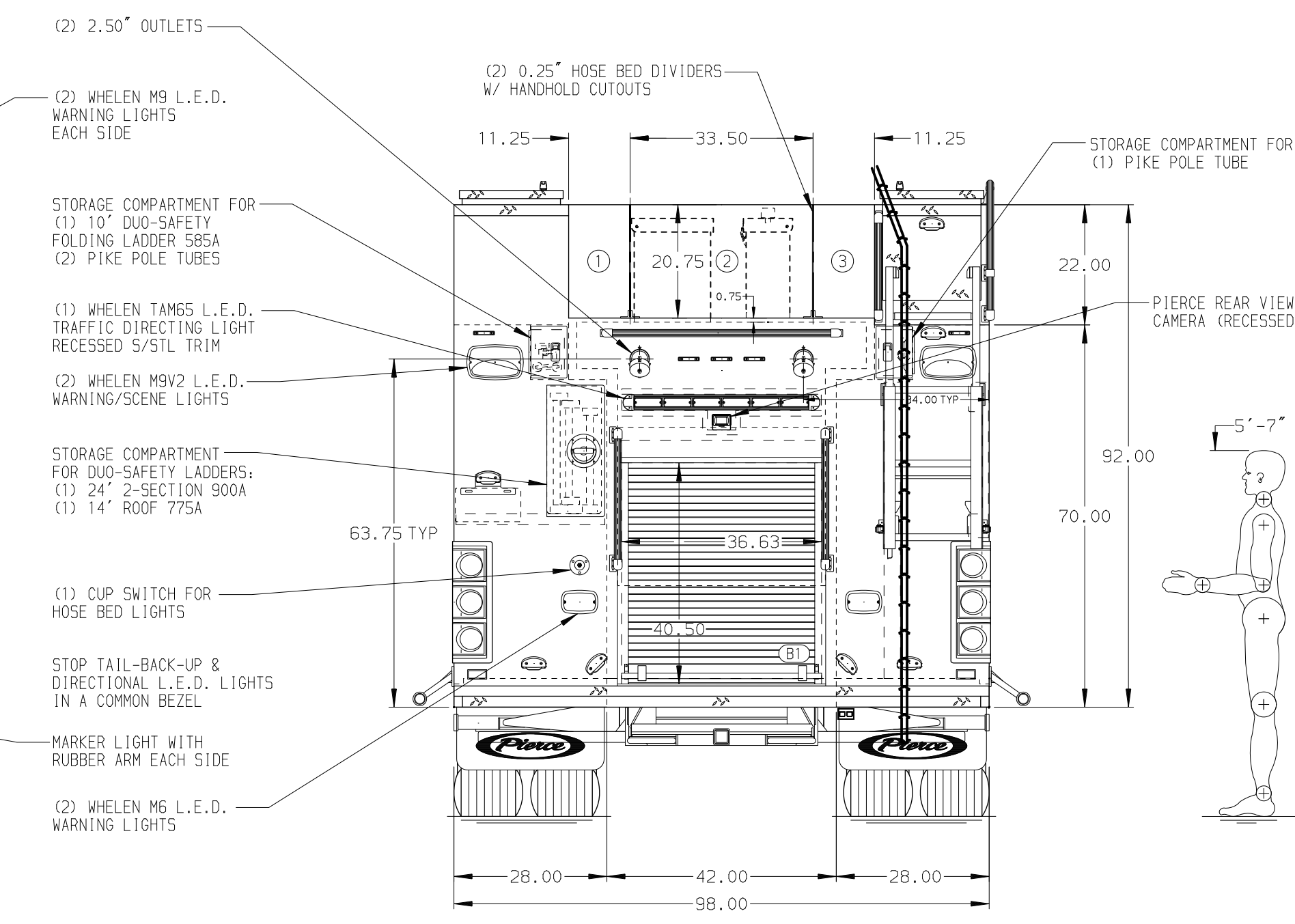
NOTE
DIMENSIONS SHOWN ARE APPROXIMATE AND ARE SUBJECT TO MINOR DEVIATIONS AS MAY OCCUR OR BE NECESSARY IN CONSTRUCTION. MINOR DETAILS NOT SHOWN.

1. AUTOMATIC TIRE CHAINS
2. SHORELINE RECEPTACLE WITH BLUESEA SURE EJECT LOCATED ON DRIVER SIDE OF THE CAB
3. AIR INLET WITH DISCONNECT COUPLING IN THE DRIVER SIDE STEPWELL
4. BATTERY CHARGER LOCATED BEHIND DRIVER'S SEAT
5. BATTERY CHARGE INDICATOR LOCATED ON DRIVER SIDE OF THE CAB
6. SIX ADJUSTABLE SHELVES LOCATED PER SHOP ORDER
7. THREE FLOOR MOUNTED SLIDE-OUT TRAYS LOCATED PER SHOP ORDER
8. THREE TILTING/SIDE-OUT TRAY LOCATED PER SHOP ORDER
9. TWO SLIDE-OUT TOOLBOARDS LOCATED PER SHOP ORDER
10. GEAR GRID DOUBLE SWING OUT TOOL GRID SYSTEM LOCATED PER SHOP ORDER

11. CTECH TWO DRAWER ASSEMBLY LOCATED PER SHOP ORDER
12. ONE VERTICAL PARTITION LOCATED PER SHOP ORDER
13. THREE 120V DUPLEX RECEPTACLES LOCATED PER SHOP ORDER
14. ONE 120V 6-PLACE RECEPTACLE LOCATED PER SHOP ORDER
15. CIRCUIT BREAKER PANEL LOCATED PER SHOP ORDER
16. HANNAY CABLE REEL MODEL 1618-17-18 WITH 200' OF 10/3 CABLE LOCATED IN HATCH COMPARTMENT PER SHOP ORDER
17. AIR OUTLET WITH SHUT OFF VALVE LOCATED IN DRIVER'S STEP AREA
18. ALUMINUM PEGBOARD LOCATED PER SHOP ORDER



HOSEBED CAPACITY	
BED 1	300' OF 3.00" D.J. POLY HOSE
BED 2	800' OF 5.00" D.J. POLY HOSE
BED 3	300' OF 3.00" D.J. POLY HOSE



		JOB NO.	35667
		SCALE	DATE
TITLE	Pierce PUC Pumper Approval Drawing	DRAWN BY	COL
FOR	Cookeville Fire Department	CHECKED BY	MMF
DWG NO.	35667AD	SHEET SIZE	SHEET NO.
		D	1 OF 1

REV	DATE	BY	CH	ENFORCER
12MAR21	MMF	CW1		PIERCE
08FEB21	COL	CW1		MODEL