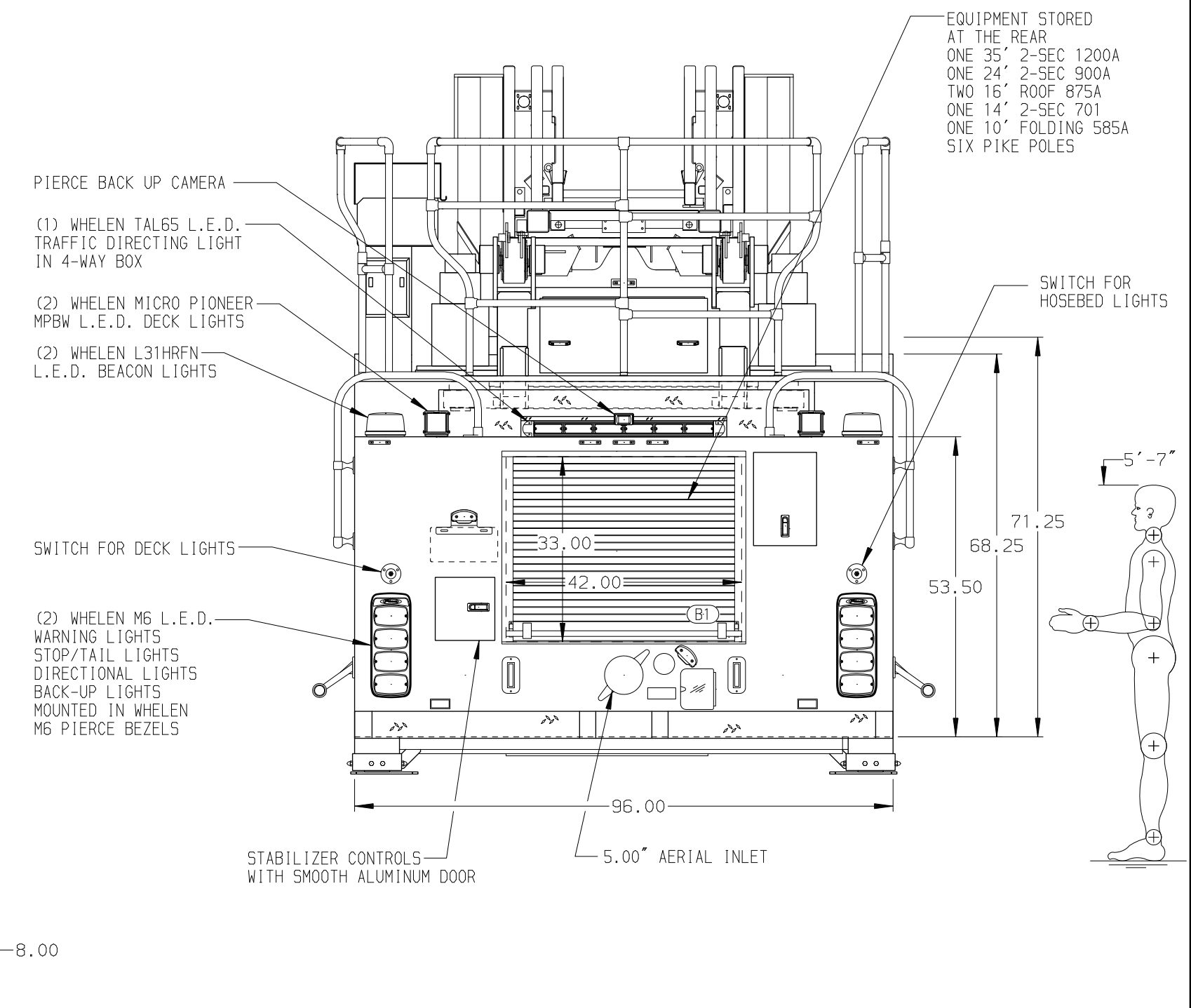


<p>BODY</p> <p>100' Steel Platform Alum Body</p> <p>COMPT, LEFT SIDE FRONT FH/FD RollUp w/o Chute</p> <p>COMPT, LEFT SIDE REAR FH/FD RollUp and Lift-up Rearward</p> <p>COMPT, RIGHT SIDE FRONT Full Height RollUp Forward</p> <p>COMPT, RIGHT SIDE REAR Full Height RollUp and Liftup Rearward</p>	<p>WATER TANK</p> <p>300 Gallon PAP Notched Poly Water Tank</p> <p>Foam System</p> <p>Provisions for Future Husky Foam System</p> <p>Foam Cell</p> <p>20 Gallon Foam Cell, Non-Reduced Water</p>
--	---



<p>CHASSIS</p> <p>Velocity Chassis</p> <p>ENGINE</p> <p>600 HP Cummins X15 Engine</p>	<p>CAB</p> <p>7010 Notched Velocity FR Cab</p> <p>BUMPER</p> <p>19" Extended Stainless Steel</p>	<p>AXLE, FRONT, CUSTOM</p> <p>24,000 Lb TAK-4 Axle</p> <p>AXLE, REAR</p> <p>60,000 Lb Meritor Axle</p>	<p>TRANSMISSION</p> <p>Allison 5th Gen, 4500 EV5 P</p>	<p>PUMPHOUSE</p> <p>52" Control Zone Side Mount</p> <p>PUMP</p> <p>2000 GPM Waterous CSU</p>	<p>CROSSLAYS, 1.50"</p> <p>(2) 1.50" Standard Capacity</p> <p>CROSSLAYS, 2.50"</p> <p>(1) 2.50" Standard Capacity</p>	<p>SPEEDLAYS</p> <p>Speedlays Not Required</p> <p>GENERATOR</p> <p>Harrison 6kW MSV Hydraulic</p>	<p>SAFETY</p> <p>Side Roll and Frontal Impact Protection</p>	<p>CUSTOMER APPROVAL</p> <p>APPROVED BY: _____</p> <p>DATE: _____</p>	<p>Pierce MANUFACTURING INC.</p>	<p>JOB NO. 35642</p> <p>SCALE 1:24</p> <p>DATE</p>	
<p>NOTE</p> <p>DIMENSIONS SHOWN ARE APPROXIMATE AND ARE SUBJECT TO MINOR DEVIATIONS AS MAY OCCUR OR BE NECESSARY IN CONSTRUCTION. MINOR DETAILS NOT SHOWN.</p>											
<p>1. ONE 1.50 OUTLET WITH 2.00 PIPING AND SWIVEL LOCATED IN CENTER BUMPER TRAY</p> <p>2. SHORELINE RECEPTACLE WITH KUSSMAUL SUPER AUTO-EJECT LOCATED ON DRIVER SIDE OF THE CAB</p> <p>3. BATTERY CHARGER LOCATED IN CREW CAB SEAT RISER</p> <p>4. BATTERY CHARGE INDICATOR LOCATED ON THE DRIVER SIDE OF THE CAB</p> <p>5. FIVE ADJUSTABLE SHELVES IN COMPARTMENTS PER SHOP ORDER</p> <p>6. ONE ADJUSTABLE TILTING SLIDE-OUT TRAY IN COMPARTMENT PER SHOP ORDER</p> <p>7. FOUR FLOOR MOUNTED SLIDE-OUT TRAYS IN COMPARTMENTS PER SHOP ORDER</p> <p>8. CIRCUIT BREAKER PANEL IN COMPARTMENT PER SHOP ORDER</p> <p>9. TWO WHELEN 700CELRZ L.E.D. LIGHTS LOCATED AT THE FRONT OF THE HOSE BED</p>		<p>10. HOSE STORAGE BOX AT PLATFORM BASKET FOR 100' OF 1.75" HOSE</p> <p>11. BREATHING AIR TO AERIAL BASKET</p> <p>12. 3.00" RAISED AERIAL PEDESTAL</p> <p>13. 3-in-1 LYFECOMB BRACKETS AT AERIAL BASKET</p> <p>14. 120V POWER TO AERIAL BASKET</p> <p>15. NO LIMITED RETRACTION</p>		<p>CHASSIS DATA</p> <p>MAKE PIERCE</p> <p>MODEL</p> <p>VELOCITY</p>						<p>TITLE 100 AERIAL PLATFORM & BODY ASSEMBLY (PAP100A)</p> <p>FOR PIERCE FIELD UNIT APPLETON, WISCONSIN</p> <p>DWG NO. 35642AD</p>	<p>DRAWN BY TKA</p> <p>CHECKED BY MSA</p> <p>SHEET SIZE D</p> <p>DATE 15SEP20</p> <p>16SEP20</p> <p>SHEET NO. 1 OF 1</p>