

RIGHT SIDE COMPARTMENTS CONTAIN THE FOLLOWING:

COMPARTMENT R51 CONTAINS:  
 - (1) VERTICAL COMPARTMENT DIVIDER  
 - (1) HORIZONTAL FLOOR EXTENSION  
 - (2) STD DEPTH ADJ SHELVES  
 - (1) STD DEPTH FLOOR MOUNTED TRAY  
 - (2) STD DEPTH FLOOR MOUNTED TRAYS WITH TOOLBOARDS  
 -

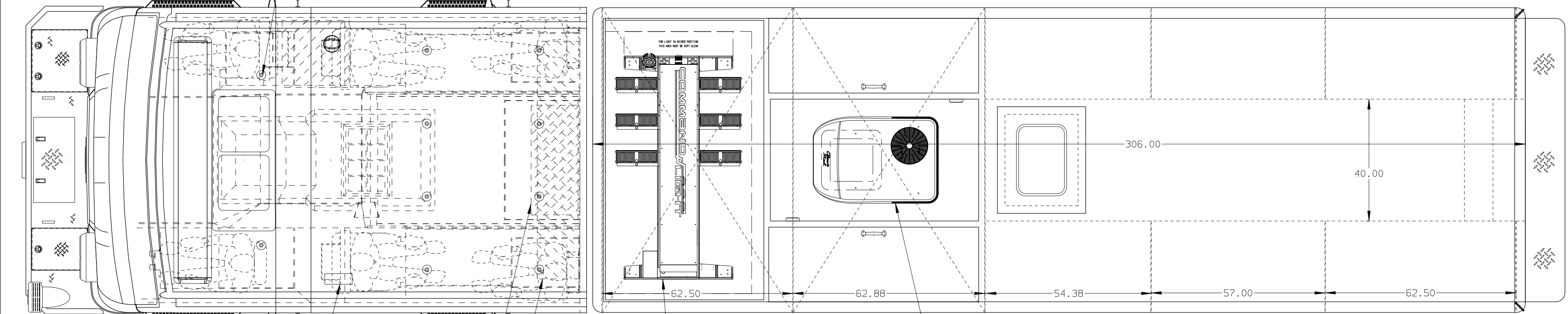
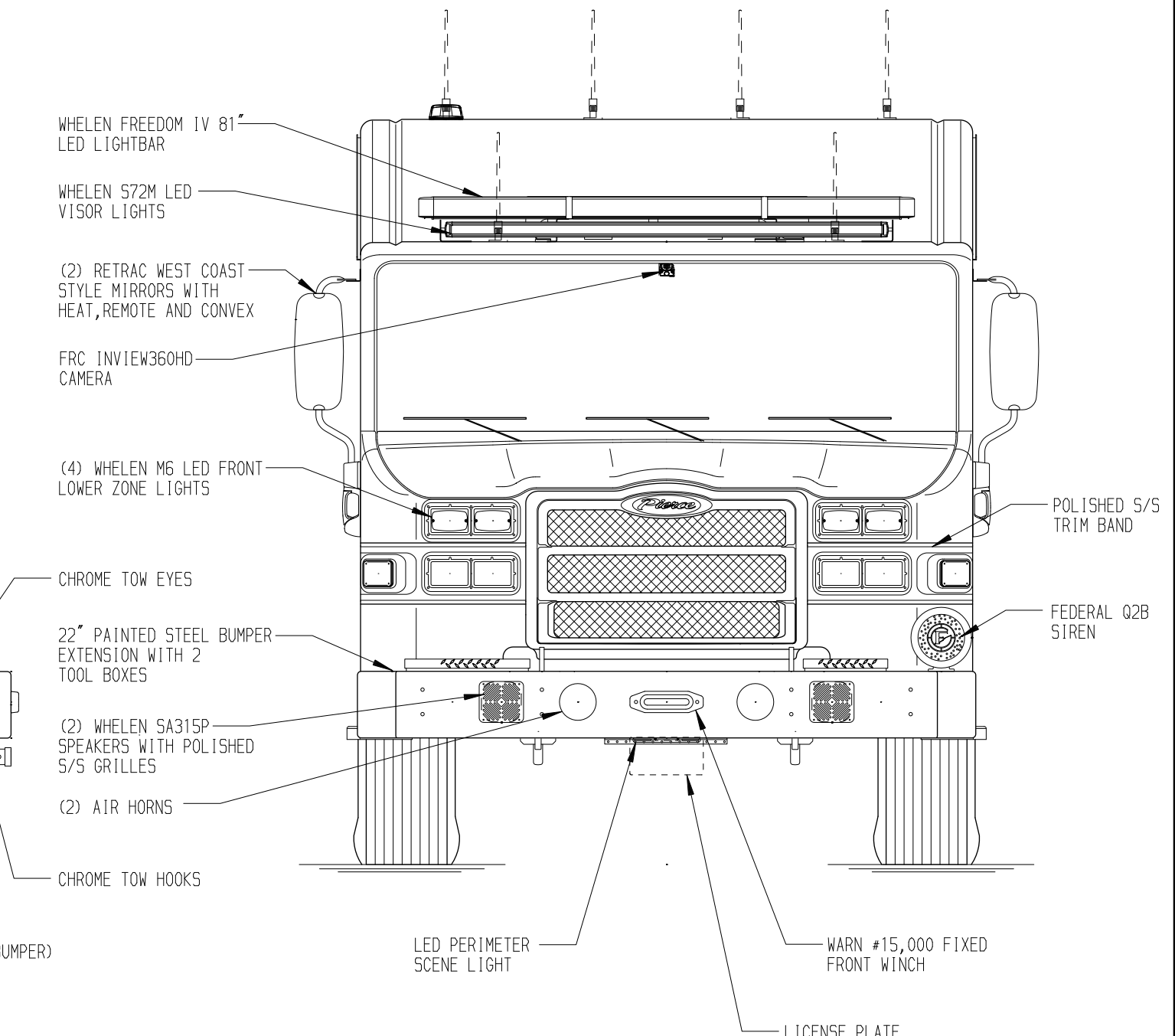
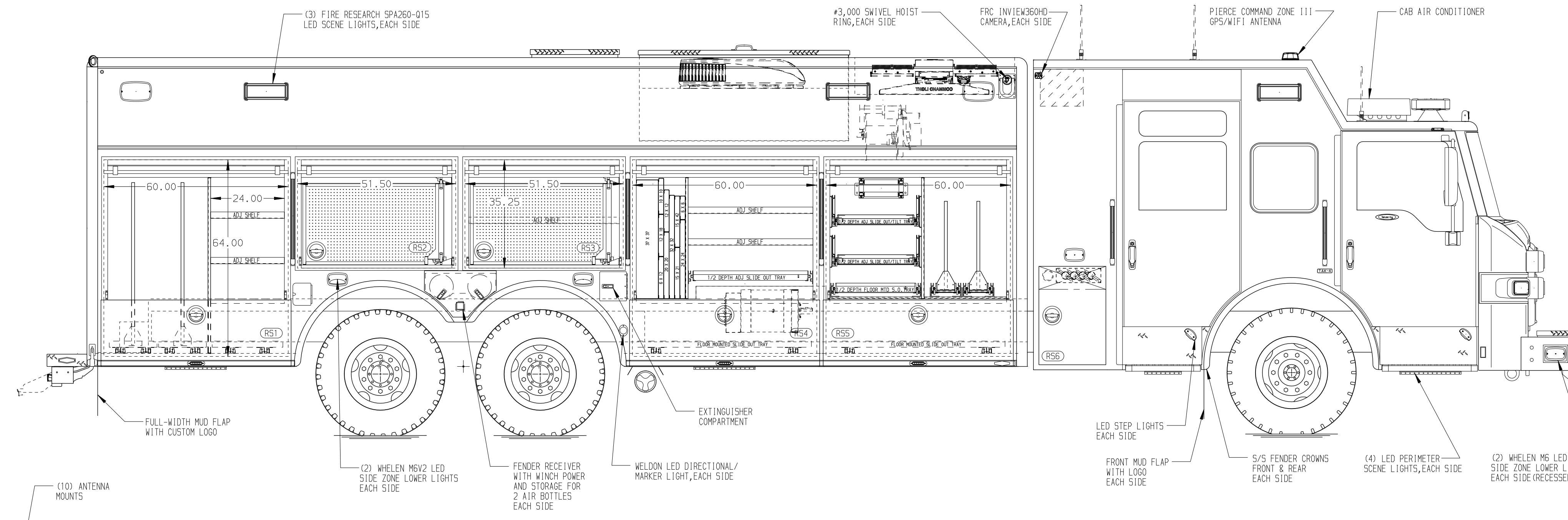
COMPARTMENT R52 CONTAINS:  
 - (1) SWING OUT TOOLBOARD  
 -

COMPARTMENT R53 CONTAINS:  
 - (1) SPECIAL DEPTH ADJ SHELF  
 - (1) SWING OUT TOOLBOARD  
 - (1) 15A, 120V 6-PLACE RECEPTACLE  
 -

COMPARTMENT R54 CONTAINS:  
 - (1) HORIZONTAL FLOOR EXTENSION  
 - (1) RACK FOR 11 AIR BAGS  
 - (2) 1/2 DEPTH ADJ SHELVES  
 - (1) 1/2 DEPTH ADJ SLIDE OUT TRAY  
 - (1) STD DEPTH FLOOR MOUNTED TRAY  
 - (1) VERTICAL COMPARTMENT DIVIDER  
 -

COMPARTMENT R55 CONTAINS:  
 - (1) VERTICAL COMPARTMENT DIVIDER  
 - (1) HORIZONTAL FLOOR EXTENSION  
 - (2) 1/2 DEPTH ADJ SLIDE OUT/TILT TRAYS  
 - (1) 1/2 DEPTH FLOOR MTD SLIDE OUT TRAY  
 - (1) STD DEPTH FLOOR MOUNTED TRAY  
 - (2) 2-WAY ADJ SLIDE OUT TOOLBOARDS  
 - (1) ELECTRIC CORD REEL WITH 200' OF 10/3 YELLOW CORD  
 -

COMPARTMENT R56 CONTAINS:  
 - (1) RACK FOR 4 PIKE POLES AND A 3" STORAGE TUBE  
 -



LEFT SIDE COMPARTMENTS CONTAIN THE FOLLOWING:

COMPARTMENT L51 CONTAINS:  
 - (2) STD DEPTH ADJ SHELVES  
 - (1) STD DEPTH FLOOR MOUNTED TRAY  
 -

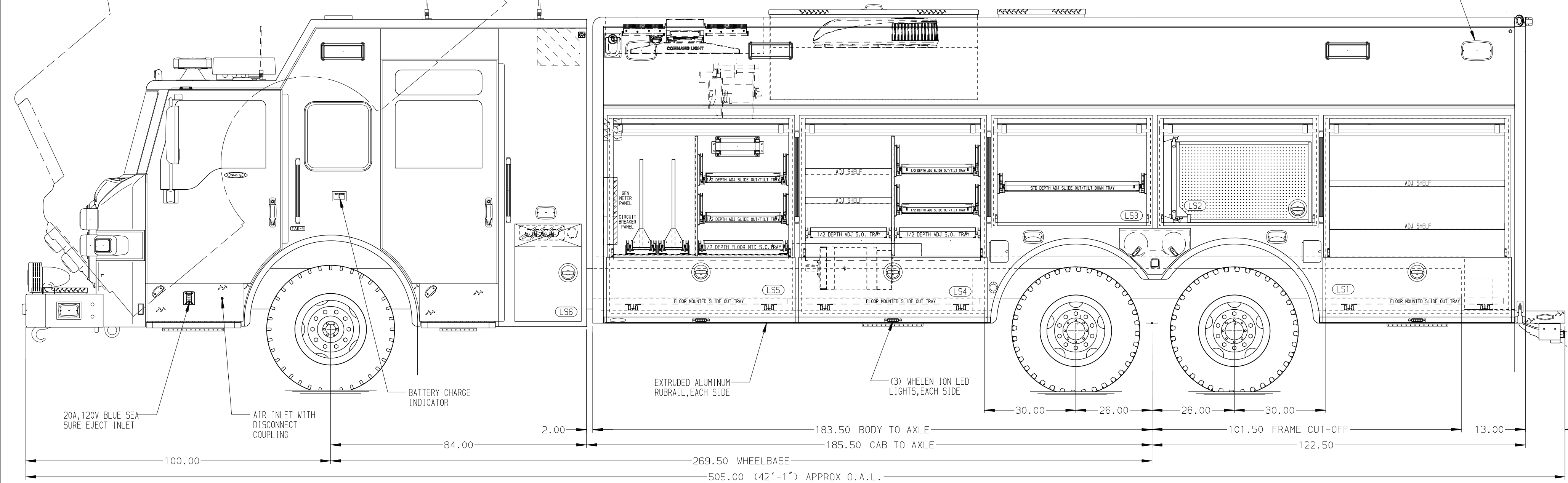
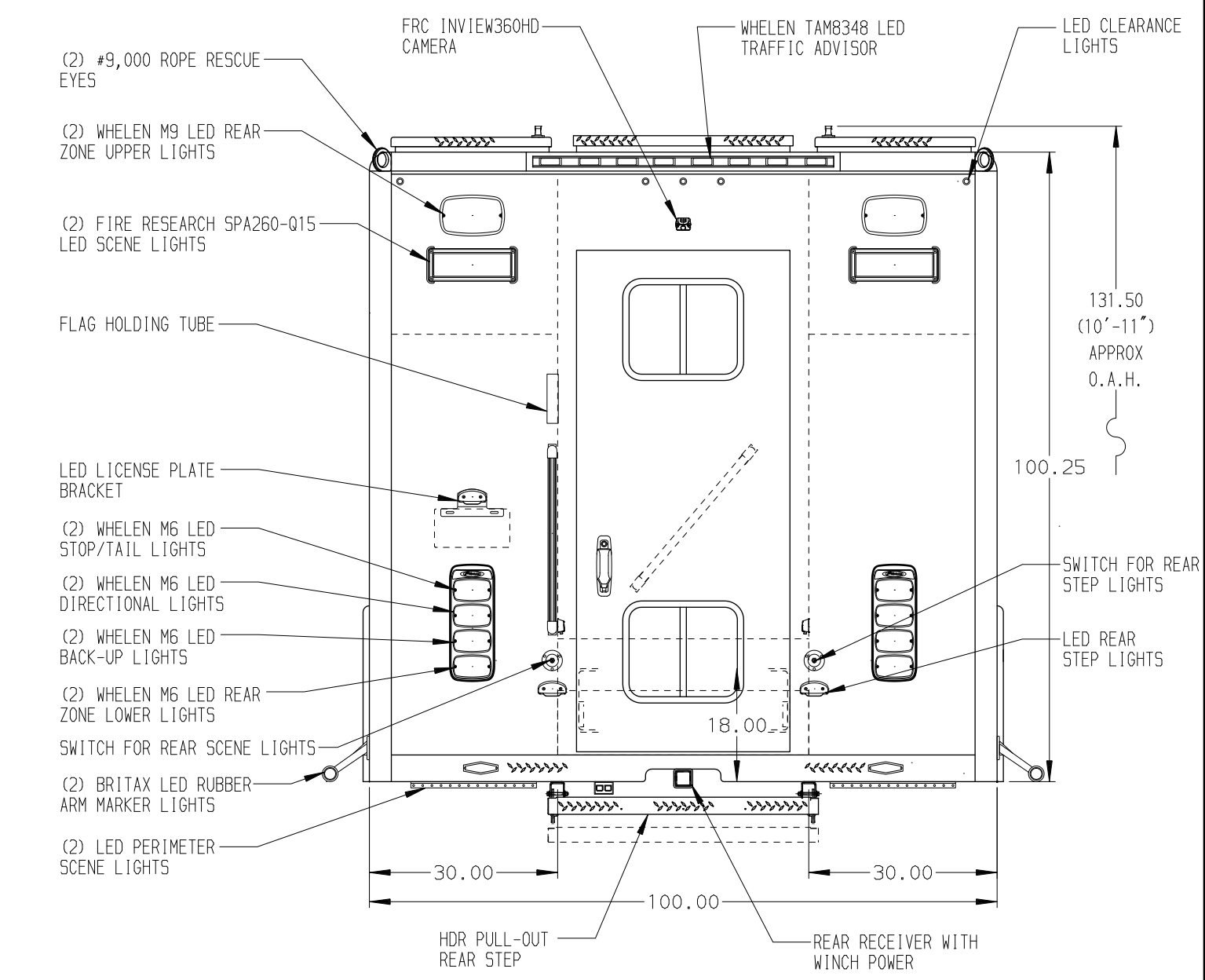
COMPARTMENT L52 CONTAINS:  
 - (1) SWING OUT TOOLBOARD  
 -

COMPARTMENT L53 CONTAINS:  
 - (1) STD DEPTH ADJ SLIDE OUT/TILT TRAY  
 -

COMPARTMENT L54 CONTAINS:  
 - (1) VERTICAL COMPARTMENT DIVIDER  
 - (1) HORIZONTAL FLOOR EXTENSION  
 - (2) 1/2 DEPTH ADJ SHELVES  
 - (2) 1/2 DEPTH ADJ SLIDE OUT/TILT TRAYS  
 - (2) 1/2 DEPTH ADJ SLIDE OUT TRAYS  
 - (1) STD DEPTH FLOOR MOUNTED TRAY  
 -

COMPARTMENT L55 CONTAINS:  
 - (1) BLUE SEA P12 CHARGER  
 - (1) VERTICAL COMPARTMENT DIVIDER  
 - (1) HORIZONTAL FLOOR EXTENSION  
 - (2) 1/2 DEPTH ADJ SLIDE OUT/TILT TRAYS  
 - (1) 1/2 DEPTH FLOOR MTD SLIDE OUT TRAY  
 - (1) STD DEPTH FLOOR MOUNTED TRAY  
 - (2) 2-WAY ADJ SLIDE OUT TOOLBOARDS  
 - (1) CIRCUIT BREAKER PANEL  
 - (1) GENERATOR METER PANEL  
 - (1) COMMAND LIGHT CONTROLLER  
 - (1) ELECTRIC CORD REEL WITH 200' OF 10/3 YELLOW CORD  
 -

COMPARTMENT L56 CONTAINS:  
 - (1) RACK FOR 4 PIKE POLES AND A 3" STORAGE TUBE  
 -



NOTE  
 DIMENSIONS SHOWN ARE APPROXIMATE AND ARE SUBJECT TO MINOR DEVIATIONS AS MAY OCCUR OR BE NECESSARY IN CONSTRUCTION. MINOR DETAILS NOT SHOWN.

NOTES:  
 1. ONAN 30kW SINGLE PHASE PTO DRIVEN GENERATOR LOCATED BETWEEN THE FRAME RAILS  
 2. BRUSHED S/S SCUFFPLATES ON CAB AND CREW CAB DOOR JAMBS  
 3. FLOOR IN CAB AND CREW CAB TO BE LONSEAL LONCOIN 11  
 4. FIRECOM 51000 INTERCOM SYSTEM  
 5. LED STRIP LIGHTS LOCATED IN ALL BODY AND HATCH COMPARTMENTS

(SIDE ROLL AND FRONTAL IMPACT PROTECTION)

CLEAR DOOR WIDTH KEY			CHASSIS DATA	
AMORR ROLL UP DOORS:	-2 1/4"		DATE	07JUN21
CORTITE ROLL UP DOORS:	-2 1/2"		BY	DHE
PIERCE DOUBLE LAP DOORS:	-4 1/4"		CH	CDK
PIERCE LIFT-UP LAP DOORS:	-1 1/2"		DATE	08APR21
(EX: 60" F-F - 2 1/4" = 57 3/4" CLEAR)			DATE	26FEB21
(F-F) = FRAME TO FRAME			BY	DHE
			CH	CDK
			DATE	

**Pierce MANUFACTURING INC.**

JOB NO. 35627  
 SCALE 1:24  
 DATE

TITLE HEAVY DUTY RESCUE WALKIN/NON-WALKIN COMBO  
 FOR HARRIS COUNTY ESD #7  
 BID #847

DRAWN BY DHE  
 CHECKED BY CDK  
 SHEET SIZE D

DWG NO. 35627AD-SH1  
 SHEET NO. 1 OF 1

JAMES CAMPBELL