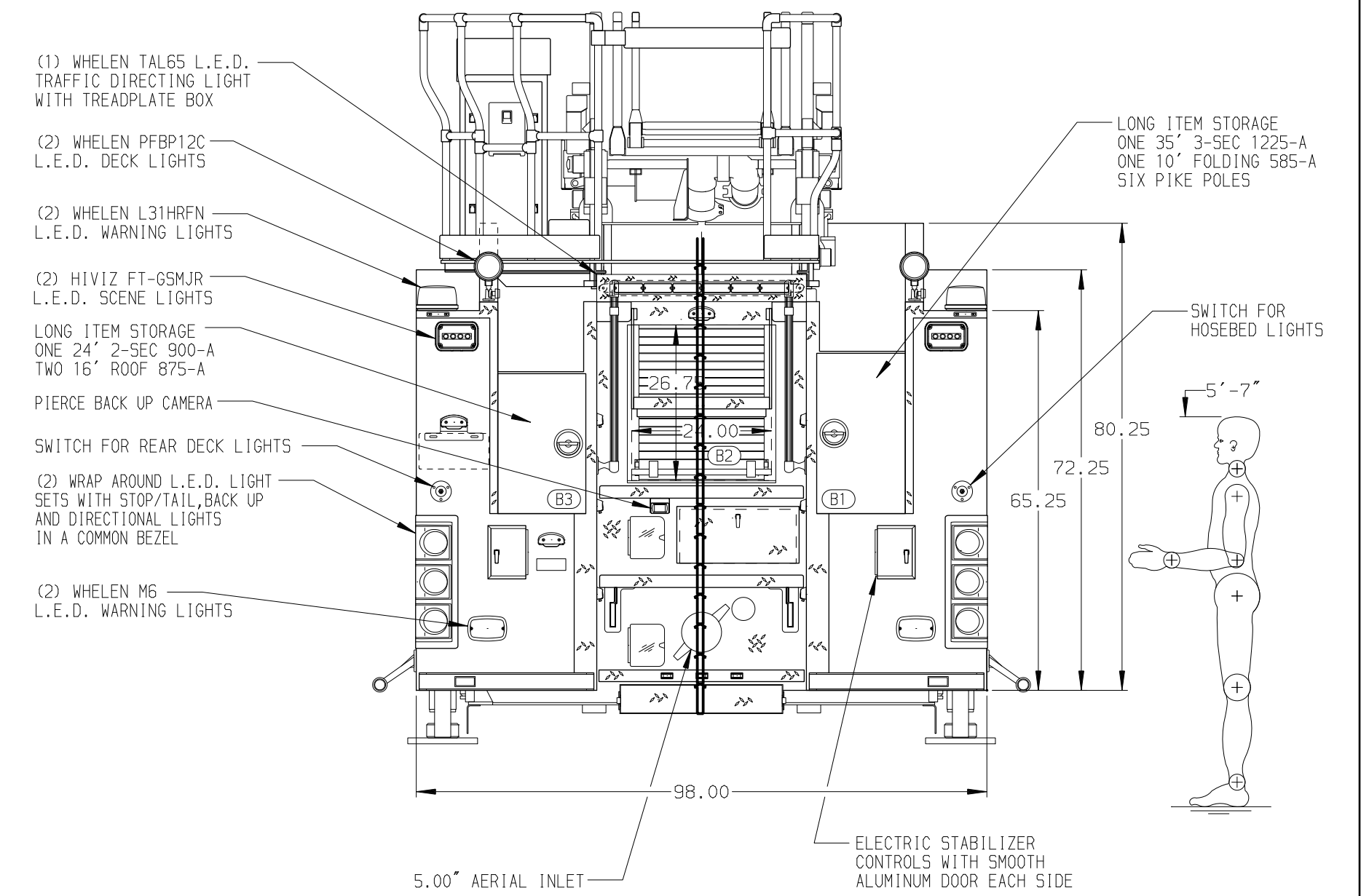
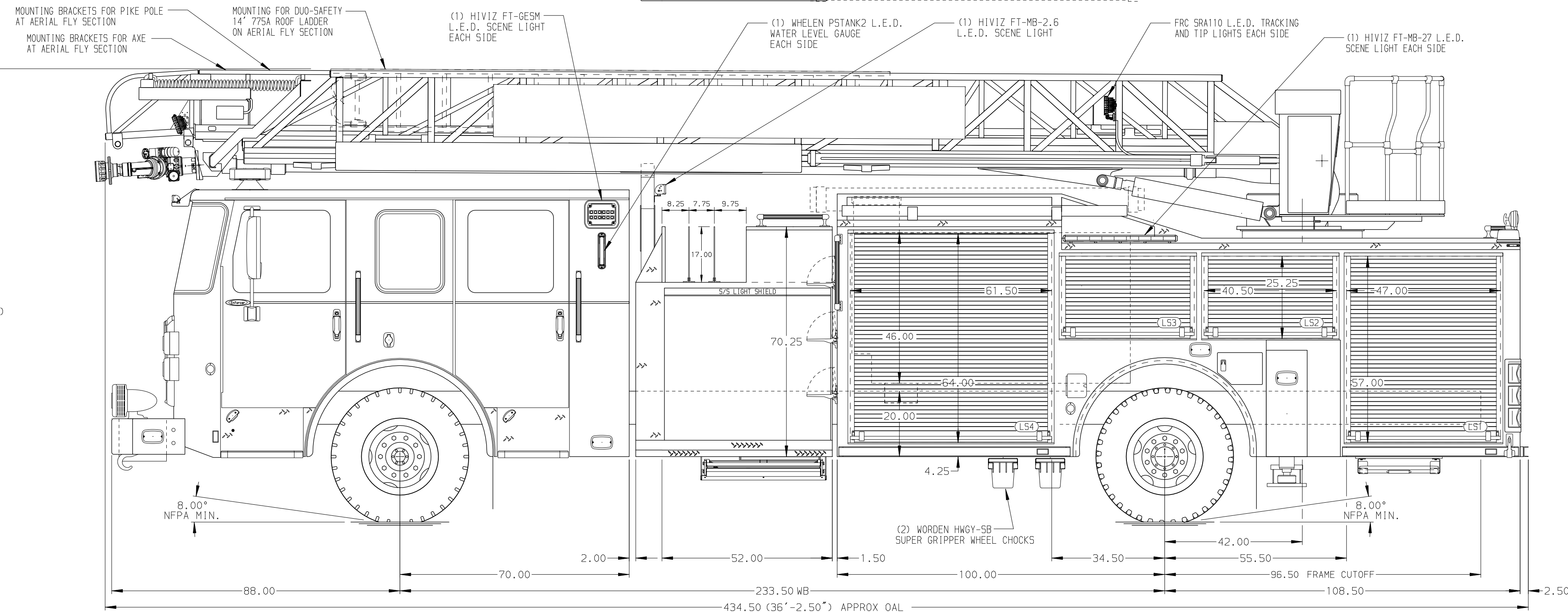


SURFACE DESIGNATION AND PATHWAY MARKINGS

<p><b>BODY</b> 75' HAL Aluminum Body COMPT, LEFT SIDE FRONT Full Height RollUp Forward COMPT, LEFT SIDE REAR Full Height RollUp Rearward COMPT, RIGHT SIDE FRONT Full Height RollUp Forward COMPT, RIGHT SIDE REAR Full Height RollUp Rearward</p>	<p><b>WATER TANK</b> 500 Gallon Poly Water Tank Foam System Foam System Not Required Foam Cell Foam Cell Not Required</p>
--	---



<p><b>CHASSIS</b> Enforcer Chassis <b>ENGINE</b> 450 HP Cummins L9 Engine</p>	<p><b>CAB</b> 7000 Enforcer Cab <b>BUMPER</b> 19\"/&gt; </p>	<p><b>AXLE, FRONT, CUSTOM</b> 20,000 Lb Dana Axle <b>AXLE, REAR</b> 33,500 Lb Meritor Axle</p>	<p><b>TRANSMISSION</b> Allison 5th Gen, 3000 EVS P</p>	<p><b>PUMPHOUSE</b> 52\"/&gt; </p>	<p><b>CROSSLAYS, 1.50\"</b> (2) 1.50\"/&gt; </p>	<p><b>SPEEDLAYS</b> Speedlays Not Required <b>GENERATOR</b> Generator Not Required</p>	-	-	-
---	--	--	--	--	--	--	---	---	---

<p><b>NOTE</b> DIMENSIONS SHOWN ARE APPROXIMATE AND ARE SUBJECT TO MINOR DEVIATIONS AS MAY OCCUR OR BE NECESSARY IN CONSTRUCTION. MINOR DETAILS NOT SHOWN.</p>	<p>1. ONE 1.50\"/&gt; </p>	<p>2. SHORELINE RECEPTACLE WITH KUSSMAUL SUPER AUTO-EJECT LOCATED ON DRIVER SIDE OF THE CAB</p>	<p>3. AIR INLET WITH DISCONNECT COUPLING IN THE DRIVER SIDE STEPKELL</p>	<p>4. BATTERY CHARGER LOCATED IN COMPARTMENT PER SHOP ORDER</p>	<p>5. BATTERY CHARGE INDICATOR LOCATED ON THE DRIVER SIDE SEAT RISER</p>	<p>6. DUAL L.E.D. LIGHT STRIPS LOCATED IN HOSE BED</p>	<p>7. FOUR ADJUSTABLE SHELVES IN COMPARTMENTS PER SHOP ORDER</p>	<p>8. FOUR FLOOR MOUNTED SLIDE-OUT TRAYS IN COMPARTMENTS PER SHOP ORDER</p>	<p>9. PEGBOARD ON BACK WALL OF EIGHT COMPARTMENTS PER SHOP ORDER</p>	<p>10. ONE 120V 6-PLACE RECEPTACLE STRIP IN CAB PER SHOP ORDER</p>	<p>11. 1.50\"/&gt; </p>	<p>12. 1500 GPM HIGH FLOW WATERWAY</p>	<p>13. RUNG LIGHTING ON AERIAL LADDER</p>	<p>14. 2-WAY INTERCOM SYSTEM BETWEEN AERIAL TIP AND TURNABLE</p>	<p>15. NO LIMITED RETRACTION</p>
--	----------------------------	---	--	---	--	--	--	---	--	--	-------------------------	--	---	--	----------------------------------

REV	DATE	BY	CH
12JAN21	TKA	PJP	

		JOB NO.	35623
<p>TITLE 75 AERIAL LADDER &amp; BODY ASSEMBLY</p>		SCALE	1:24
<p>FOR BLACK RIVER FIRE DEPARTMENT BLACK RIVER, NY</p>		DATE	
<p>DWG NO.</p>		DRAWN BY	LWE
<p>35623AD</p>		CHECKED BY	CRI
<p>NO.</p>		DATE	09NOV20
<p>ENFORCER</p>		SHEET SIZE	D
<p>NO.</p>		SHEET NO.	1 OF 1