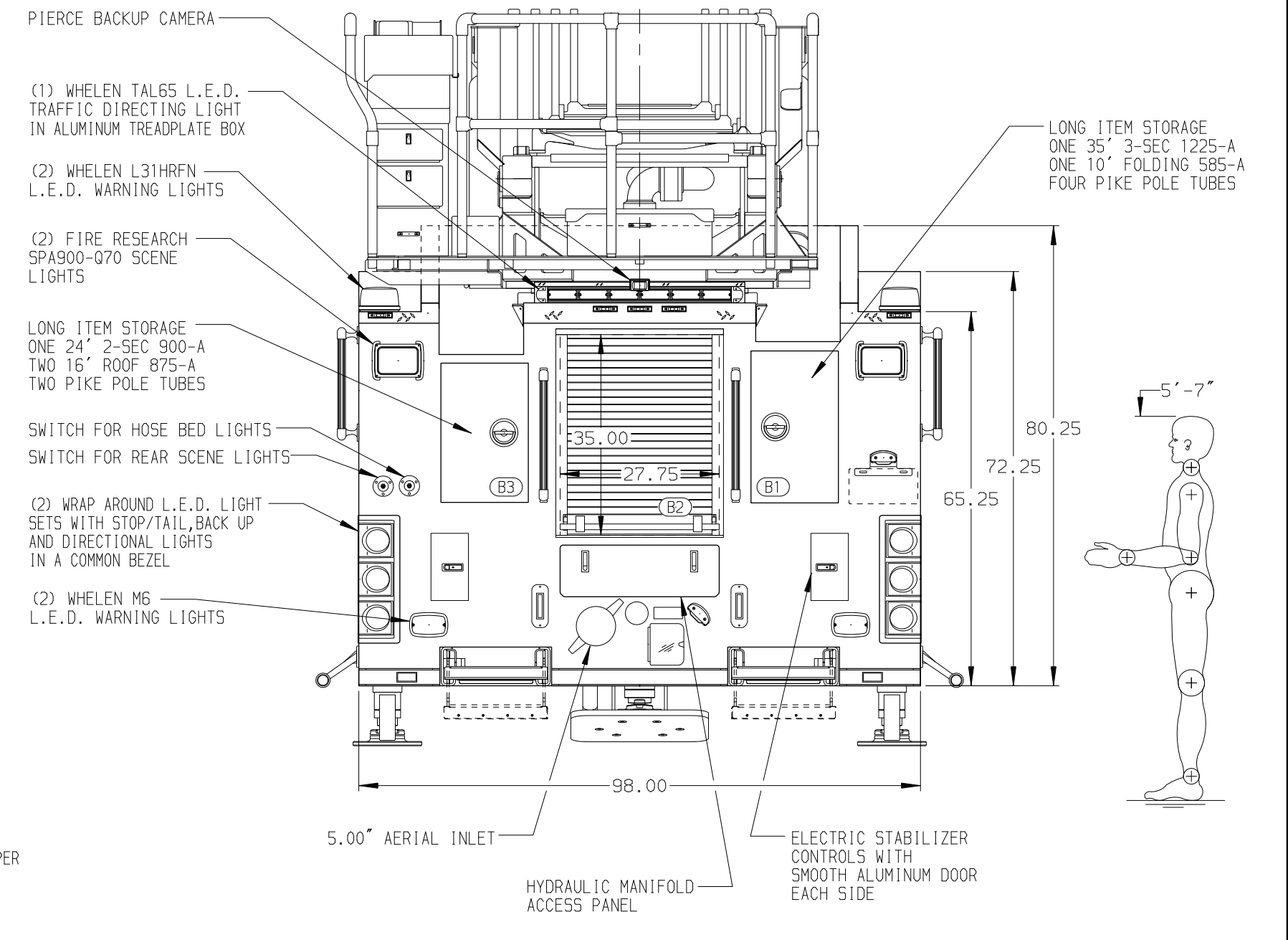
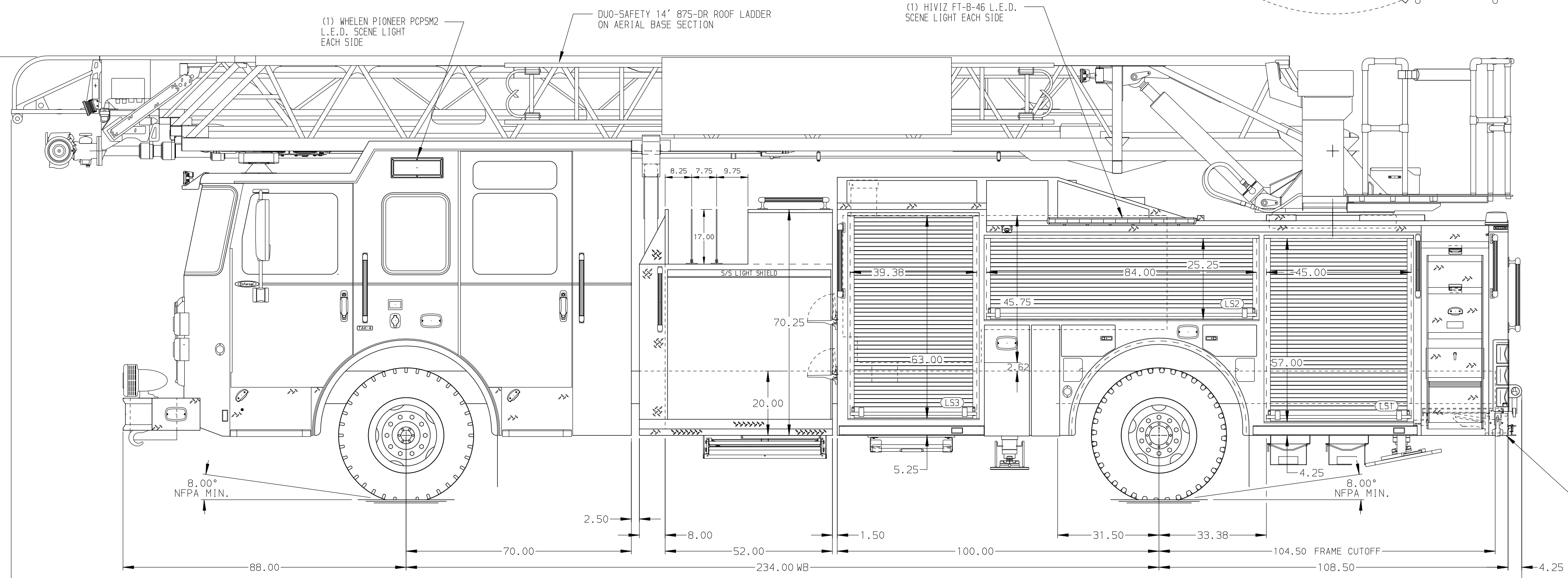


<p><b>BODY</b></p> <p>107' ASL Aluminum Body</p> <p>COMPT, LEFT SIDE FRONT Full Height RollUp Forward</p> <p>COMPT, LEFT SIDE REAR Full Height RollUp Rearward</p> <p>COMPT, RIGHT SIDE FRONT Full Height RollUp Forward</p> <p>COMPT, RIGHT SIDE REAR Full Height RollUp Rearward</p>	<p><b>WATER TANK</b></p> <p>500 Gallon Poly Water Tank</p> <p>Foam System</p> <p>Plumbing for Future Husky Foam System</p> <p>Foam Cell</p> <p>20 Gallon Foam Cell, Non Reduced Water</p>
--	---



<p><b>CHASSIS</b></p> <p>Enforcer Chassis</p> <p><b>ENGINE</b></p> <p>450 HP Cummins L9 Engine</p>	<p><b>CAB</b></p> <p>7010 Enforcer Notched Cab</p> <p><b>BUMPER</b></p> <p>19" Extended Stainless Steel</p>	<p><b>AXLE, FRONT, CUSTOM</b></p> <p>22,800 Lb TAK-4 Axle</p> <p><b>AXLE, REAR</b></p> <p>33,500 Lb Meritor Axle</p>	<p><b>TRANSMISSION</b></p> <p>Allison 5th Gen, 3000 EV5 P</p>	<p><b>PUMPHOUSE</b></p> <p>52" Control Zone Side Mount</p> <p><b>PUMP</b></p> <p>2000 GPM Waterous CSU</p>	<p><b>CROSSLAYS, 1.50"</b></p> <p>(2) 1.50" Standard Capacity</p> <p><b>CROSSLAYS, 2.50"</b></p> <p>(1) 2.50" Standard Capacity</p>	<p><b>SPEEDLAYS</b></p> <p>Speedlays Not Required</p> <p><b>GENERATOR</b></p> <p>Generator Not Required</p>	<p><b>SAFETY</b></p> <p>Side Roll and Frontal Impact Protection</p>	<p><b>CUSTOMER APPROVAL</b></p> <p>APPROVED BY: _____</p> <p>DATE: _____</p>	<p><b>Pierce MANUFACTURING INC.</b></p>	<p>JOB NO. 35602</p> <p>SCALE 1:24</p> <p>DATE</p>
<p><b>NOTE</b></p> <p>DIMENSIONS SHOWN ARE APPROXIMATE AND ARE SUBJECT TO MINOR DEVIATIONS AS MAY OCCUR OR BE NECESSARY IN CONSTRUCTION. MINOR DETAILS NOT SHOWN.</p>										<p>1. ONE 1.50" OUTLET WITH 2.00" PIPING AND SWIVEL LOCATED IN CENTER BUMPER TRAY</p> <p>2. SHOVELLINE RECEPTACLE WITH KUSSMAUL SUPER AUTO-EJECT LOCATED ON DRIVER SIDE OF THE CAB</p> <p>3. AIR INLET WITH DISCONNECT COUPLING IN THE DRIVER SIDE STEPWELL</p> <p>4. BATTERY CHARGER LOCATED BEHIND DRIVER SEAT</p> <p>5. BATTERY CHARGE INDICATOR LOCATED ON DRIVERS SIDE CAB</p> <p>6. DUAL L.E.D. LIGHT STRIPS LOCATED IN HOSE BED</p> <p>7. SIX ADJUSTABLE SHELVES LOCATED IN COMPARTMENTS PER SHOP ORDER</p> <p>8. FOUR FLOOR MOUNTED SLIDE-OUT TRAYS LOCATED IN COMPARTMENTS PER SHOP ORDER</p> <p>9. NON-RAISED AERIAL PEDESTAL</p> <p>10. 1500 GPM HIGH FLOW WATERWAY</p> <p>11. LIMITED RETRACTION NOT REQUIRED</p>
<p>REV</p> <p>DATE</p> <p>BY</p> <p>CH</p>	<p>ENFORCER</p>	<p>TITLE</p> <p>MAKE</p> <p>PIERCE</p> <p>MODEL</p>	<p>FOR</p> <p>PIERCE FIELD UNIT</p> <p>APPLETON, WI</p>	<p>DWG NO.</p> <p>35602AD</p>	<p>CHECKED BY</p> <p>THS</p> <p>31AUG20</p>	<p>SHEET SIZE</p> <p>D</p>	<p>SHEET NO.</p> <p>1 OF 1</p>			