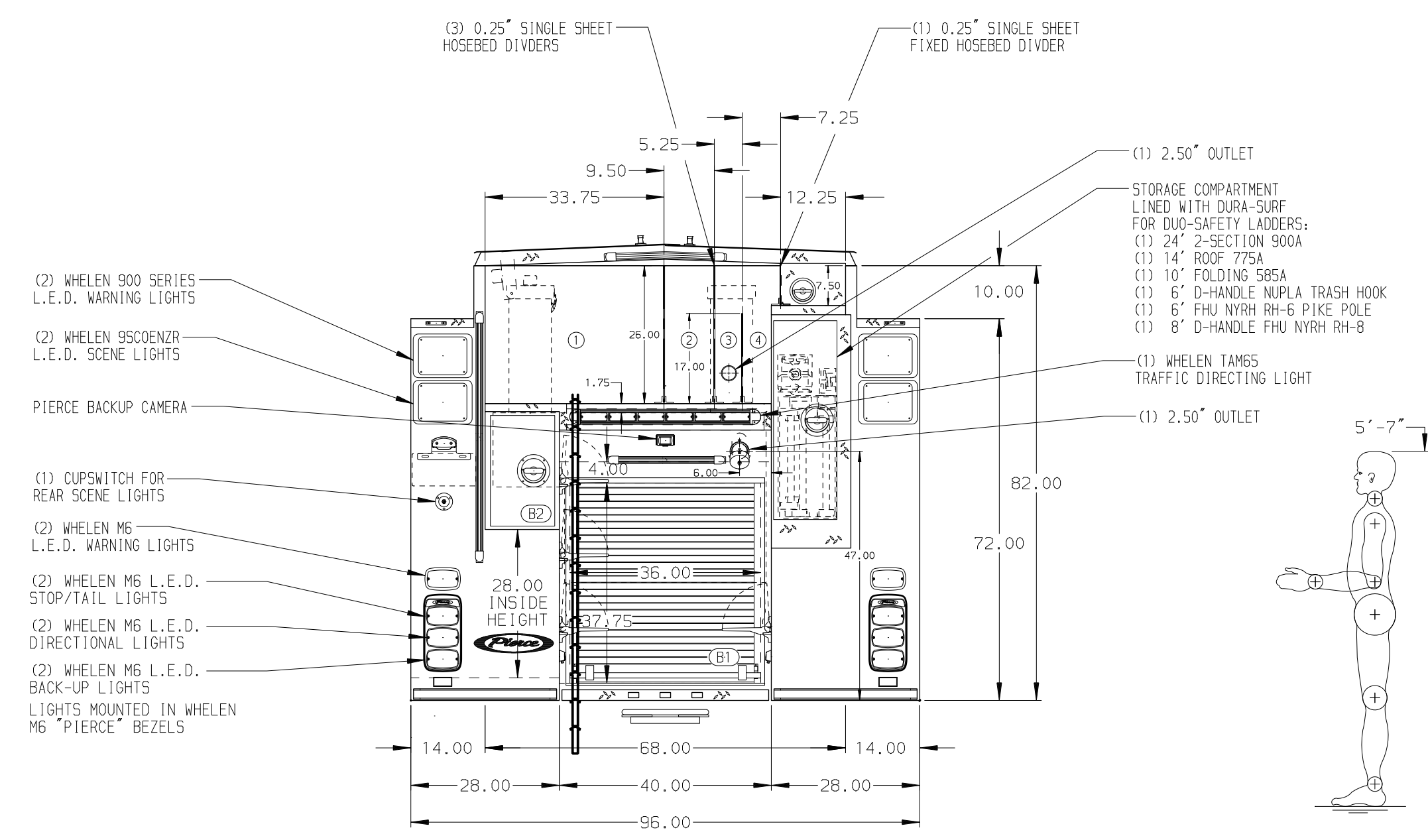
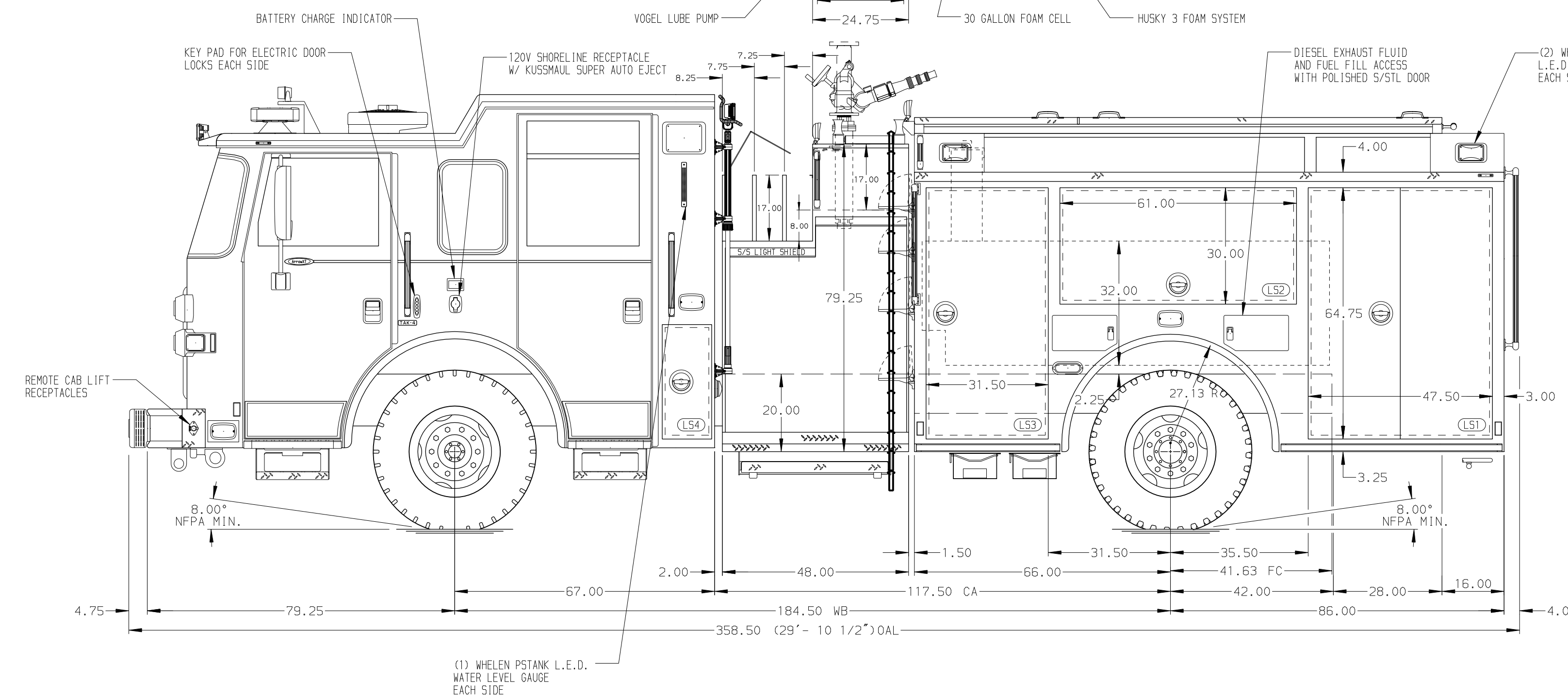


- HOSEBED CAPACITIES**
- ① 1000' OF 4.00" D.J. POLY HOSE
 - ② 400' OF 2.50" D.J. POLY HOSE
 - ③ 200' OF 2.50" D.J. POLY HOSE
 - ④ 200' OF 1.75" D.J. POLY HOSE



GALVANNEAL

- NOTE**
1. REVERSED HINGED DOOR ON COMPARTMENTS LS3 & RS3
 2. AIR INLET/OUTLET WITH DISCONNECT FITTINGS LOCATED ON LEFT SIDE PUMP PANEL
 3. ERNST SIGHT TUBE ON LEFT SIDE PUMP PANEL

DIMENSIONS SHOWN ARE APPROXIMATE AND ARE SUBJECT TO MINOR DEVIATIONS AS MAY OCCUR OR BE NECESSARY IN CONSTRUCTION. MINOR DETAILS NOT SHOWN.

		JOB NO.	35587
		SCALE	DATE
TITLE	1500-500 WATER/30 FOAM, 152" BODY, SIDE CONTROL CROSSLAYS, DELUGE, BOOSTER REEL, LADDERS BESIDE TANK		
FOR	CHULA VISTA FIRE DEPARTMENT CHULA VISTA, CALIFORNIA		
DWG NO.	35587AD-SH1		
REV	DATE	BY	CH
25FEB21	JRO	BSE	
19JAN21	JRO	BSE	
09NOV20	JRO	BSE	
CHASSIS DATA	MAKE	PIERCE	
MODEL	PIERCE		
ARROW XT			
DRAWN BY	JRO	300CT20	
CHECKED BY	BSE	3NOV20	
SHEET SIZE	D		SHEET NO. 1 OF 2