

# Pumper, PUC

## BODY

Pumper, PUC, Stainless Steel

## CHASSIS

Impel Chassis, PUC

## CHASSIS AXLE, FRONT, CUSTOM

22,800 Lb TAK-4 Axle

## AXLE, REAR

31,000 Lb Meritor Axle

## ENGINE

450 HP Cummins L9 Engine

## TRANSMISSION

Allison 5th Gen, 3000 EVS P

## BUMPER

19" Extended Painted Steel

## CAB

7010 Impel FR Cab, PUC

## BODY

### WATER TANK

750 Gallon Poly Water Tank

### COMPT, PUMPER, REAR

40.50" FF RollUp Rear Compt w/Tailboard, PUC

### COMPT, PUMPER, LEFT SIDE

189" RollUp Full Height & Depth Front & Rear, PUC

### COMPT, PUMPER, RIGHT SIDE

189" RollUp Full Height & Depth Front & Rear, PUC

## FIRE SUPPRESSION PUMPHOUSE

Control Zone, PUC

## PUMP

1500 GPM Pierce PUC

## CROSSLAYS, 1.50"

(2) 1.50", Poly Trays, 200'

## CROSSLAYS, 2.50"

(1) 2.50", Poly Tray, 200'

## GENERATOR

Generator Not Required

## Foam System

Foam System Not Required

## Foam Cell

Foam Cell Not Required

Side Roll and Frontal Impact Protection

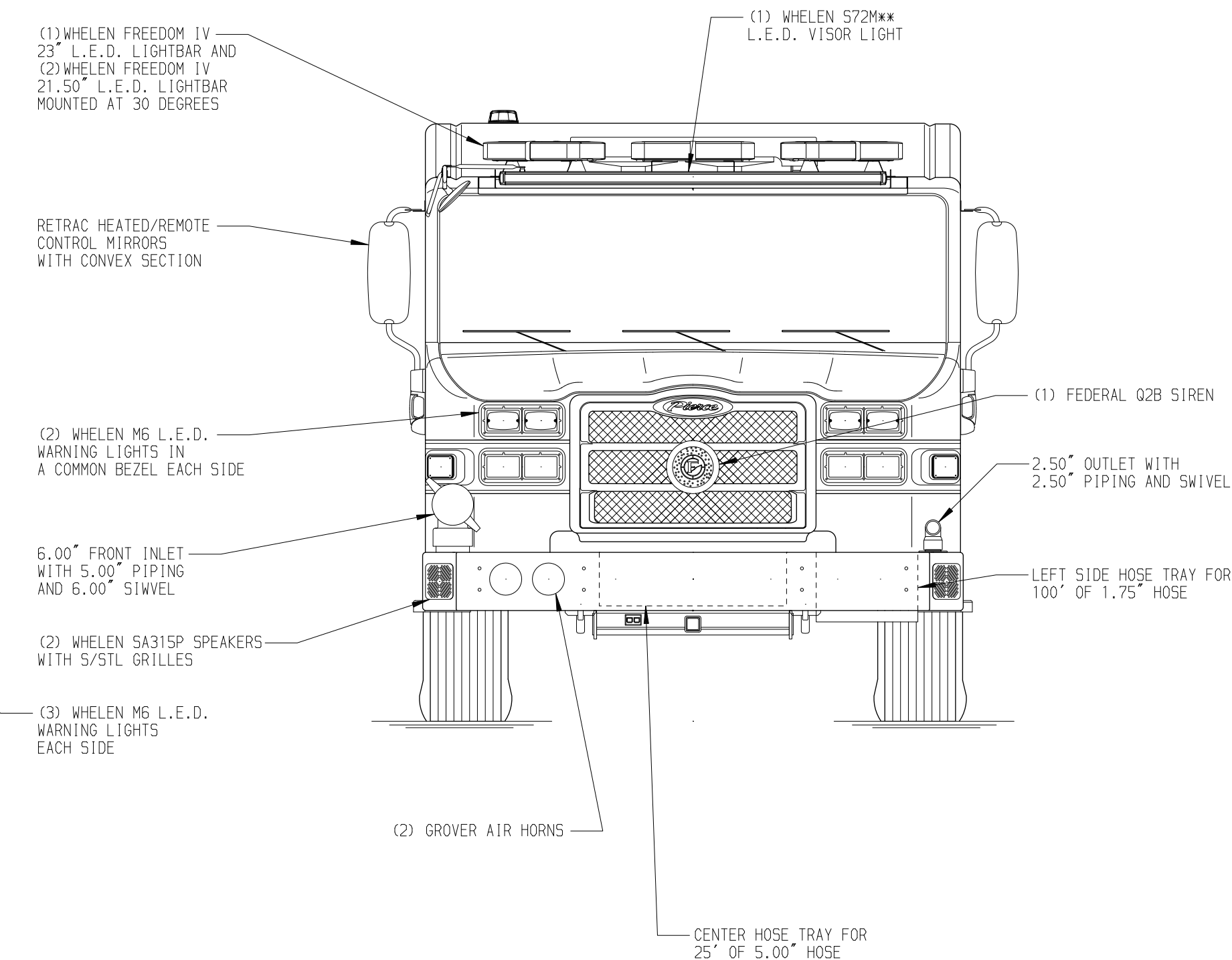
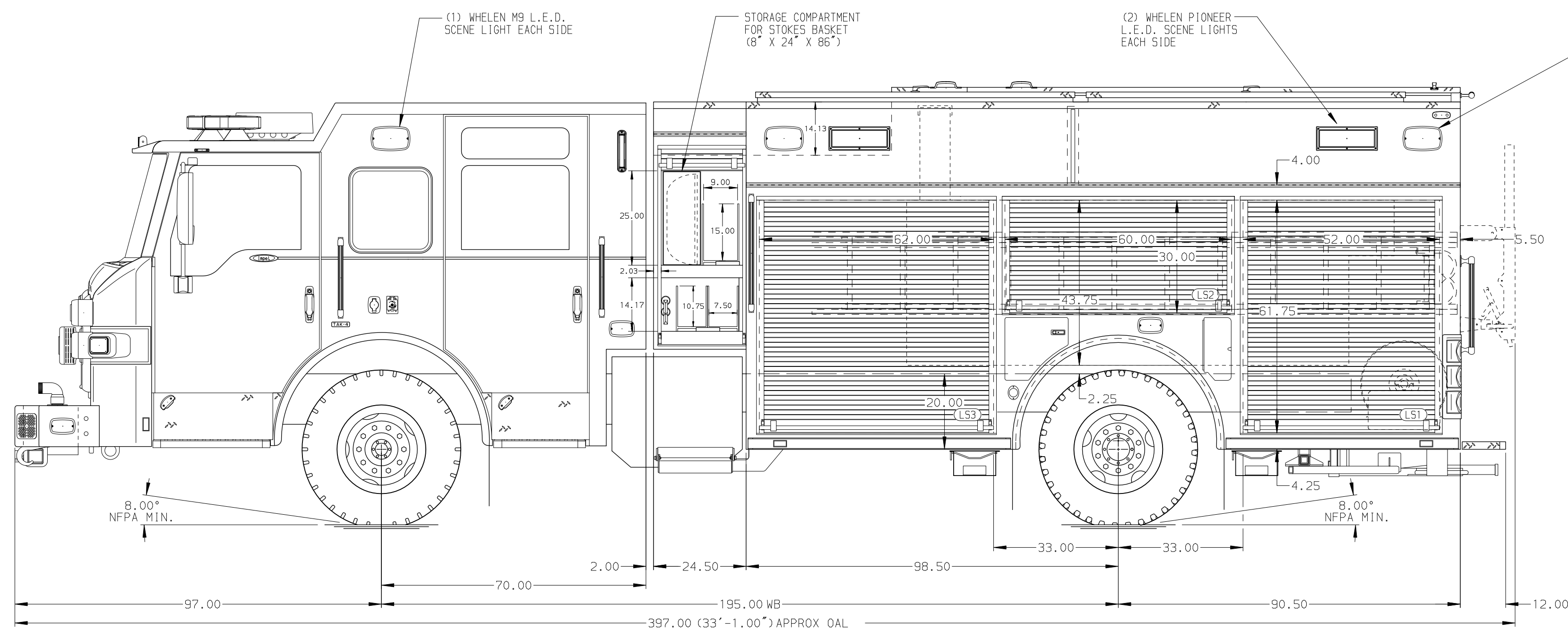
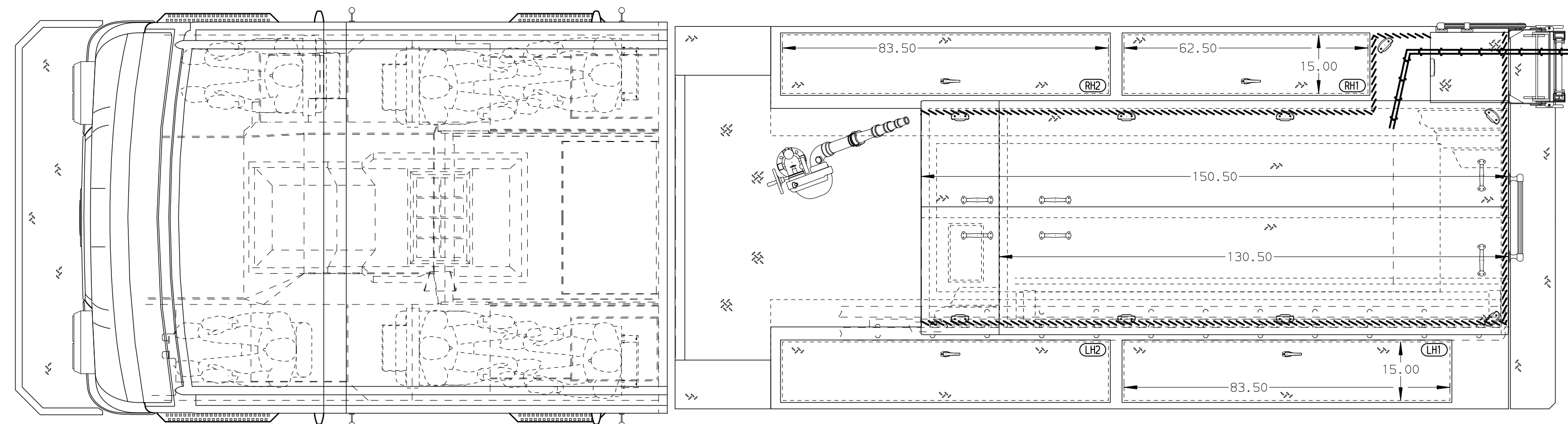
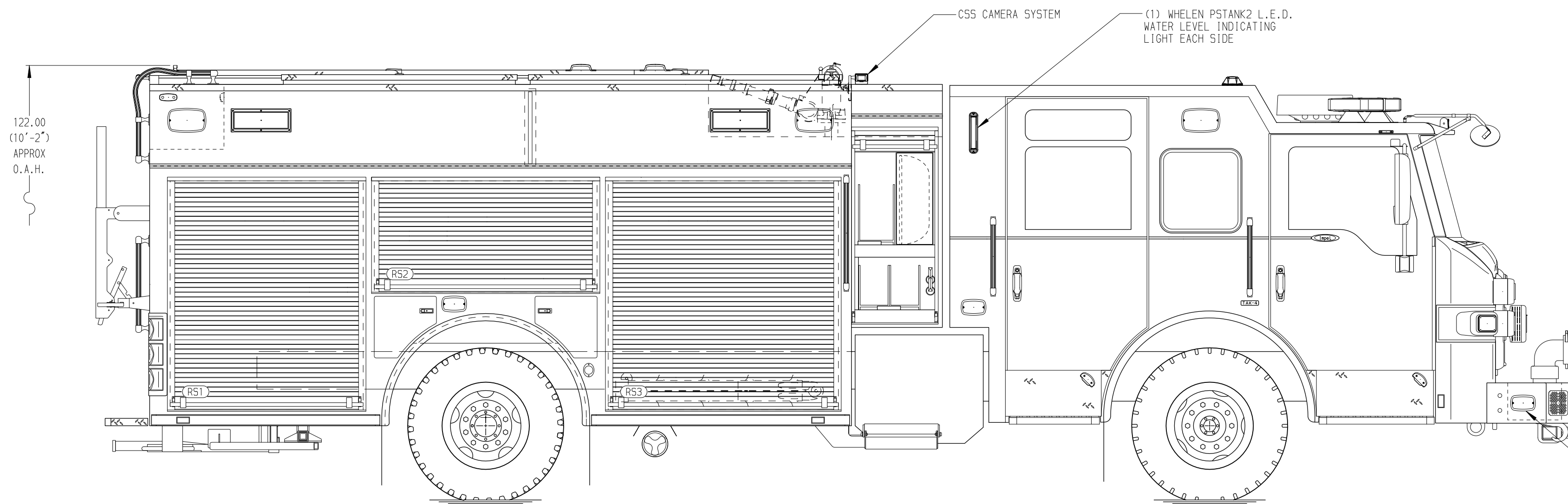
### NOTE

DIMENSIONS SHOWN ARE APPROXIMATE AND ARE SUBJECT TO MINOR DEVIATIONS AS MAY OCCUR OR BE NECESSARY IN CONSTRUCTION. MINOR DETAILS NOT SHOWN.

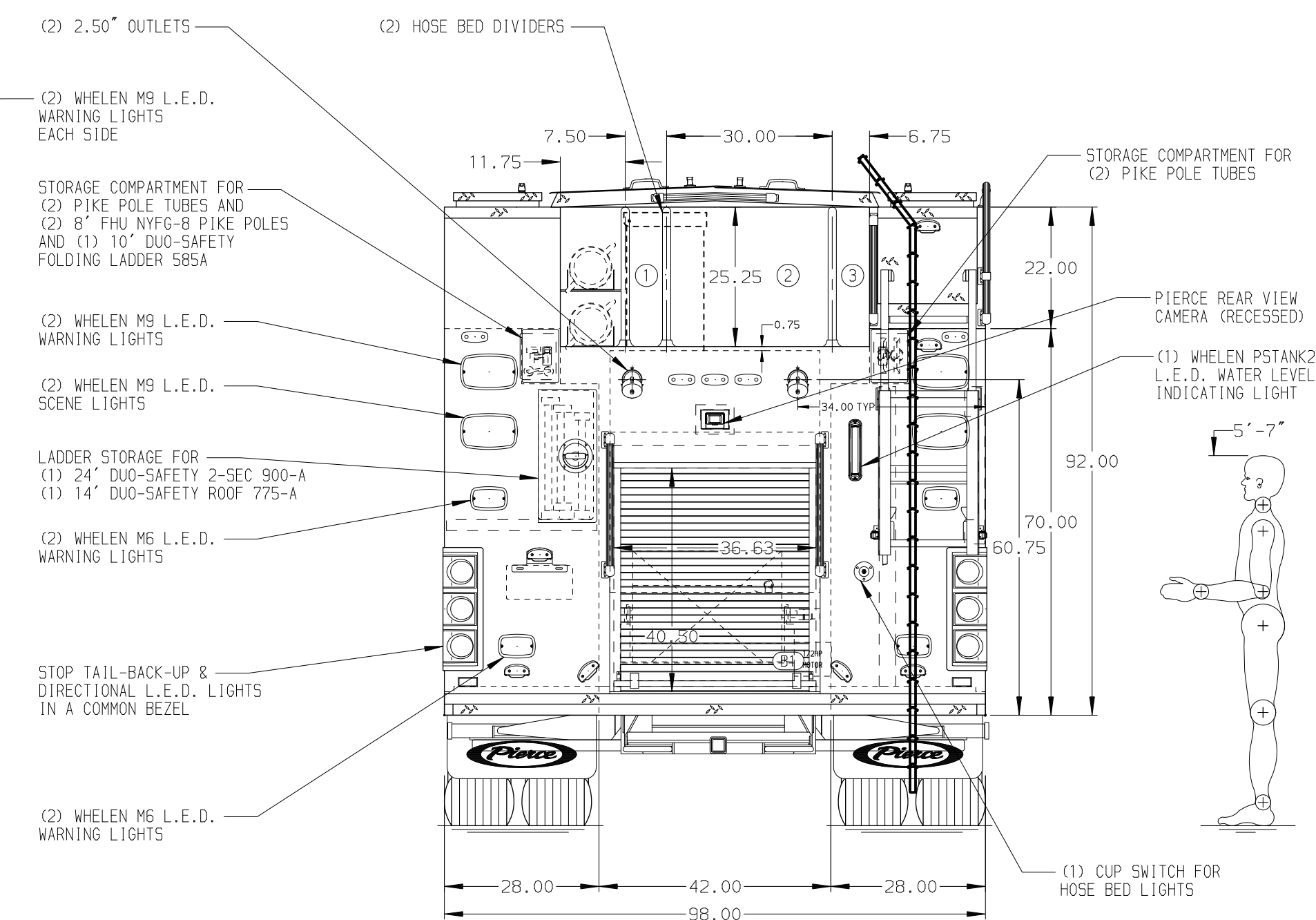
1. AUTOMATIC TIRE CHAINS
2. SHORELINE RECEPTACLE WITH KUSSMALL SUPER AUTO-EJECT LOCATED ON DRIVER SIDE OF THE CAB
3. AIR INLET WITH KUSSMALL AIR EJECT LOCATED ON THE DRIVER SIDE OF THE CAB
4. BATTERY CHARGER LOCATED BEHIND DRIVER'S SEAT
5. BATTERY CHARGE INDICATOR LOCATED NEAR DRIVER SEAT RISER WITH BRACKET
6. EIGHT ADJUSTABLE SHELVES LOCATED PER SHOP ORDER
7. TWO FLOOR MOUNTED SLIDE-OUT TRAYS LOCATED PER SHOP ORDER
8. ONE TILTING/SLIDE-OUT TRAY LOCATED PER SHOP ORDER
9. TWO ALUMINUM TOOLBOARD ADDED TO SLIDE OUT TRAYS PER SHOP ORDER
10. ONE SWING-OUT PAC TRAC TOOLBOARD LOCATED PER SHOP ORDER

11. CTECH FOUR DRAWER ASSEMBLY LOCATED PER SHOP ORDER
12. LITTLE GIANT REVOLUTION MODEL 17 LADDER LOCATED PER SHOP ORDER
13. PAC TRAC INSTALLED ON COMPARTMENT WALLS PER SHOP ORDER
14. PARTITIONS BETWEEN COMPARTMENTS (LS1/B1 & RS1/B1)
15. TWO VERTICAL PEGBOARD PARTITIONS LOCATED PER SHOP ORDER
16. 4-SLOT AIR BAG RACK LOCATED PER SHOP ORDER
17. TWO POLY TOOL BOXES LOCATED PER SHOP ORDER
18. ALUMINUM PEGBOARD LOCATED PER SHOP ORDER

19. SIX 120V DUPLEX RECEPTACLES LOCATED PER SHOP ORDER
20. HANNAY BOOSTER REEL MODEL SBEP34-23-24 WITH CAPACITY FOR 200' OF 1.00" BOOSTER HOSE LOCATED IN COMPARTMENT B1



HOSEBED CAPACITY	
BED 1	300' OF 3.00" D.J. POLY HOSE
BED 2	1000' OF 5.00" D.J. POLY HOSE
BED 3	300' OF 3.00" D.J. POLY HOSE



		JOB NO.	35570
		SCALE	DATE
Pierce PUC Pumper Approval Drawing Greenfield Fire Department		DRAWN BY	150CT20
		CHECKED BY	150CT20
DWG NO. 35570AD		SHEET SIZE	SHEET NO.
		D	1 OF 1

REV	DATE	BY	CH	IMPEL
28DEC20	COL	CW1		PIERCE
11NOV20	COL	CW1		MODEL