

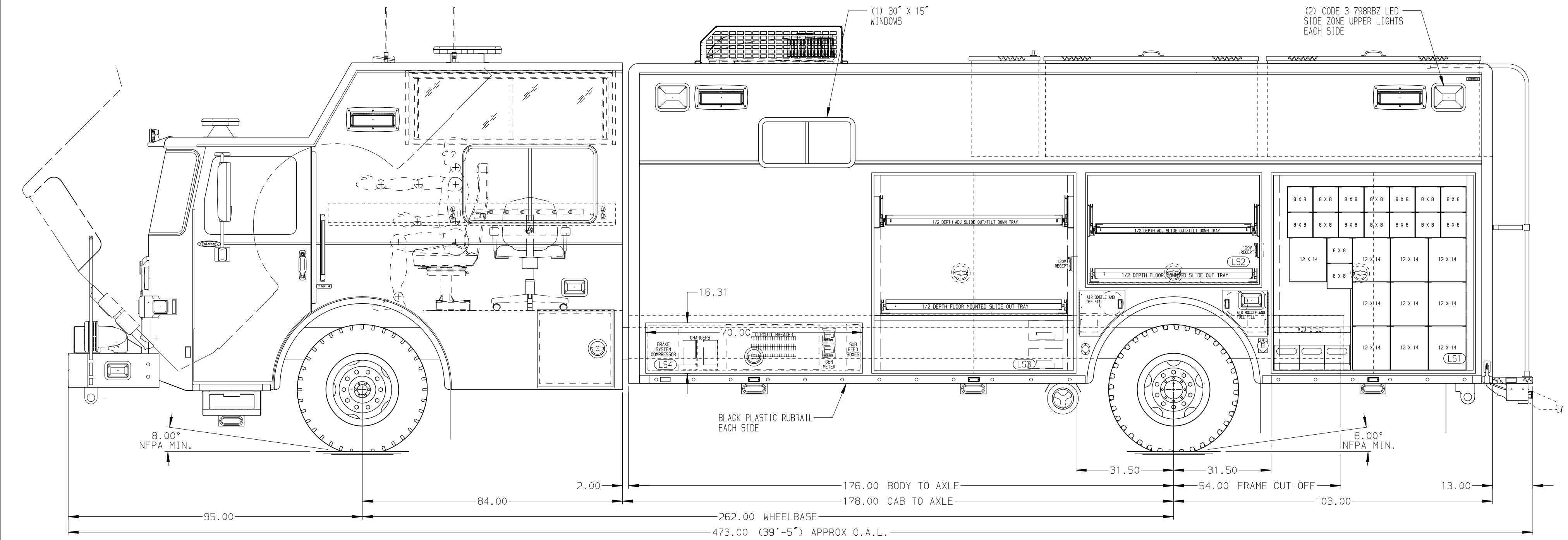
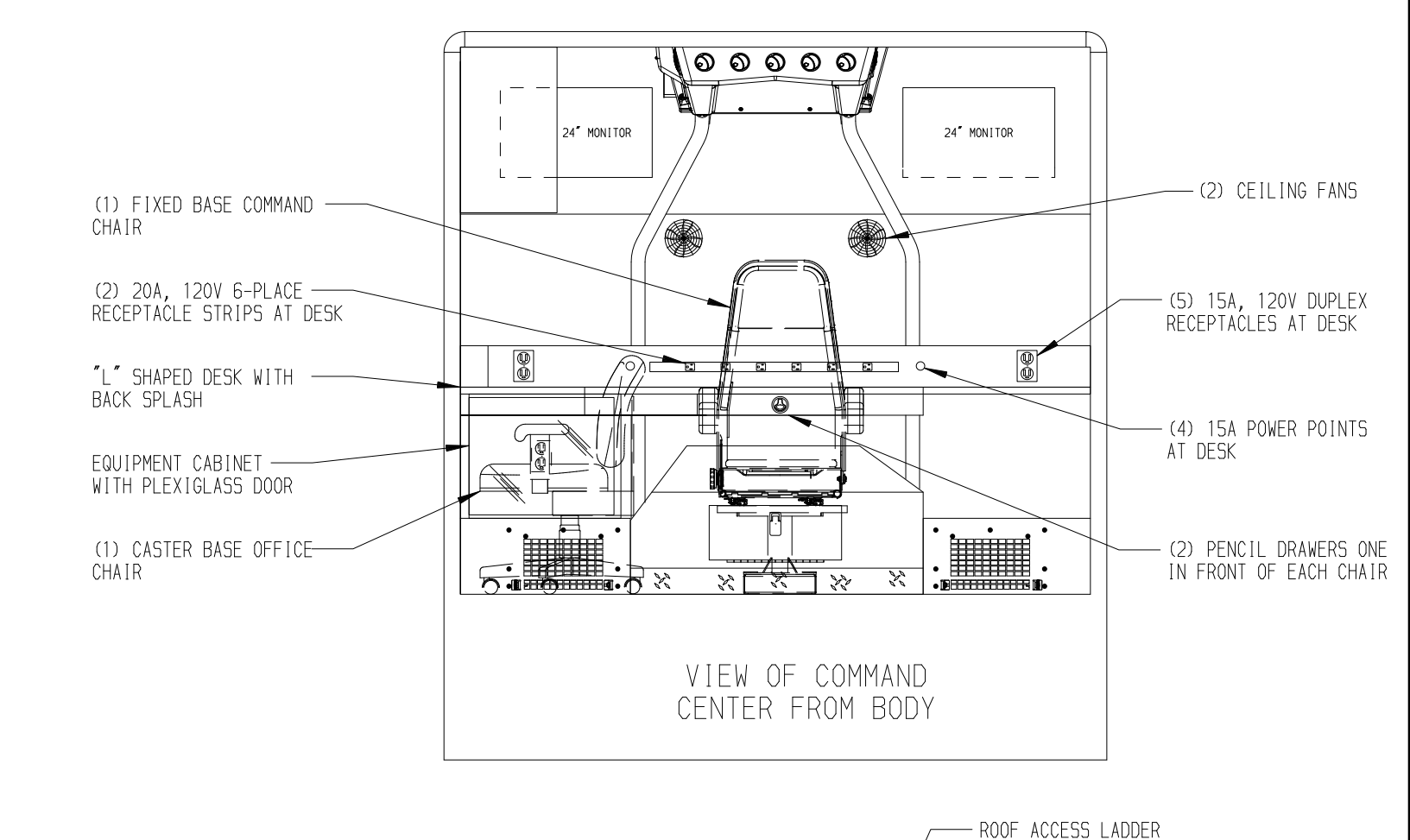
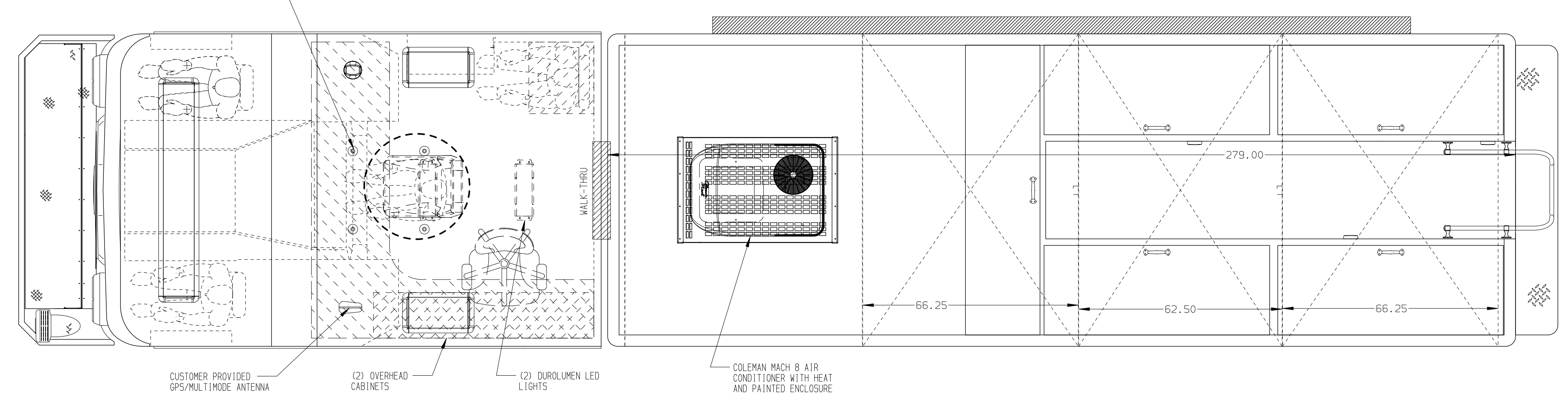
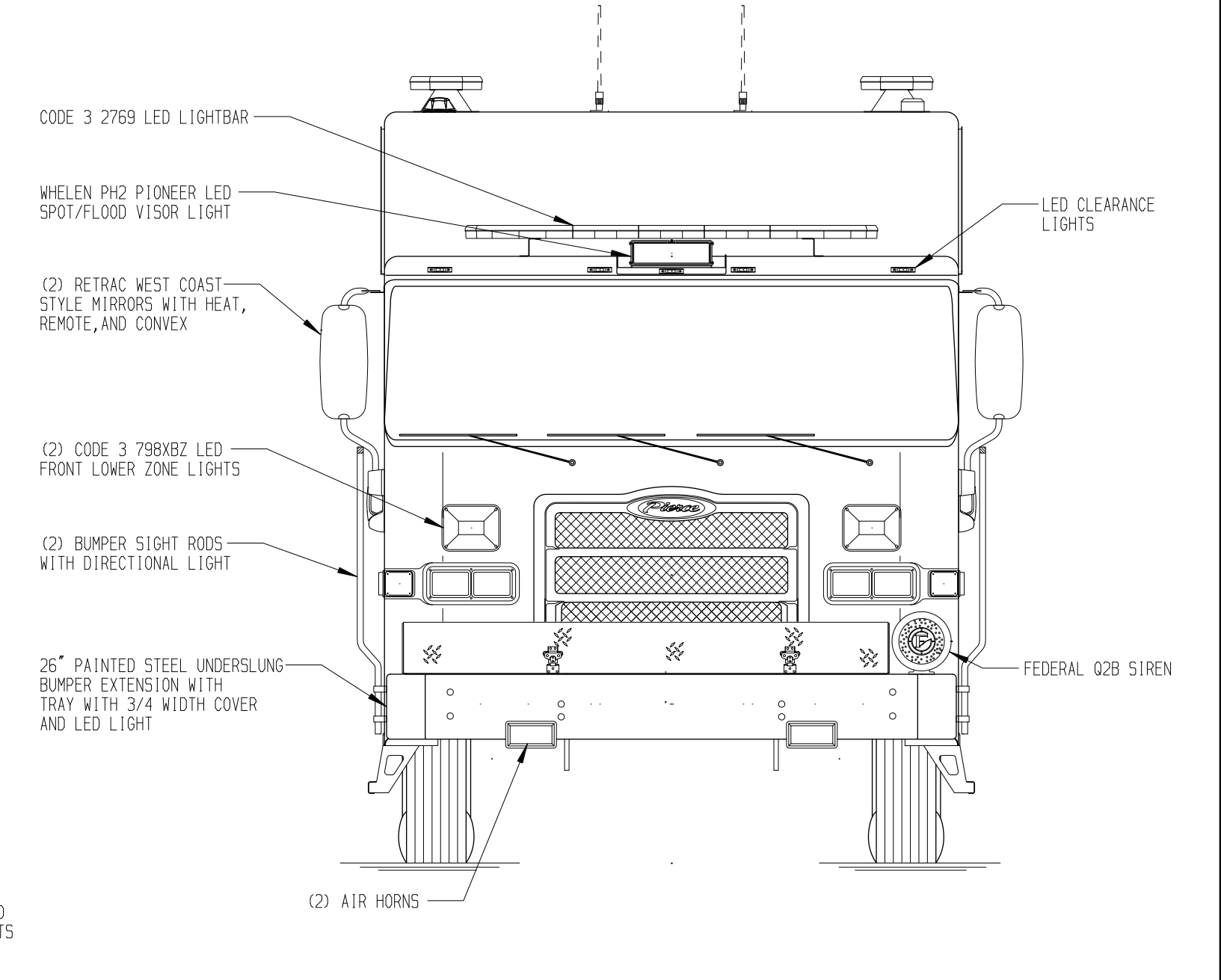
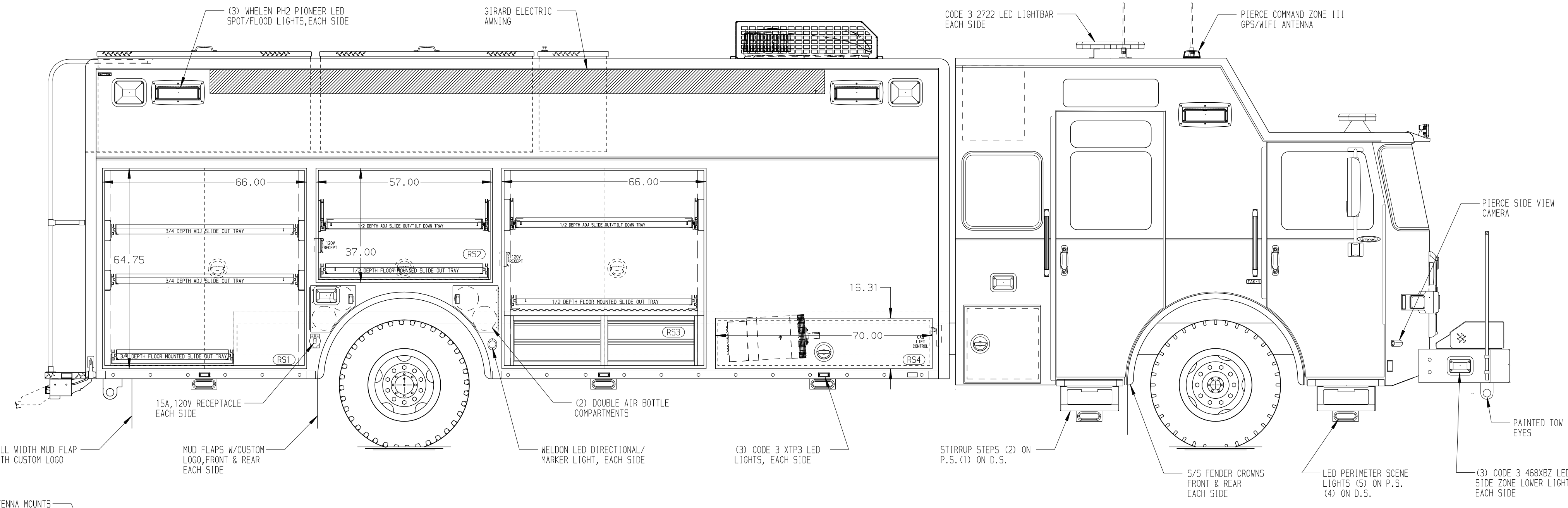
RIGHT SIDE COMPARTMENTS CONTAIN THE FOLLOWING:

COMPARTMENT R51 CONTAINS:
 - (2) 3/4 DEPTH ADJ SLIDE OUT TRAYS
 - (1) 3/4 DEPTH FLOOR MTD SLIDE OUT TRAY

COMPARTMENT R52 CONTAINS:
 - (1) 1/2 DEPTH ADJ SLIDE OUT/TILT TRAY
 - (1) 1/2 DEPTH FLOOR MTD SLIDE OUT TRAY
 - (2) 2-DRAWER C-TECH CABINETS
 - (1) HORIZONTAL FLOOR EXTENSION
 - (1) 15/20A, 120V 4-PLACE RECEPTACLE

COMPARTMENT R53 CONTAINS:
 - (1) 1/2 DEPTH ADJ SLIDE OUT/TILT TRAY
 - (1) 1/2 DEPTH FLOOR MTD SLIDE OUT TRAY
 - (2) 2-DRAWER C-TECH CABINETS
 - (1) HORIZONTAL FLOOR EXTENSION
 - (1) 15/20A, 120V 4-PLACE RECEPTACLE

COMPARTMENT R54 CONTAINS:
 - (1) CAB LIFT CONTROLLER



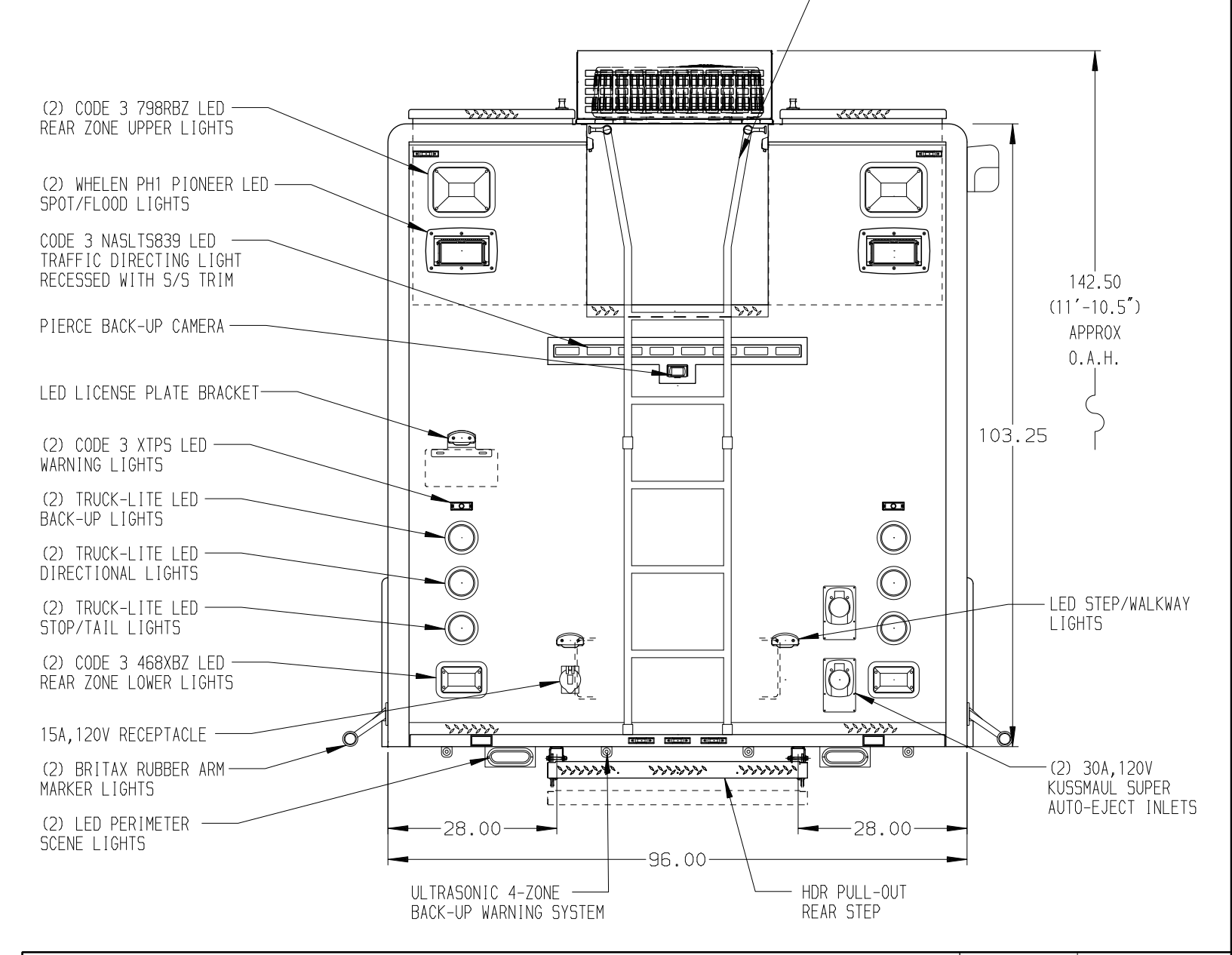
LEFT SIDE COMPARTMENTS CONTAIN THE FOLLOWING:

COMPARTMENT L51 CONTAINS:
 - (1) EQUIPMENT RACK WITH 26 INDIVIDUAL STORAGE SLOTS
 - (1) STD DEPTH ADJ SHELF
 - (3) POLY TOOL BOXES

COMPARTMENT L52 CONTAINS:
 - (1) 1/2 DEPTH ADJ SLIDE OUT/TILT TRAY
 - (1) 1/2 DEPTH FLOOR MTD SLIDE OUT TRAY
 - (1) 15/20A, 120V 4-PLACE RECEPTACLE

COMPARTMENT L53 CONTAINS:
 - (1) PAIR OF FOLDING WHEEL CHOCKS
 - (1) HORIZONTAL FLOOR EXTENSION
 - (1) 15/20A, 120V 4-PLACE RECEPTACLE
 - (1) 1/2 DEPTH ADJ SLIDE OUT/TILT TRAY

COMPARTMENT L54 CONTAINS:
 - BRAKE SYSTEM AIR COMPRESSOR
 - (2) PD2180 BATTERY CHARGERS
 - CIRCUIT BREAKER PANEL
 - (2) SUB FEED PANELS
 - (1) GENERATOR METER PANEL



NOTE
 DIMENSIONS SHOWN ARE APPROXIMATE AND ARE SUBJECT TO MINOR DEVIATIONS AS MAY OCCUR OR BE NECESSARY IN CONSTRUCTION. MINOR DETAILS NOT SHOWN.

NOTES:
 1. ONAN 15KW SINGLE PHASE PTO DRIVEN GENERATOR WITH SPLASH GUARD LOCATED BETWEEN THE FRAME RAILS
 2. AIR INLET WITH DISCONNECT COUPLING LOCATED ON DRIVER'S SEAT RISER
 3. POLISHED 5/5 SCUFFPLATES ON CAB DOOR JAMBS
 4. FLOOR IN CAB AND CREW CAB SHALL BE BLACK LONPLATE 11
 5. FIRECOM 51000 INTERCOM SYSTEM
 6. PULL STRAPS ON LIFT UP DOORS FOR COMPARTMENTS L52 AND R52
 7. POLISHED 5/5 SCUFFPLATES ON CAB AND BODY DOORS AND DOOR FRAMES
 8. PIERCE LED STRIP LIGHTS IN ALL BODY AND HATCH COMPARTMENTS
 9. TURTLE TILE MATTING ON ALL EXTERIOR COMPARTMENT FLOORS, SHELVES AND TRAYS AND ON HATCH COMPARTMENT FLOORS

10. 15A, 120V 6-PLACE RECEPTACLE LOCATED BEHIND OFFICERS SEAT
 11. (1) 15/20A, 120V DUPLEX RECEPTACLE IN THE DRIVER'S SIDE OVERHEAD CAB COMPARTMENT

CLEAR DOOR WIDTH KEY

AMOR ROLL UP DOORS:	-2 1/4"	22JUN21	DHE	AZU	CHASSIS DATA
GORTITE ROLL UP DOORS:	-2 1/2"	10JUN21	DHE	AZU	MAKE
PIERCE DOUBLE LAP DOORS:	-4 1/4"	23APR21	DHE	AZU	PIERCE
PIERCE LIFT-UP LAP DOORS:	-1 1/2"	23FEB21	DHE	AZU	MODEL
(EX: 60" F-F - 2 1/4" = 57 3/4" CLEAR)		REV	DATE	BY	CH
					EN8424

NOTE: LAP DOORS HAVE BEEN SHOWN IN HIDDEN LINES TO CLEARLY IDENTIFY THE EQUIPMENT IN EACH COMPARTMENT. DASHED LINES ON SIDES ARE DOORS IN OPEN POSITION

		JOB NO.	35568
		SCALE	DATE
TITLE	HEAVY DUTY RESCUE WALK-IN/NON-WALK-IN COMBO	DRAWN BY	DHE 15FEB21
FOR	MADISON FIRE DEPARTMENT BID #684	CHECKED BY	AZU 16FEB21
DWG NO.	35568AD-SH1	SHEET SIZE	SHEET NO.
			D 1 OF 1