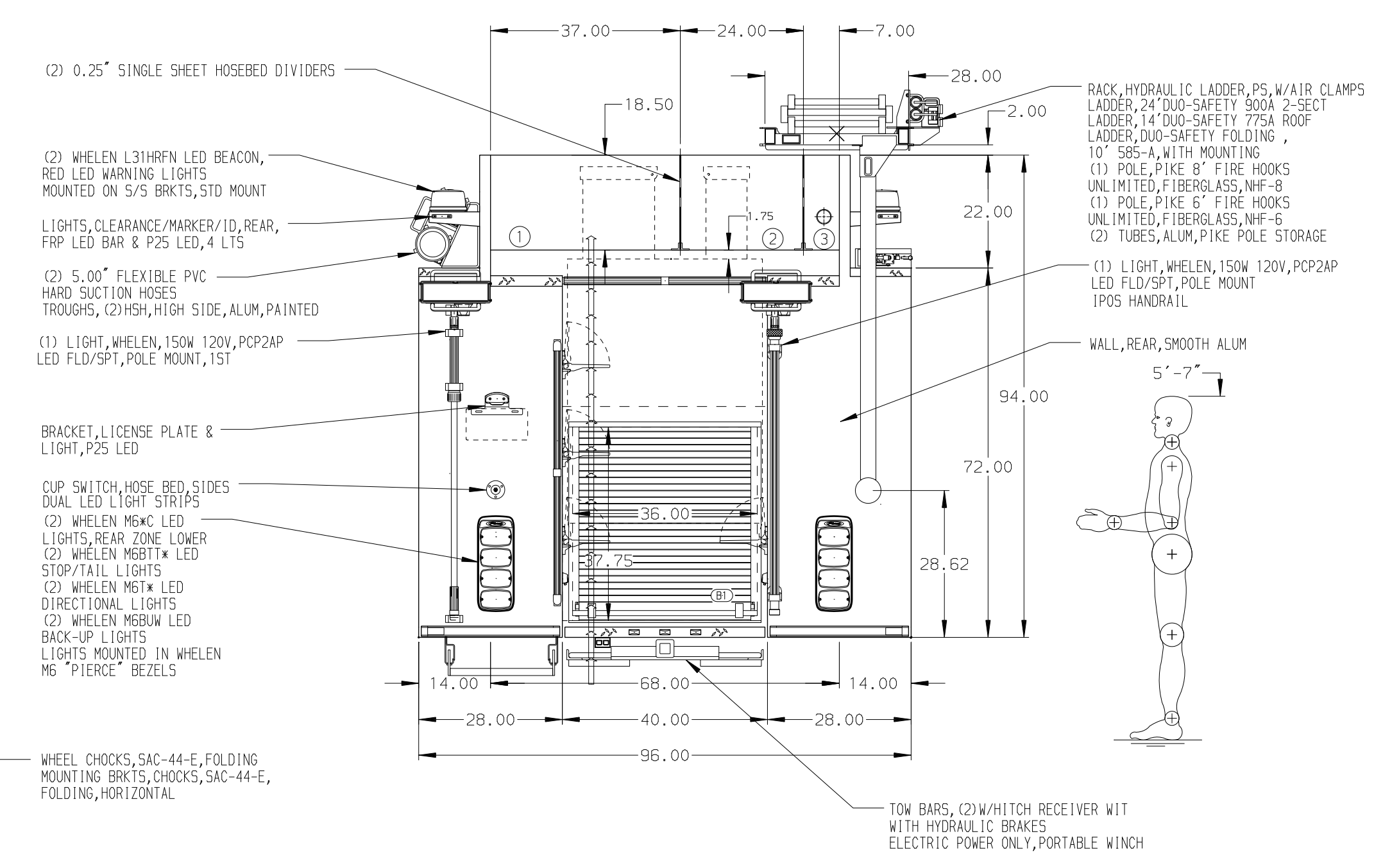
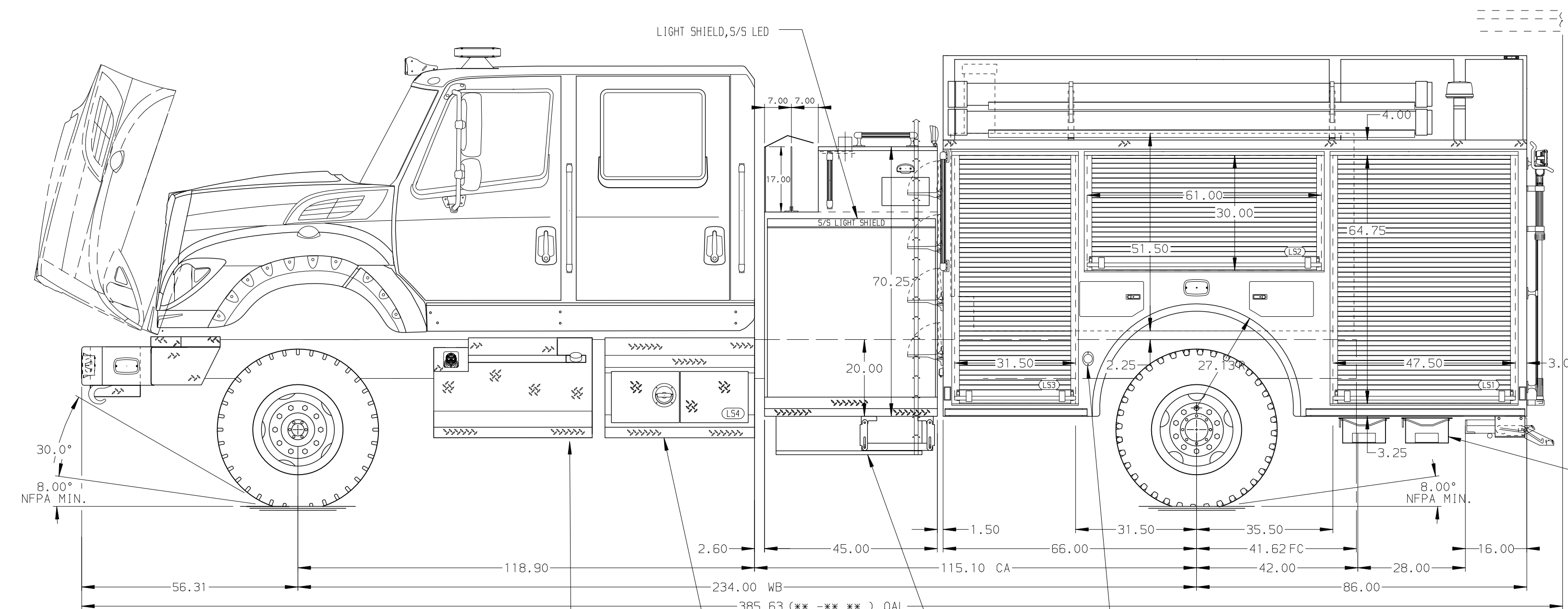


- HOSEBED CAPACITIES**
- ① 1000' OF 3.50" D.J. POLY HOSE
 - ② 1000' OF 2.50" D.J. POLY HOSE
 - ③ 200' OF 2.50" D.J. POLY HOSE



ALUMINUM BODY

NOTE
DIMENSIONS SHOWN ARE APPROXIMATE AND ARE SUBJECT TO MINOR DEVIATIONS AS MAY OCCUR OR BE NECESSARY IN CONSTRUCTION. MINOR DETAILS NOT SHOWN.

		JOB NO.	35564
		SCALE	DATE
TITLE	1000-D-725P WATER/25 FOAM, 152" BODY, FL HGT&DP FRT&RR 45" SIDE CONTROL (2) 1.5", CROSSLAYS	DRAWN BY	JLA
FOR	BEAVER CO. FIRE DISTRICT NO.1 BEAVER, UTAH	CHECKED BY	RWI
DWG NO.	35564AD	SHEET SIZE	D
		SHEET NO.	1 OF 1

				CHASSIS DATA
05MAY21	JLA	GSC		MAKE
26MAR21	RHU	GSC		IHC
28JAN21	JLA	RWI		MODEL HV507 4x4
REV	DATE	BY	CH	