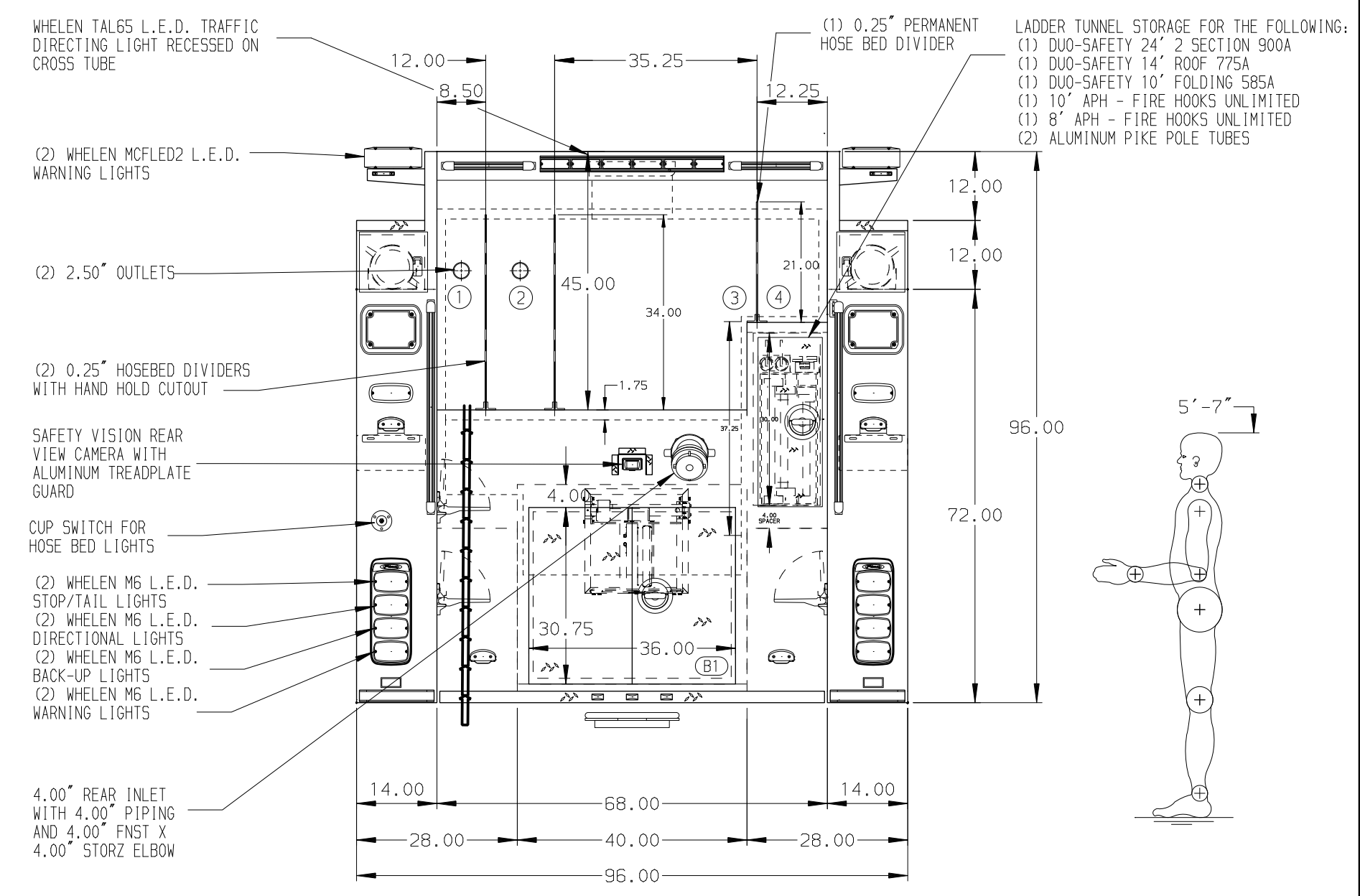
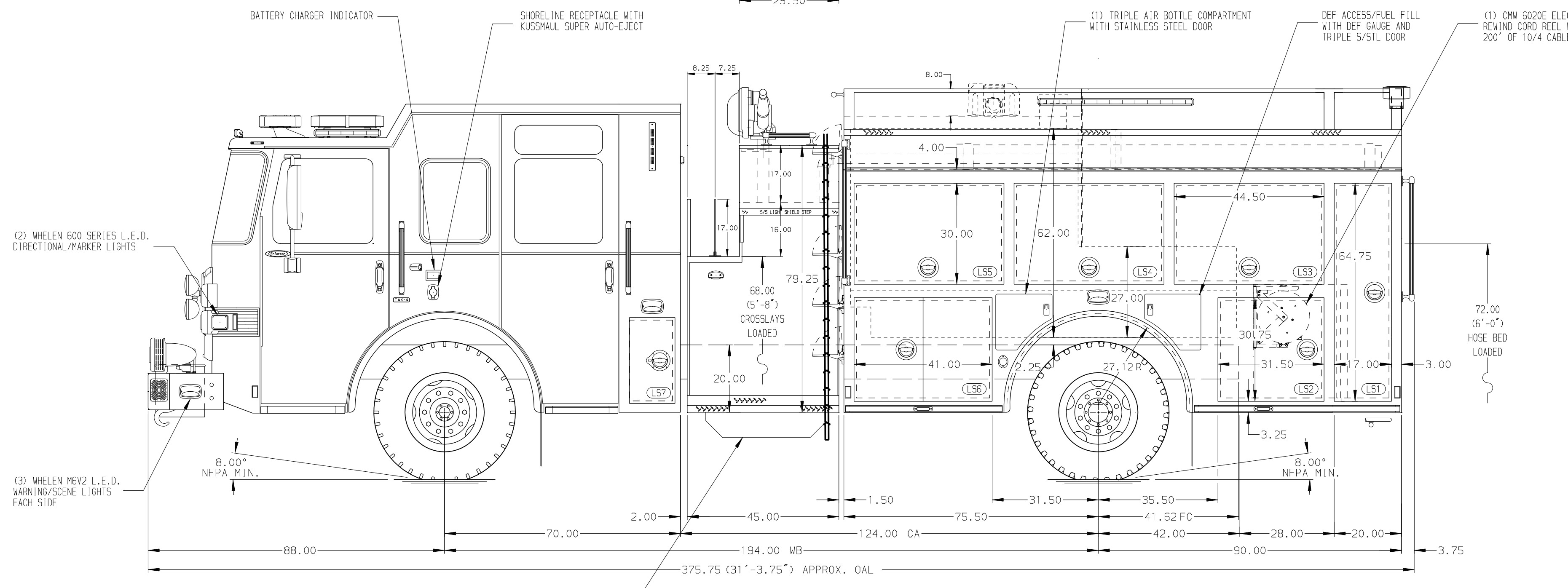


- HOSEBED CAPACITIES
- ① - 300' OF 1.75\" MERCEDES HOSE
 - ② - 300' OF 2.50\" MERCEDES HOSE
 - ③ - 1200' OF 4.00\" MERCEDES HOSE
 - ④ - 300' OF 3.00\" MERCEDES HOSE



ALUMINUM BODY

SIDE ROLL AND FRONTAL IMPACT PROTECTION

NOTE
DIMENSIONS SHOWN ARE APPROXIMATE AND ARE SUBJECT TO MINOR DEVIATIONS AS MAY OCCUR OR BE NECESSARY IN CONSTRUCTION. MINOR DETAILS NOT SHOWN.

1. ONSPOT AUTOMATIC TIRE CHAINS TO BE PROVIDED AT REAR
2. DUAL L.E.D. LIGHT STRIPS LOCATED IN HOSE BED
3. PULL STRAP ON DOOR IN COMPARTMENT LS3, LS4, LS5, RS3, RS4 AND RS5
4. ONE FULL WIDTH/DEPTH ADJUSTABLE SHELF IN COMPARTMENT RS3 AND TWO IN LS3
5. ONE ADJUSTABLE SLIDE-OUT TRAY IN COMPARTMENT LS6
6. ONE FLOOR MOUNTED SLIDE-OUT TRAY IN COMPARTMENT RS6
7. PAC TRAC ON BACK WALL OF COMPARTMENT LS4 AND LS5
8. CIRCUIT BREAKER PANEL IN COMPARTMENT LS5
9. AIR INLET WITH DISCONNECT COUPLING RECESSED IN CAB STEP
10. AIR OUTLET WITH SHUT OFF VALVE ON BOTH PUMP PANELS
11. BATTERY CHARGER LOCATED BEHIND THE DRIVERS SEAT
12. COMPRESSOR LOCATED BEHIND THE OFFICER CAB SEAT

				JOB NO.	35561
				SCALE	DATE
21APR21	JJB	DTS	CHASSIS DATA	TITLE	1500-D-1000P, 145\"/>
24MAR21	JJB	DTS	MAKE	FOR	WALKERSVILLE VOLUNTEER FIRE COMPANY
24MAR21	JJB	DTS	PIERCE		WALKERSVILLE, MARYLAND
29JAN21	JJB	CDU	MODEL	DWG NO.	35561AD
REV	DATE	BY	CH	ENFORCER	
					SHEET NO. 1 OF 1