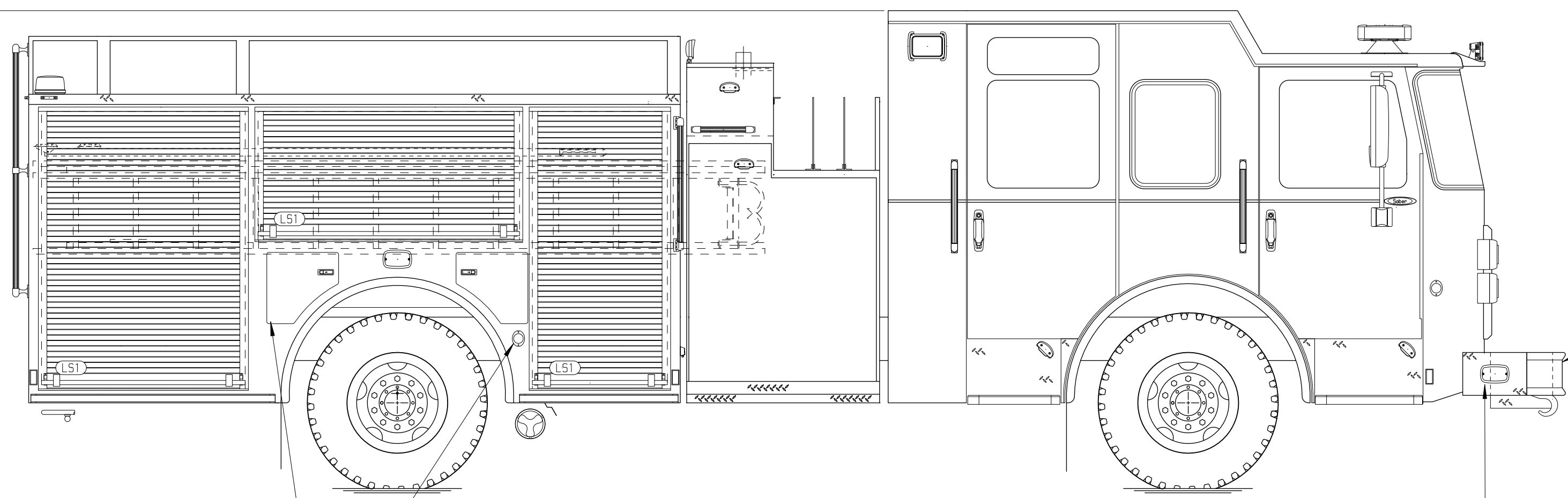


112.00 (9'-4.00") APPROX O.A.H.



(2) TRIPLE AIR BOTTLE COMPARTMENTS WITH PAINTED DOORS, C-2 CHROME LATCHES

(1) WELDON 9186-8580-29 L.E.D. DIRECTIONAL/MARKER LIGHT EACH SIDE

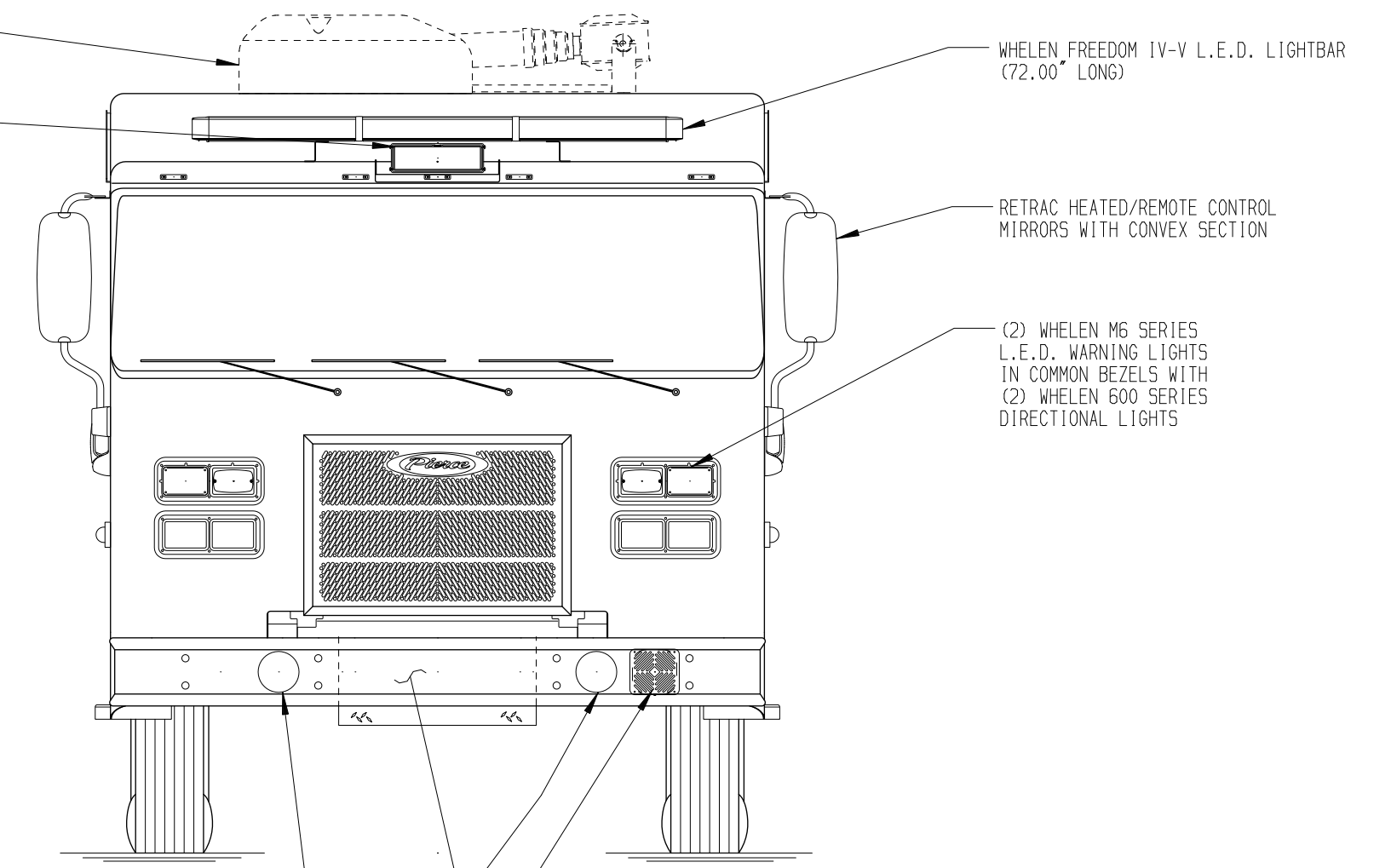
30 GALLON FOAM CELL

(2) WHELEN M6 SERIES L.E.D. WARNING LIGHTS EACH SIDE

PROVISIONS FOR WILL-BURT NIGHT SCAN POWERLITE NS 3.0 10"

(1) WHELEN PIONEER PW42 L.E.D. VISOR LIGHT

19.00" BUMPER EXTENSION WITH CENTER TRAY FOR 1.25" OF 1.75" HOSE



WHELEN FREEDOM IV-V L.E.D. LIGHTBAR (72.00" LONG)

RETRAC HEATED/REMOTE CONTROL MIRRORS WITH CONVEX SECTION

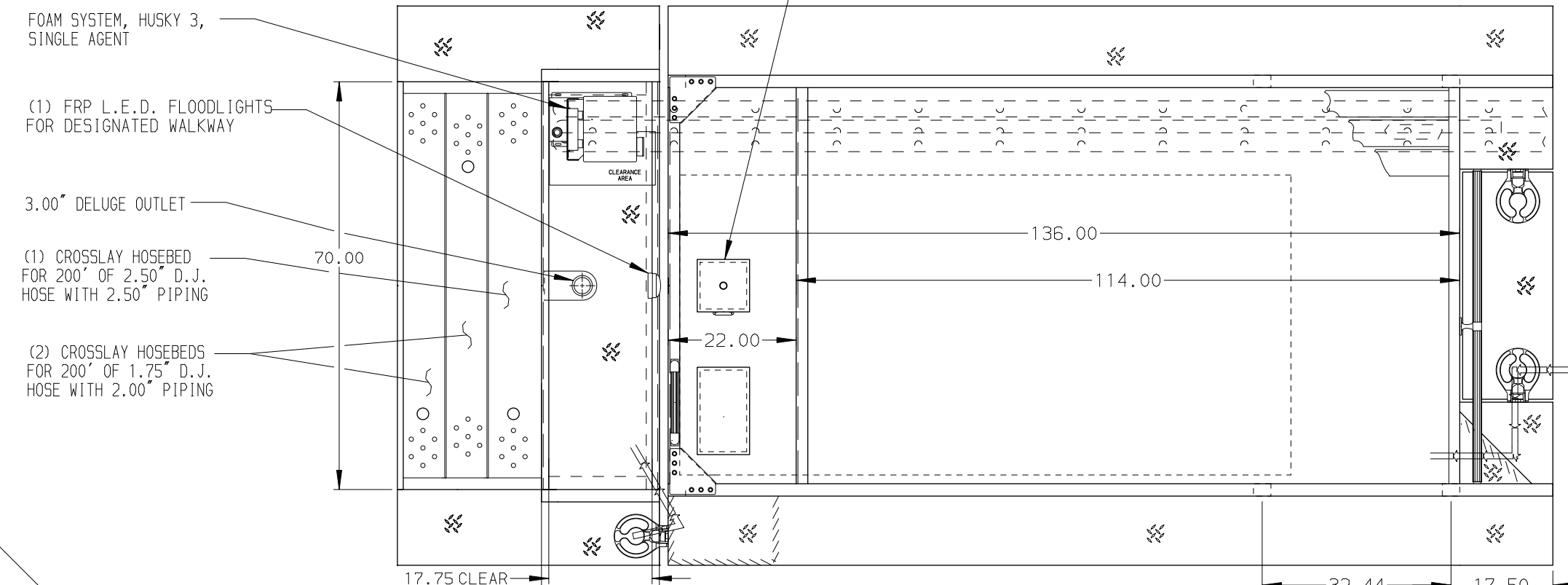
(2) WHELEN M6 SERIES L.E.D. WARNING LIGHTS IN COMMON BEZELS WITH (2) WHELEN 600 SERIES DIRECTIONAL LIGHTS

(1) WLN, SA315P, W/POLISHED STAINLESS STEEL GRILLE, SPEAKER, POS#7

(1) 1.50" OUTLET WITH 2.00" PIPING AND SWIVEL TERMINATING IN TRAY

(2) GROVER AIR HORNS, POS#285

HOSEBED CAPACITIES
 ① 200' OF 2.50" D.J. POLY HOSE
 ② 1000' OF 5.00" D.J. POLY HOSE
 ③ 200' OF 2.50" D.J. POLY HOSE



FOAM SYSTEM, HUSKY 3, SINGLE AGENT

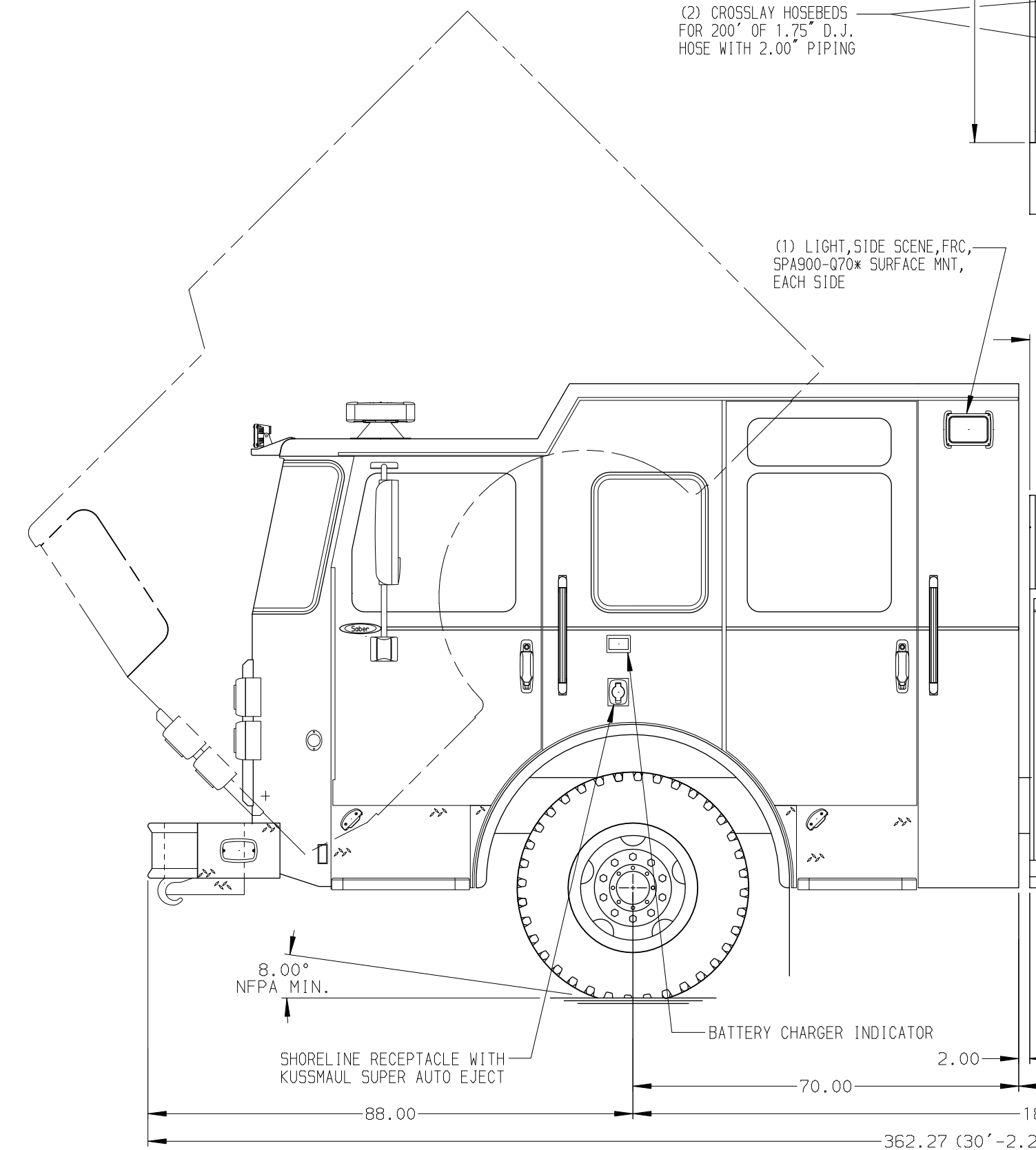
(1) FRP L.E.D. FLOODLIGHTS FOR DESIGNATED WALKWAY

3.00" DELUGE OUTLET

(1) CROSSLAY HOSEBED FOR 200' OF 2.50" D.J. HOSE WITH 2.50" PIPING

(2) CROSSLAY HOSEBEDS FOR 200' OF 1.75" D.J. HOSE WITH 2.00" PIPING

(1) LIGHT, SIDE SCENE, FRP, SPA900-070X SURFACE MNT, EACH SIDE



DIESEL EXHAUST FLUID ACCESS WITH DOUBLE AIR BOTTLE STORAGE

FUEL FILL ACCESS WITH DOUBLE AIR BOTTLE STORAGE

8.00" NFPA MIN.

BATTERY CHARGER INDICATOR

SHORELINE RECEPTACLE WITH KUSSMAUL SUPER AUTO EJECT

SURFACE DESIGNATION AND PATHWAY MARKINGS

(2) 0.25" SINGLE SHEET HOSEBED DIVIDERS

(2) WHELEN L31HRFN L.E.D. WARNING LIGHTS

(2) WHELEN M6ZC L.E.D. SCENE LIGHTS

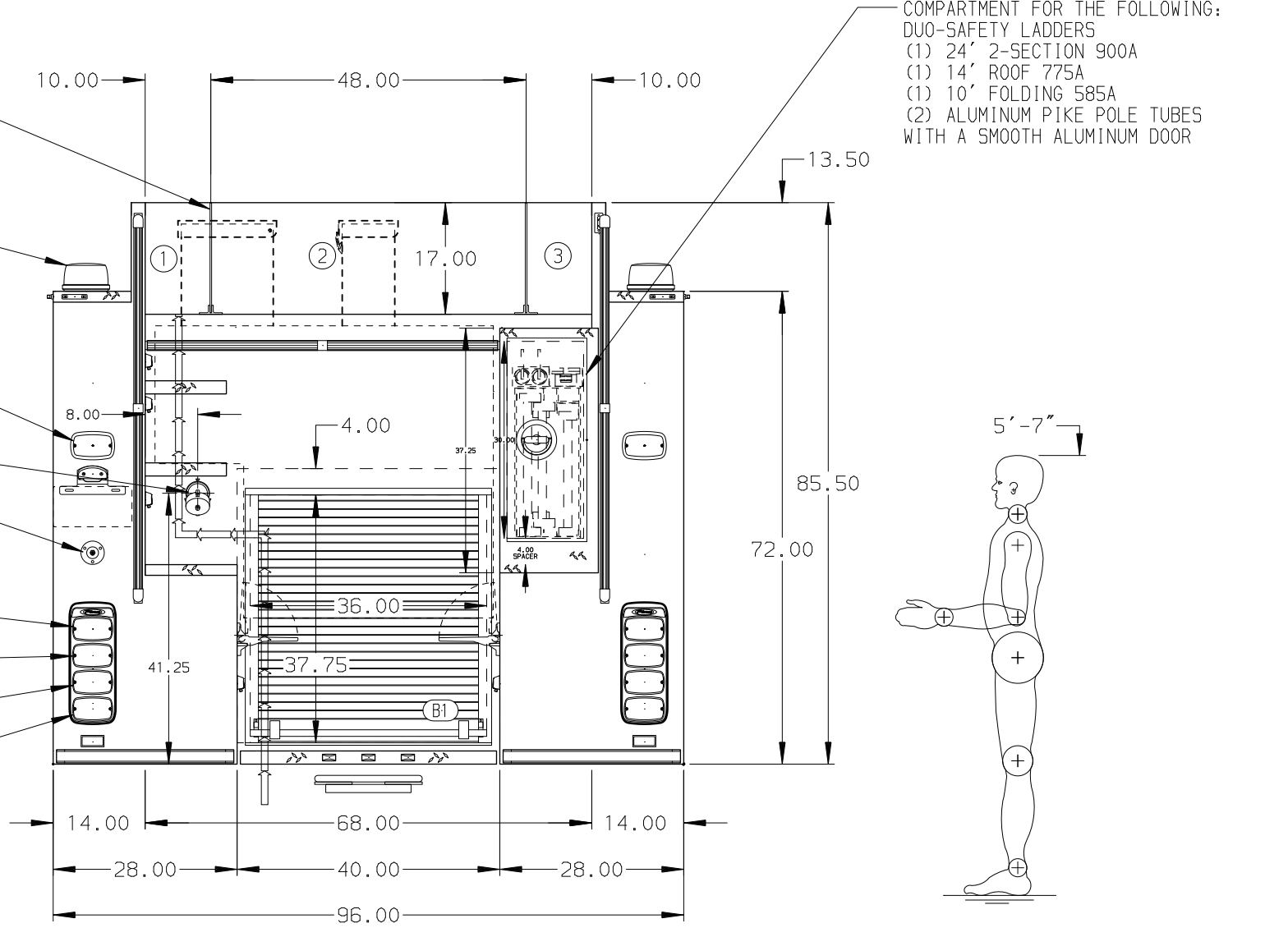
(1) 2.50" OUTLET CUP SWITCH FOR HOSE BED LIGHTS

(2) WHELEN M6 L.E.D. WARNING LIGHTS

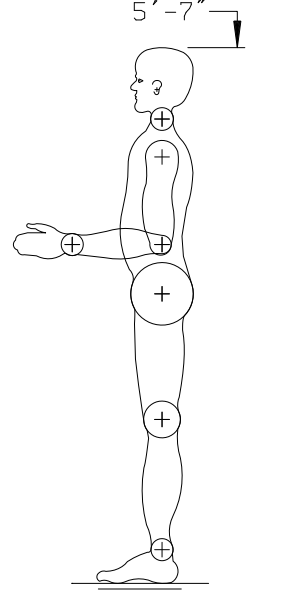
(2) WHELEN M6 L.E.D. STOP/TAIL LIGHTS

(2) WHELEN M6 L.E.D. DIRECTIONAL LIGHTS

(2) WHELEN M6 L.E.D. BACK-UP LIGHTS MOUNTED IN WHELEN M6 "PIERCE" BEZELS



COMPARTMENT FOR THE FOLLOWING:
 (1) DUO-SAFETY LADDERS
 (1) 24" 2-SECTION 900A
 (1) 14" ROOF 775A
 (1) 10" FOLDING 585A
 (2) ALUMINUM PIKE POLE TUBES WITH A SMOOTH ALUMINUM DOOR



ALUMINUM BODY

NOTE
 DIMENSIONS SHOWN ARE APPROXIMATE AND ARE SUBJECT TO MINOR DEVIATIONS AS MAY OCCUR OR BE NECESSARY IN CONSTRUCTION.
 MINOR DETAILS NOT SHOWN.

REV	DATE	BY	CH	SABER FR



TITLE 1500-D-770 GAL, 750 WATER, 20 GAL FOAM, 152" PUMPER BODY
 (2) CROSSLAYS, 45" PUMPHOUSE, DELUGE
FOR PIERCE FIELD UNIT
 BRADENTON, FLORIDA
DWG NO. 35558AD

JOB NO.	35558
SCALE	1:24
DATE	
DRAWN BY	RHU
10AUG20	
CHECKED BY	CAG
10AUG20	
SHEET SIZE	D
SHEET NO.	1 OF 1