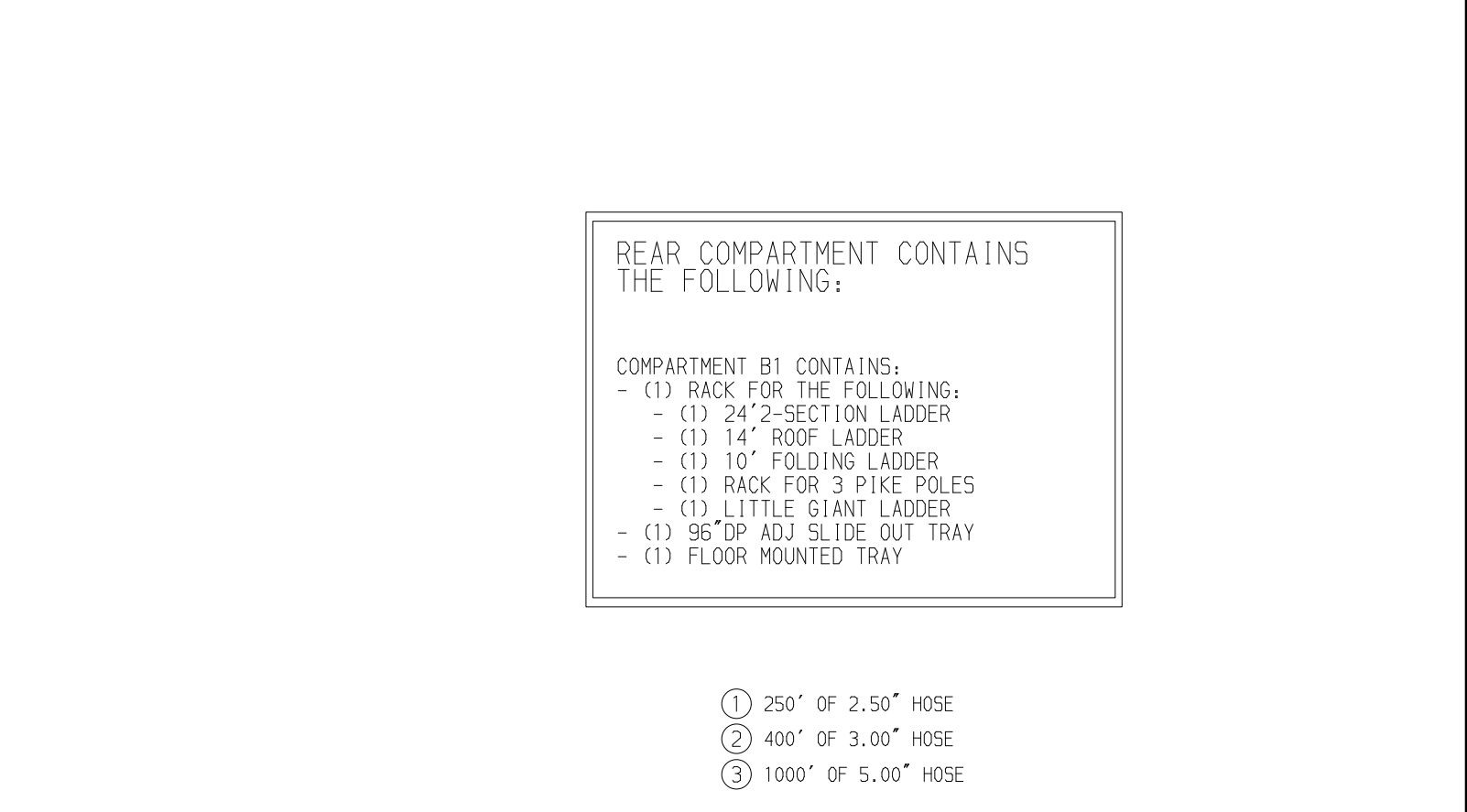
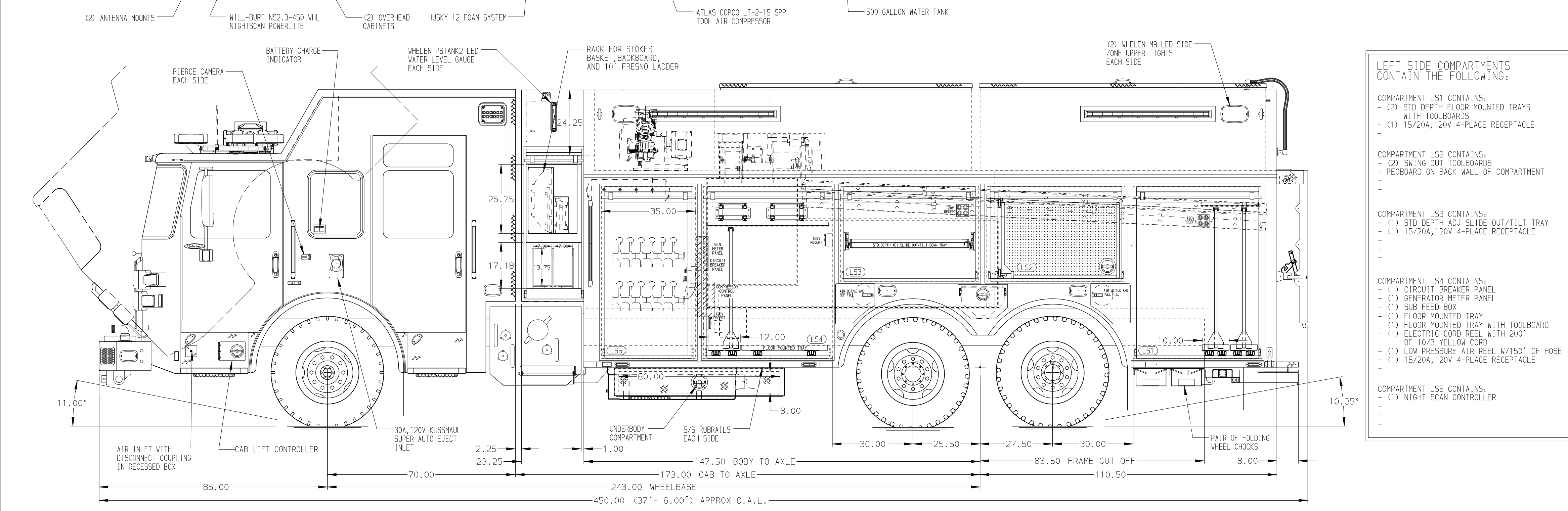
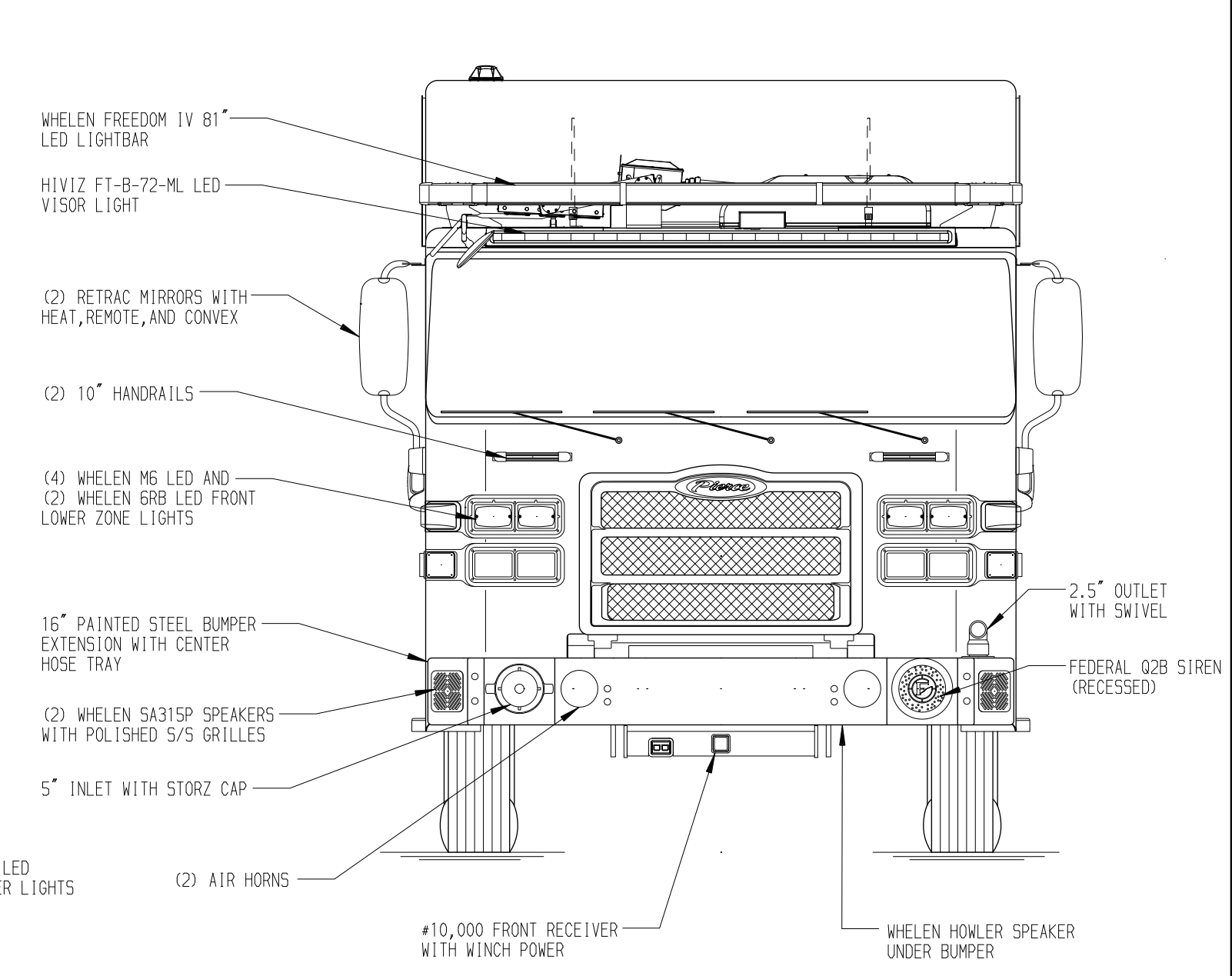
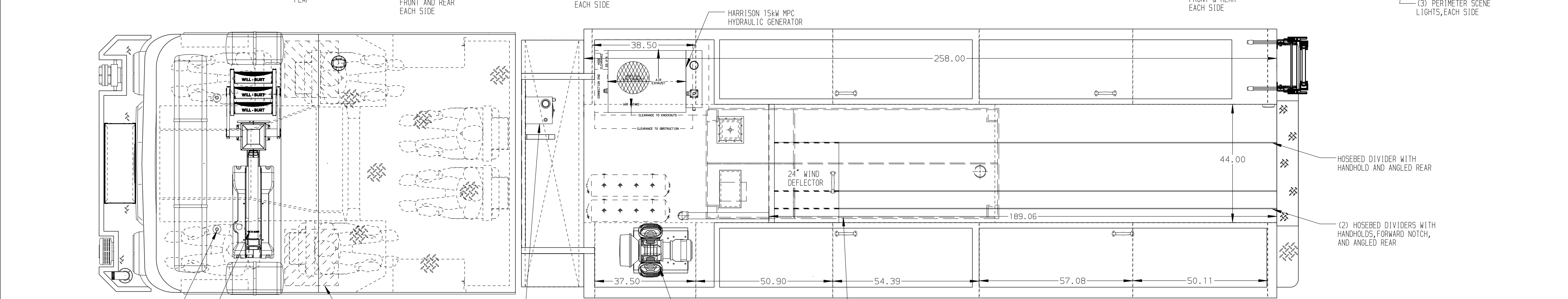


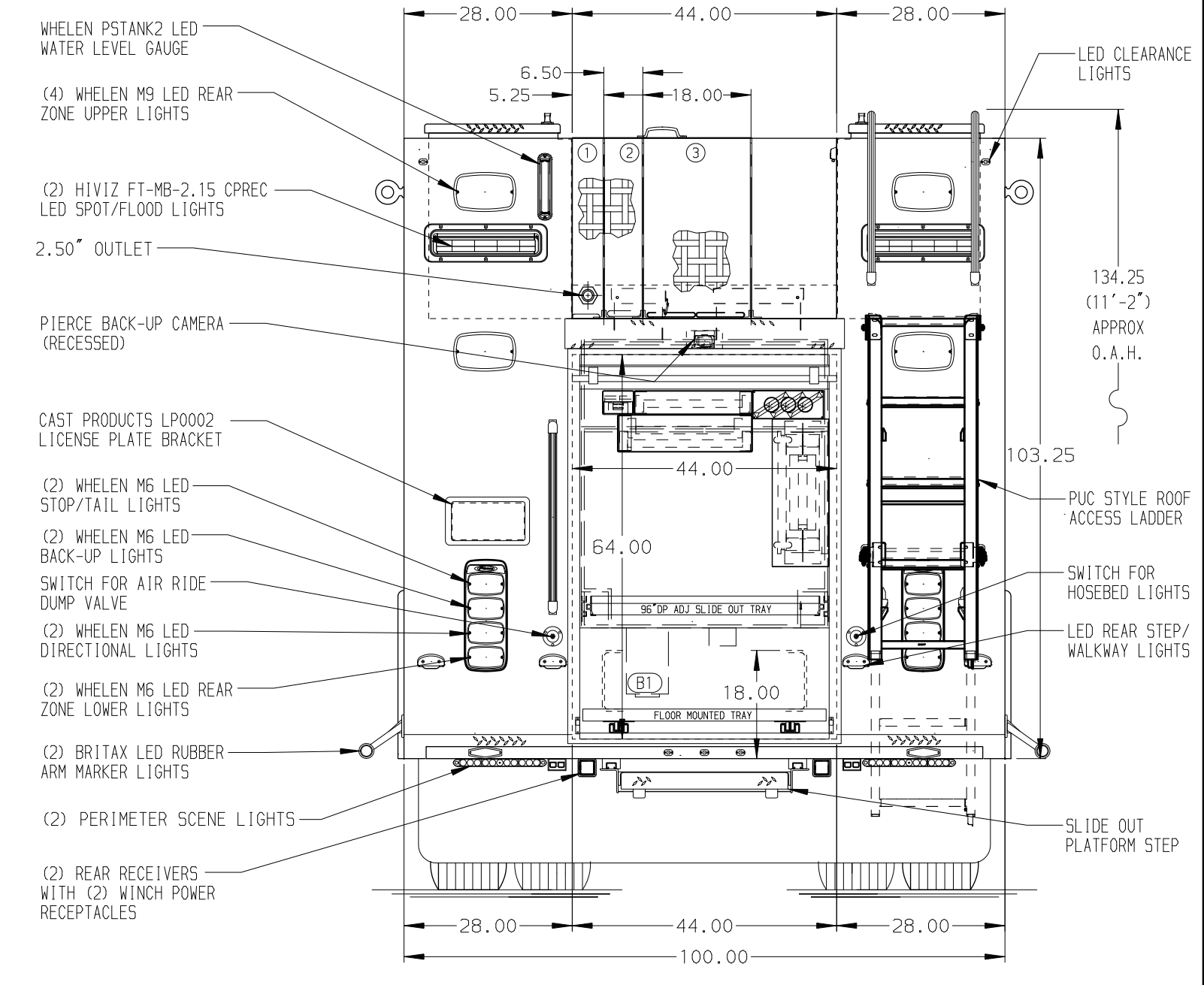
- RIGHT SIDE COMPARTMENTS CONTAIN THE FOLLOWING:**
- COMPARTMENT RS1 CONTAINS:
    - (3) STD DEPTH ADJ SHELVES
    - (1) VERTICAL PEGBOARD DIVIDER
    - (2) STD DEPTH ADJ SLIDE OUT TRAYS WITH TOOLBOARDS
  - COMPARTMENT RS2 CONTAINS:
    - (1) RACK FOR 7 AIR BAGS
  - COMPARTMENT RS3 CONTAINS:
    - (1) STD DEPTH ADJ SLIDE OUT/TILT TRAY
  - COMPARTMENT RS4 CONTAINS:
    - (1) 30A, 240V T.L. RECEPTACLE
    - (1) ELECTRIC CORD REEL WITH 200' OF 10/3 YELLOW CORD
    - (1) LOW PRESSURE AIR REEL W/150' OF HOSE
    - (1) FLOOR MOUNTED TRAY W/ (2) TOOLBOARDS
  - COMPARTMENT RS5 CONTAINS:
    - (1) STD DEPTH ADJ SHELF
    - (1) STD DEPTH ADJ SLIDE OUT TRAY
    - (1) STD DEPTH ADJ SLIDE OUT/TILT TRAY
    - (1) 4-DRAWER C-TECH CABINET
    - (4) 15/20A, 120V 4-PLACE RECEPTACLES



- REAR COMPARTMENT CONTAINS THE FOLLOWING:**
- COMPARTMENT B1 CONTAINS:
    - (1) RACK FOR THE FOLLOWING:
      - (1) 24'-2-SECTION LADDER
      - (1) 14' ROOF LADDER
      - (1) 10' FOLDING LADDER
      - (1) RACK FOR 3 PIKE POLES
      - (1) LITTLE GIANT LADDER
      - (1) 96" UP ADJ SLIDE OUT TRAY
      - (1) FLOOR MOUNTED TRAY

- 1 250' OF 2.50" HOSE
- 2 400' OF 3.00" HOSE
- 3 1000' OF 5.00" HOSE

- LEFT SIDE COMPARTMENTS CONTAIN THE FOLLOWING:**
- COMPARTMENT LS1 CONTAINS:
    - (2) STD DEPTH FLOOR MOUNTED TRAYS WITH TOOLBOARDS
    - (1) 15/20A, 120V 4-PLACE RECEPTACLE
  - COMPARTMENT LS2 CONTAINS:
    - (2) SWING OUT TOOLBOARDS
    - PEGBOARD ON BACK WALL OF COMPARTMENT
  - COMPARTMENT LS3 CONTAINS:
    - (1) STD DEPTH ADJ SLIDE OUT/TILT TRAY
    - (1) 15/20A, 120V 4-PLACE RECEPTACLE
  - COMPARTMENT LS4 CONTAINS:
    - (1) CIRCUIT BREAKER PANEL
    - (1) GENERATOR METER PANEL
    - (1) SUB FEED BOX
    - (1) FLOOR MOUNTED TRAY
    - (1) FLOOR MOUNTED TRAY WITH TOOLBOARD
    - (1) ELECTRIC CORD REEL WITH 200' OF 10/3 YELLOW CORD
    - (1) LOW PRESSURE AIR REEL W/150' OF HOSE
    - (1) 15/20A, 120V 4-PLACE RECEPTACLE
  - COMPARTMENT LS5 CONTAINS:
    - (1) NIGHT SCAN CONTROLLER



**NOTE**  
DIMENSIONS SHOWN ARE APPROXIMATE AND ARE SUBJECT TO MINOR DEVIATIONS AS MAY OCCUR OR BE NECESSARY IN CONSTRUCTION. MINOR DETAILS NOT SHOWN.

- NOTES:**
- PIERCE 1500 GPM PIERCE PUC PUMP
  - RUD AUTOMATIC TIRE CHAINS
  - WORN #10,000 PORTABLE WINCH
  - GAST BRAKE SYSTEM AIR COMPRESSOR LOCATED BEHIND DRIVER'S SEAT
  - ALUMINUM TREADPLATE ON CAB AND CREW CAB ROOF
  - FLOOR IN CAB AND CREW CAB TO BE ALUMINUM TREADPLATE
  - DAVID CLARK 7-POSITION INTERCOM SYSTEM
  - KUSSMAUL 1200 CHARGER LOCATED BEHIND DRIVER'S SEAT
  - ELASTIC PULL STRAPS ON ALL BODY ROLL-UP DOORS
  - AMDR LED LIGHTS ON FRONT SHEET OF CARGO AREA
  - (1) #9,000 RECEIVER STYLE ROPE ANCHOR
  - S/S GUARDS ON ALL BODY ROLL-UP DOORS
  - PIERCE LED LIGHTS IN ALL BODY AND HATCH COMPARTMENTS
  - DUAL LED LIGHT STRIPS IN HOSE BED
  - DRI-DECK MATTING IN ALL BODY SHELVES AND TRAYS
  - DRI-DECK MATTING ON FLOOR IN COMPARTMENTS LS3, LS5, AND RS3
  - (2) HORIZONTAL EQUIPMENT MOUNTING TRACKS SHIPPED LOOSE

**STAINLESS STEEL BODY**  
**MAXIMUM O.A.L. TARGET 37'-6"**  
**(SIDE ROLL AND FRONTAL IMPACT PROTECTION)**

**CLEAR DOOR WIDTH KEY**

AMDR ROLL UP DOORS:	-2 1/4"	07JUN21	DHE	AZU	CHASSIS DATA
GORTITE ROLL UP DOORS:	-2 1/2"	27MAY21	DHE	AZU	MAKE
PIERCE DOUBLE LIP DOORS:	-4 1/4"	12APR21	DHE	AZU	PIERCE
PIERCE LIFT-UP LAP DOORS:	-1 1/2"	09FEB21	DHE	AZU	MODEL
(EX: 60" F-F - 2 1/4" = 57 3/4" CLEAR)		REV	DATE	BY	CH
					EN7024

<b>Pierce MANUFACTURING INC.</b>		JOB NO.	35535
		SCALE	DATE
		1:24	
TITLE	HEAVY DUTY RESCUE	DRAWN BY	26JAN21
FOR	NON-WALK-IN/PUC 500 GALLON WATER-100 GALLON FOAM	CHECKED BY	28JAN21
	BEL AIR VOLUNTEER FIRE CO.	AZU	
	BID #522	CHRIS BRESLIN	
DWG NO.	35535AD	SHEET SIZE	SHEET NO.
		D	1 OF 1