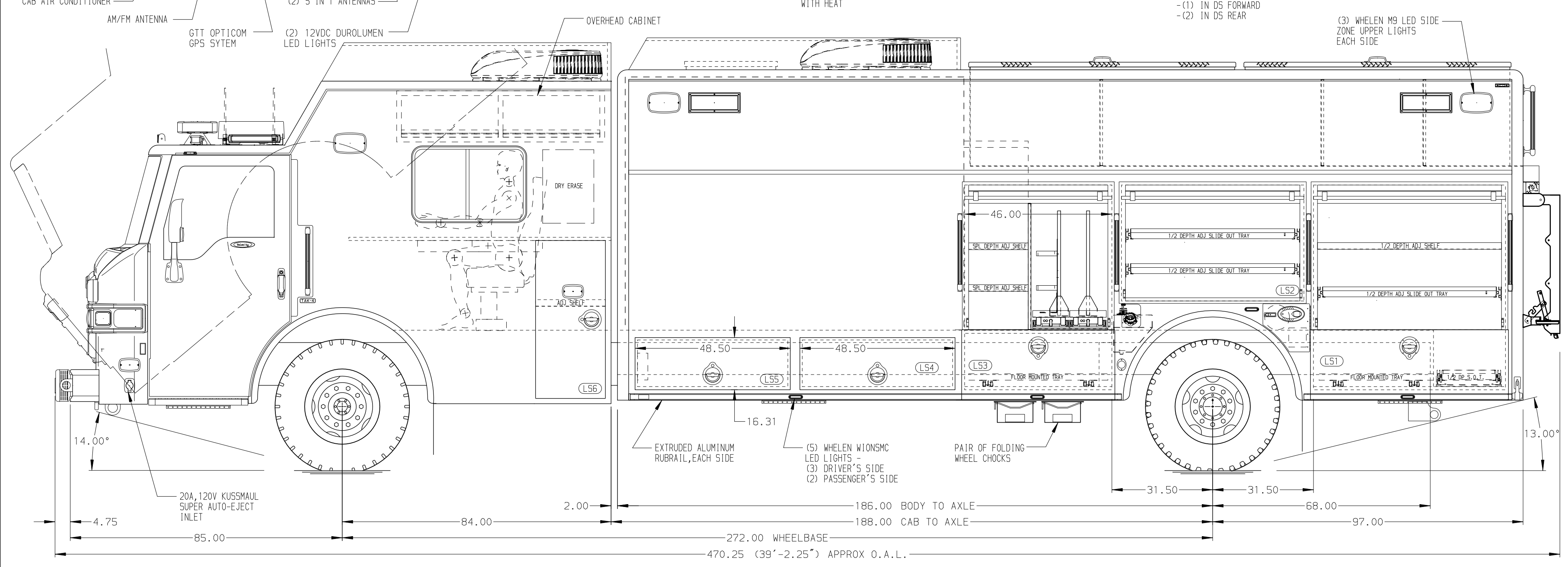
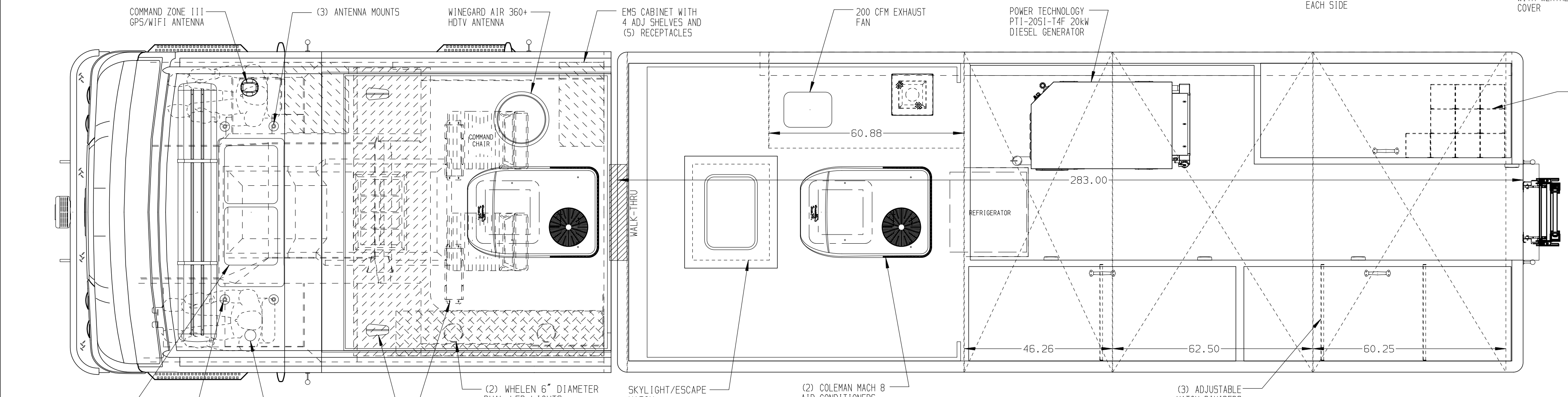
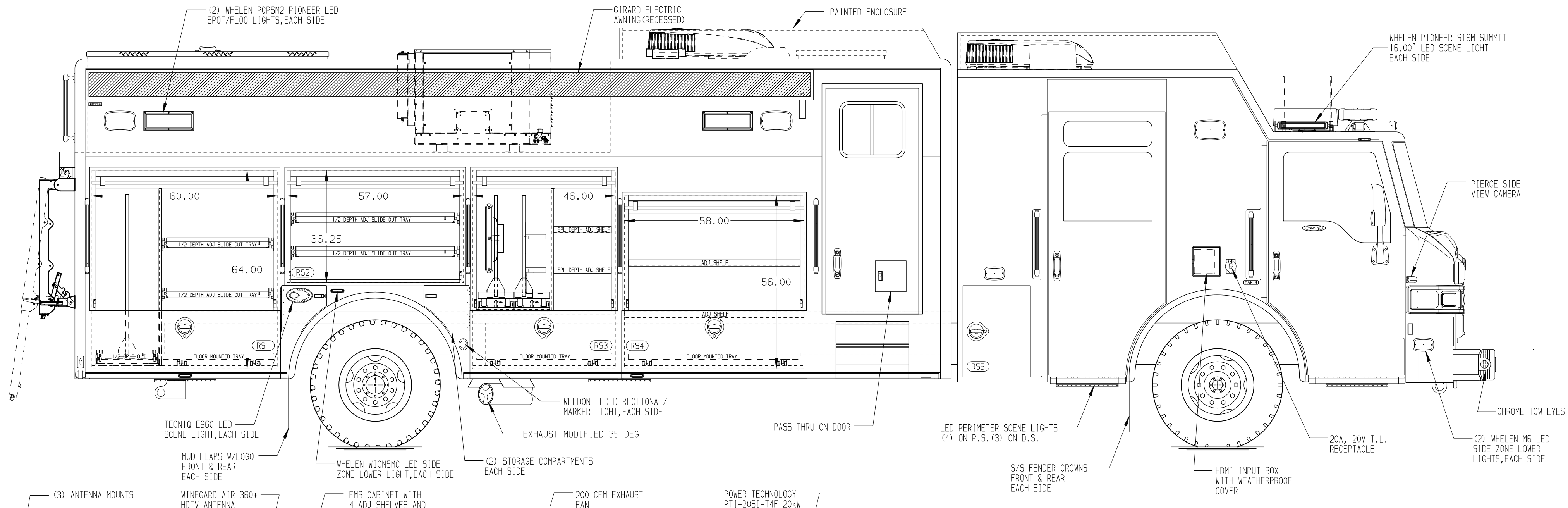
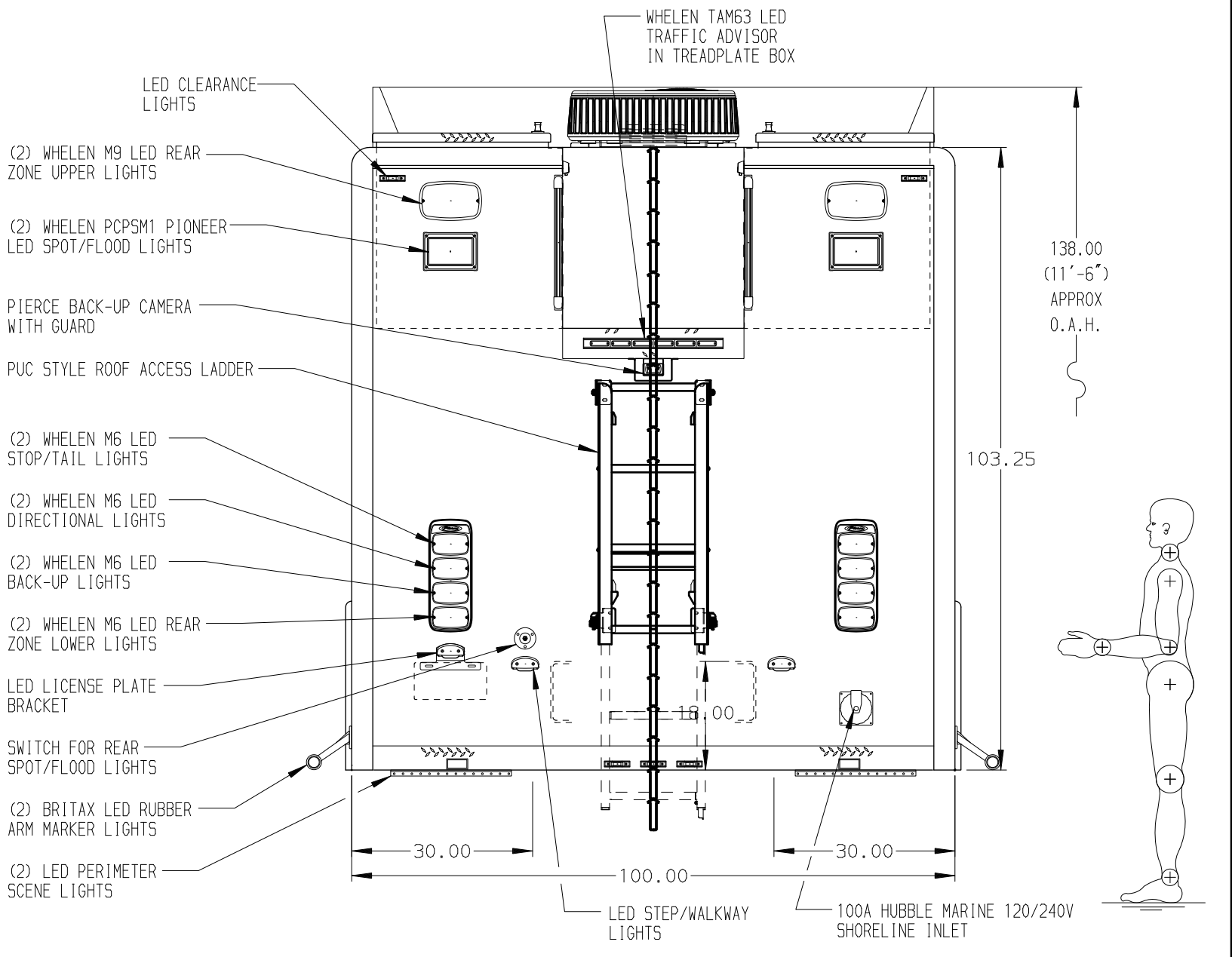


- RIGHT SIDE COMPARTMENTS CONTAIN THE FOLLOWING:**
- COMPARTMENT RS1 CONTAINS:
    - (1) VERTICAL COMPARTMENT DIVIDER
    - (2) 1/2 DEPTH ADJ SLIDE OUT TRAYS
    - (1) 1/2 DEPTH FLOOR MTD SLIDE OUT TRAY WITH TOOLBOARD
    - (1) STD DEPTH FLOOR MOUNTED TRAY
    - (1) 15/20A, 120V DUPLEX RECEPTACLE
  - COMPARTMENT RS2 CONTAINS:
    - (2) 1/2 DEPTH ADJ SLIDE OUT TRAYS
    - (1) 15/20A, 120V DUPLEX RECEPTACLE
  - COMPARTMENT RS3 CONTAINS:
    - (1) HORIZONTAL FLOOR EXTENSION
    - (1) VERTICAL COMPARTMENT DIVIDER
    - (2) SPECIAL DEPTH ADJ SHELVES
    - (1) STD DEPTH FLOOR MOUNTED TRAY
    - (2) 2-WAY SLIDEMASTER TRAYS WITH TOOLBOARDS
    - (2) SCBA BRACKETS ON TOOLBOARD
    - (1) LED MONITOR MTD ON TOOLBOARD
  - COMPARTMENT RS4 CONTAINS:
    - (2) STD DEPTH ADJ SHELVES
    - (1) STD DEPTH FLOOR MOUNTED TRAY
  - COMPARTMENT RS5 CONTAINS:



- LEFT SIDE COMPARTMENTS CONTAIN THE FOLLOWING:**
- COMPARTMENT LS1 CONTAINS:
    - (1) 1/2 DEPTH ADJ SHELF
    - (1) 1/2 DEPTH FLOOR MTD SLIDE OUT TRAY
    - (1) STD DEPTH FLOOR MOUNTED TRAY
  - COMPARTMENT LS2 CONTAINS:
    - (2) 1/2 DEPTH ADJ SLIDE OUT TRAYS
    - (1) 15/20A, 120V DUPLEX RECEPTACLE
  - COMPARTMENT LS3 CONTAINS:
    - (1) HORIZONTAL FLOOR EXTENSION
    - (1) VERTICAL COMPARTMENT DIVIDER
    - (2) SPECIAL DEPTH ADJ SHELVES
    - (1) STD DEPTH FLOOR MOUNTED TRAY
    - (2) 2-WAY SLIDEMASTER TRAYS WITH TOOLBOARDS
    - (2) SCBA BRACKETS ON TOOLBOARD
  - COMPARTMENT LS4 CONTAINS:
  - COMPARTMENT LS5 CONTAINS:
    - (2) PROGRESSIVE DYNAMICS PD2180 CHARGERS
  - COMPARTMENT LS6 CONTAINS:
    - (1) ADJUSTABLE SHELF



**NOTE**  
DIMENSIONS SHOWN ARE APPROXIMATE AND ARE SUBJECT TO MINOR DEVIATIONS AS MAY OCCUR OR BE NECESSARY IN CONSTRUCTION. MINOR DETAILS NOT SHOWN.

- NOTES:**
- AIR INLET/OUTLET WITH DISCONNECT COUPLING LOCATED IN DRIVER'S SIDE STEP WELL OF CAB
  - FLOOR IN CAB AND COMMAND CAB TO BE PADDED RUBBER
  - S/S GUARDS ON ALL BODY ROLL-UP DOORS
  - PIERCE LED LIGHT STRIPS IN ALL BODY AND HATCH COMPARTMENTS
  - TURTLE TILE MATTING ON ALL SHELVES AND TRAYS
  - TURTLE TILE MATTING IN LS2/RS2, LS3/RS3 AND BODY HATCH COMPARTMENT FLOORS
  - POLISHED S/S SCUFFPLATES ON CAB AND COMMAND CAB DOOR JAMBS
  - DAVID CLARK 5-POSITION INTERCOM SYSTEM

MAXIMUM O.A.H. 11'-11"  
MAXIMUM O.A.L. 41'-0"

**CLEAR DOOR WIDTH KEY**

AMDR ROLL UP DOORS:	-2 1/4"
CURTAIN ROLL UP DOORS:	-2 1/2"
PIERCE DOUBLE LAP DOORS:	-4 1/4"
PIERCE LIFT-UP LAP DOORS:	-1 1/2"

(EX: 60" F-F - 2 1/4" = 57 3/4" CLEAR)  
(F-F) = FRAME TO FRAME

<b>CUSTOMER APPROVAL</b>		<b>Pierce MANUFACTURING INC.</b>		JOB NO.	35532
APPROVED BY:				SCALE	1:24
DATE:				DATE	
TITLE	HEAVY DUTY RESCUE WALKIN/NON-WALKIN COMBO	DRAWN BY	DHE	DATE	03FEB21
FOR	CITY OF SACRAMENTO SACRAMENTO, CA	CHECKED BY	CDK	DATE	5FEB21
DWG NO.	35532AD-SH1	SHEET SIZE	D	SHEET NO.	1 OF 1