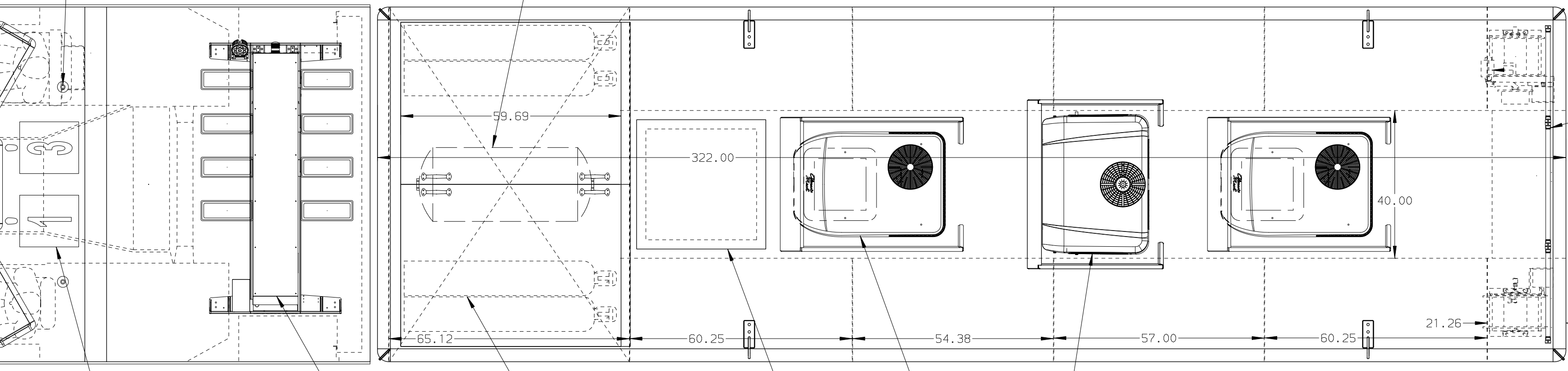
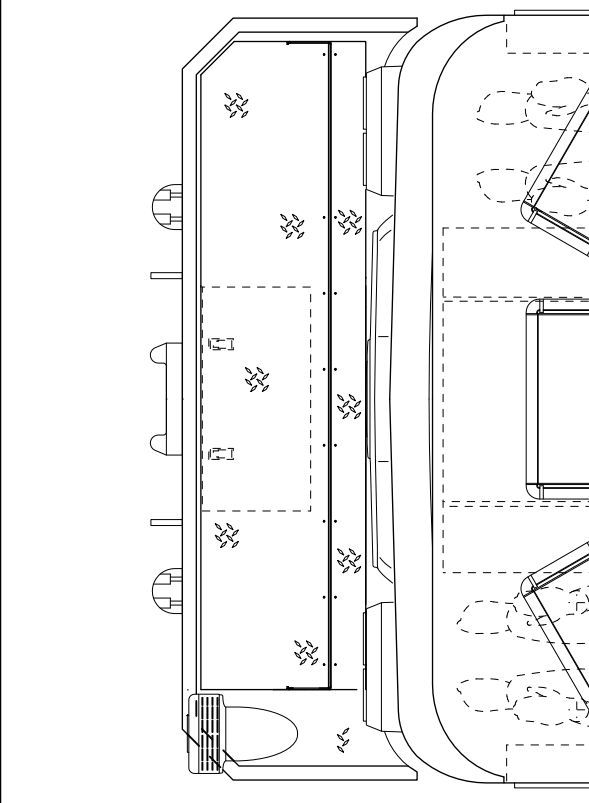
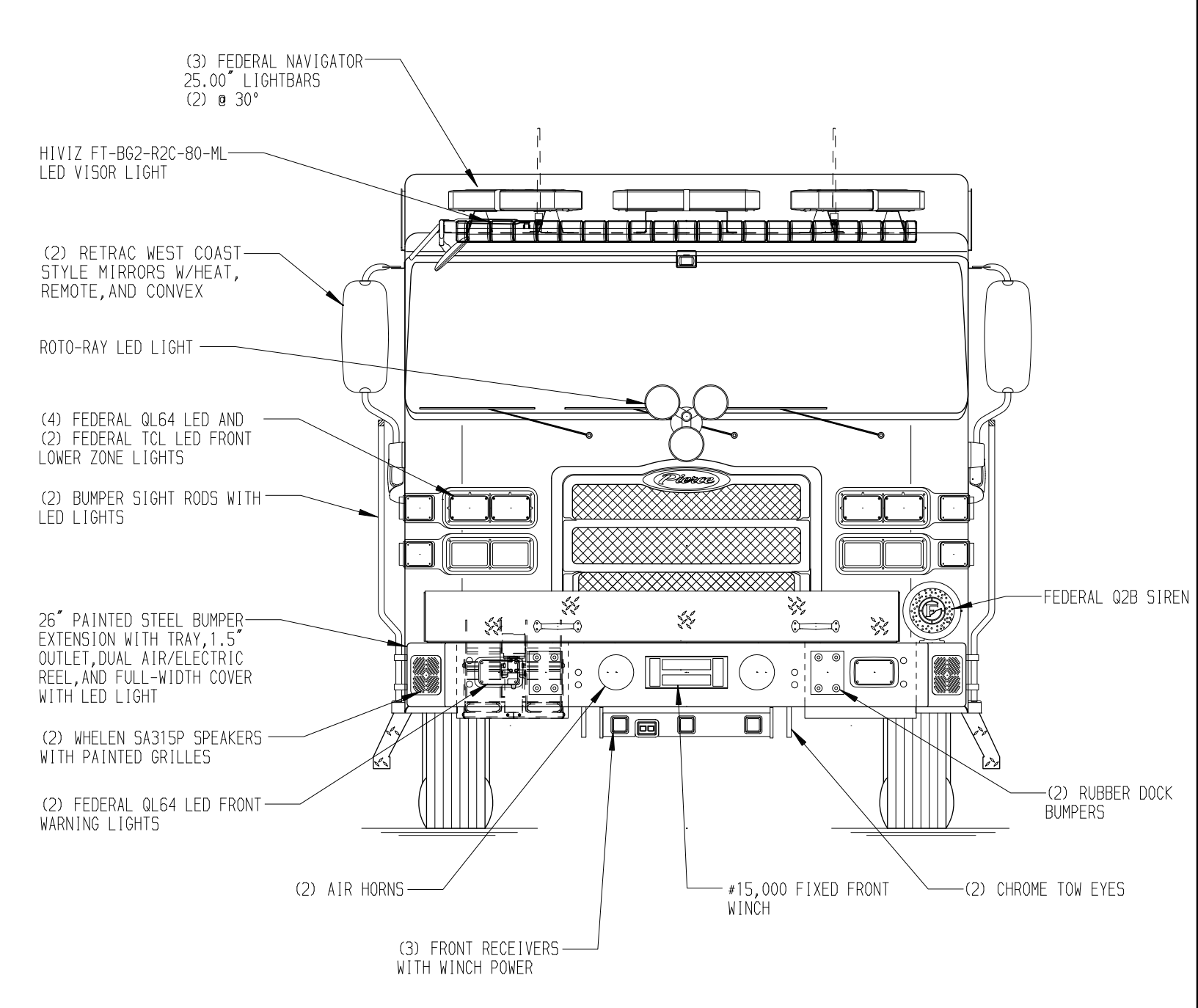
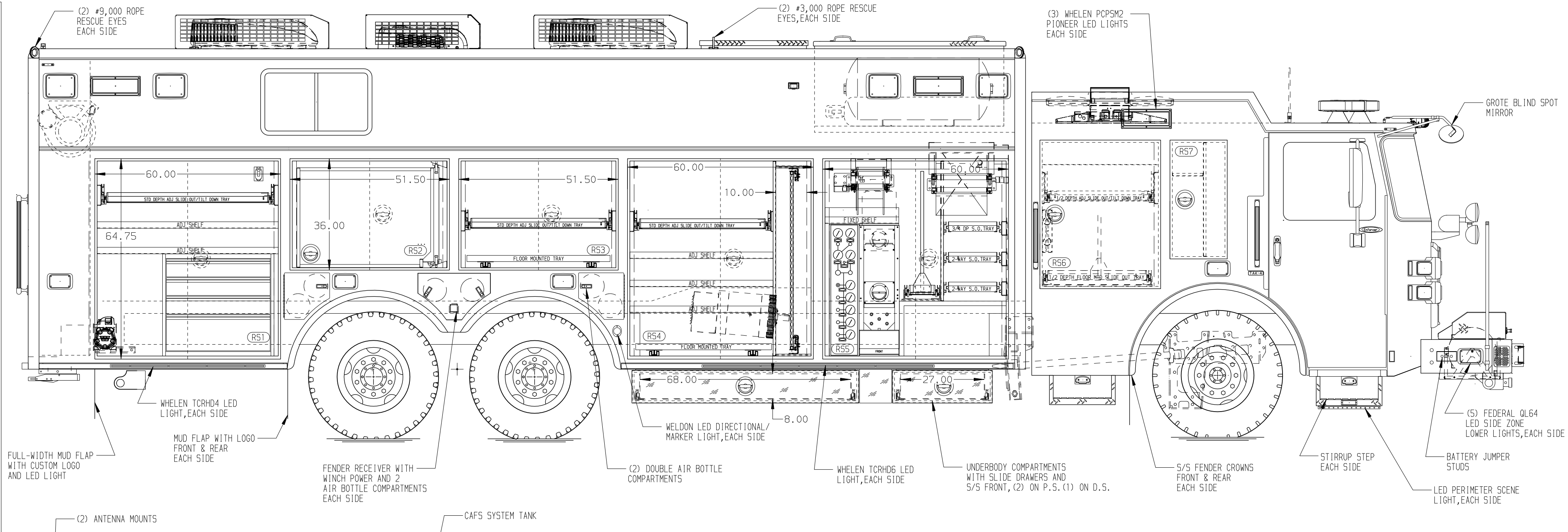
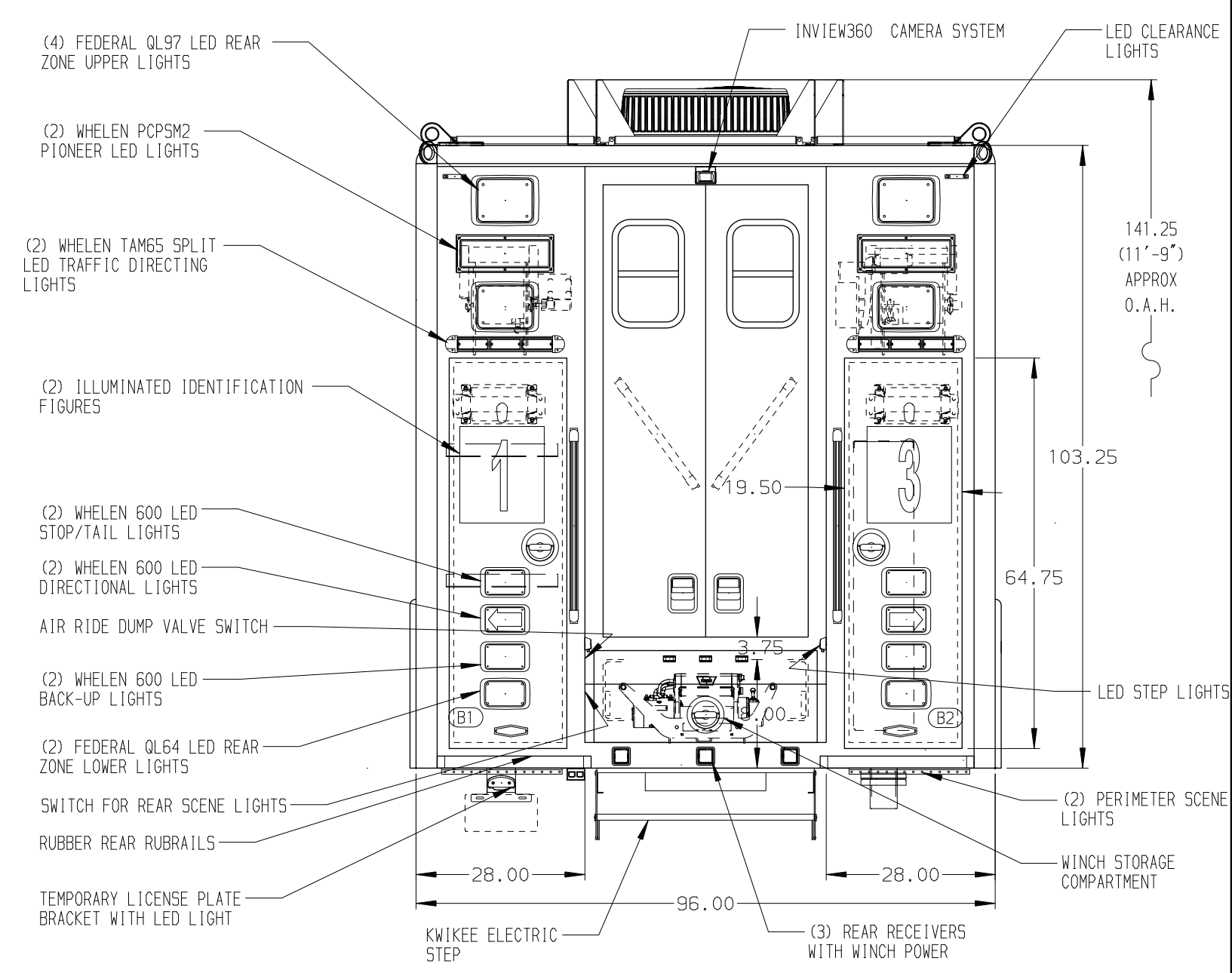


- RIGHT SIDE COMPARTMENTS CONTAIN THE FOLLOWING:**
- COMPARTMENT R51 CONTAINS:
    - (2) STD DEPTH ADJ SHELVES
    - (1) STD DEPTH ADJ SLIDE OUT/TILT TRAY
    - (1) 4-DRAWER G-TECH CABINET
    - (1) 20A, 120V DUPLEX RECEPTACLE
  - COMPARTMENT R52 CONTAINS:
    - (2) SWING OUT TOOLBOARDS WITH NO HOLES
  - COMPARTMENT R53 CONTAINS:
    - (1) STD DEPTH ADJ SLIDE OUT/TILT TRAY
    - (1) STD DEPTH FLOOR MOUNTED TRAY
  - COMPARTMENT R54 CONTAINS:
    - (3) STD DEPTH ADJ SHELVES
    - (1) STD DEPTH ADJ SLIDE OUT/TILT TRAY
    - (1) STD DEPTH FLOOR MOUNTED TRAY
    - (1) STD DEPTH ADJ SLIDE OUT
    - (1) PIVOTING TOOLBOARD
    - (1) VERTICAL COMPARTMENT DIVIDER
  - COMPARTMENT R55 CONTAINS:
    - (2) 2-WAY ADJ SLIDE OUT TRAYS
    - (1) HORIZONTAL FLOOR EXTENSION
    - (1) CASCADE SYSTEM CONTROL PANEL
    - (1) SPACE SAVER 2-BOTTLE FILL ENCLOSURE
    - (1) HIGH PRESSURE AIR REEL W/200' OF HOSE
    - (1) STD DEPTH FIXED SHELF
    - (1) VERTICAL COMPARTMENT DIVIDER
    - (1) 2-WAY FLOOR MTD SLIDE OUT TRAY WITH TOOLBOARD
    - (1) BOOSTER REEL WITH 150' OF 0.75" HOSE
    - (1) 3/4 DEPTH ADJ SLIDE OUT TRAY
  - COMPARTMENT R56 CONTAINS:
    - (1) 1/2 DEPTH FLOOR MOUNTED TRAY WITH TOOLBOARD
    - (1) 1/2 DEPTH ADJ SLIDE OUT/TILT TRAY
    - (1) RACK FOR 2 PIKE POLES
    - (1) 2-WAY ADJ SHELF WITH NO LIP
  - COMPARTMENT R57 CONTAINS:
    - (1) VERTICAL COMPARTMENT DIVIDER
    - (1) HORIZONTAL COMPARTMENT DIVIDER



- LEFT SIDE COMPARTMENTS CONTAIN THE FOLLOWING:**
- COMPARTMENT L51 CONTAINS:
    - (3) STD DEPTH ADJ SHELVES
    - (1) STD DEPTH ADJ SLIDE OUT/TILT TRAY
    - (1) STD DEPTH FLOOR MOUNTED TRAY
    - (1) VERTICAL COMPARTMENT DIVIDER
  - COMPARTMENT L52 CONTAINS:
    - (1) STD DEPTH ADJ SLIDE OUT/TILT TRAY
    - (1) STD DEPTH FLOOR MOUNTED TRAY
  - COMPARTMENT L53 CONTAINS:
    - (1) STD DEPTH ADJ SHELF
    - (1) CARGO RETENTION NETTING
  - COMPARTMENT L54 CONTAINS:
    - (2) STD DEPTH ADJ SHELVES
    - (1) STD DEPTH ADJ SLIDE OUT/TILT TRAY
    - (1) STD DEPTH FLOOR MOUNTED TRAY
    - (1) 20A, 120V DUPLEX RECEPTACLE
  - COMPARTMENT L55 CONTAINS:
    - (1) FLOOR MOUNTED TRAY W/SIDE SLIDES
    - (1) VERTICAL COMPARTMENT DIVIDER
    - (1) HORIZONTAL FLOOR EXTENSION
    - (1) 2-DRAWER G-TECH CABINET
    - (1) 2-WAY FLOOR MTD SLIDE OUT TRAY WITH TOOLBOARD
    - (2) 3/4 DEPTH FLOOR MTD SLIDE OUT TRAYS
    - (1) 20A, 120V DUPLEX RECEPTACLE
    - (2) 2-WAY ADJ SLIDE OUT TRAYS
    - (1) CIRCUIT BREAKER PANEL
    - (1) GENERATOR METER PANEL
  - COMPARTMENT L56 CONTAINS:
    - (1) 1/2 DEPTH FLOOR MOUNTED TRAY
    - (1) 1/2 DEPTH ADJ SLIDE OUT/TILT TRAY
    - (1) RACK FOR 2 PIKE POLES
    - (1) KUSSMAUL T200 CHARGER
    - (1) COMMAND LIGHT CONTROLLER
    - (1) 2-WAY ADJ SHELF WITH NO LIP
  - COMPARTMENT L57 CONTAINS:
    - (1) VERTICAL COMPARTMENT DIVIDER
    - (1) HORIZONTAL COMPARTMENT DIVIDER

- REAR COMPARTMENT CONTAINS THE FOLLOWING:**
- COMPARTMENT B1 CONTAINS:
    - (2) SPECIAL DEPTH ADJ SHELVES
    - (1) LOW PRESSURE AIR REEL W/200' OF HOSE
  - COMPARTMENT B2 CONTAINS:
    - (1) OIL DRY HOPPER
    - (1) MOUNTING PLATE ON RIGHT WALL
    - (1) ELECTRIC CORD REEL WITH 200' OF 10/3 YELLOW CORD



**NOTE**  
DIMENSIONS SHOWN ARE APPROXIMATE AND ARE SUBJECT TO MINOR DEVIATIONS AS MAY OCCUR OR BE NECESSARY IN CONSTRUCTION. MINOR DETAILS NOT SHOWN.

- NOTES:**
- ONAN 30kW SINGLE PHASE PTO DRIVEN GENERATOR LOCATED BETWEEN THE FRAME RAILS
  - AIR INLET WITH DISCONNECT COUPLING LOCATED IN THE DRIVER'S SIDE STEP WELL OF CAB
  - POLISHED 5/5 SOUPPLATES ON CAB DOORS
  - FLOOR IN CAB TO BE PADDED RUBBER
  - FIRECOM 52000 INTERCOM SYSTEM
  - BATTERY CHARGE INDICATOR LOCATED ON DRIVER'S SEAT RISER
  - AMOR LED LIGHTS IN ALL EXTERIOR BODY COMPARTMENTS

**NOTE:**  
LAP DOORS HAVE BEEN SHOWN IN HIDDEN LINES TO CLEARLY IDENTIFY THE EQUIPMENT IN EACH COMPARTMENT. DASHED LINES ON SIDES ARE DOORS IN OPEN POSITION

CLEAR DOOR WIDTH KEY		REV	DATE	BY	CH	EN6000
AMOR ROLL UP DOORS:	-2 1/4"	08JUL21	DHE	CDK	CHASSIS DATA	
CORTITE ROLL UP DOORS:	-2 1/2"	01JUN21	DHE	CDK	MAKE	
PIERCE DOUBLE LAP DOORS:	-4 1/4"	12APR21	DHE	CDK	PIERCE	
PIERCE LIFT-UP LAP DOORS:	-1 1/2"	06APR21	DHE	CDK	PIERCE	
(EX: 60" F-F - 2 1/4" = 57 3/4" CLEAR)		05APR21	DHE	CDK	MODEL	
(F-F) = FRAME TO FRAME						

		JOB NO.	35525
		SCALE	1:24
TITLE	HEAVY DUTY RESCUE WALKIN	DRAWN BY	DHE
FOR	DUNCAN FIRE DEPARTMENT BID #523	CHECKED BY	AZU
DWG NO.	35525AD-SH1	SHEET SIZE	D
		DATE	12JAN21
		DATE	18JAN21
		SHEET NO.	1 OF 1