

Pumper, PUC
BODY

Pumper, PUC, Aluminum

CHASSIS

Enforcer Chassis, PUC

CHASSIS
AXLE, FRONT, CUSTOM

20,000 Lb Dana Axle

AXLE, REAR

27,000 Lb Dana Axle

ENGINE

450 HP Cummins L9 Engine

TRANSMISSION

Allison 5th Gen, 3000 EVS P

BUMPER

22" Extended Stainless Steel

CAB

7010 Enforcer Cab, PUC

BODY

WATER TANK

750 Gallon Poly Water Tank

COMPT, PUMPER, REAR

33.50" FF RollUp Rear Compt w/Tailboard, PUC

COMPT, PUMPER, LEFT SIDE

189" RollUp Full Height & Depth Front & Rear, PUC

COMPT, PUMPER, RIGHT SIDE

189" RollUp Full Height & Depth Front & Rear, PUC

FIRE SUPPRESSION
PUMPHOUSE

Control Zone, PUC

PUMP

1500 GPM Pierce PUC

CROSSLAYS, 1.50"

(2) 1.50", Poly Trays, 200"

CROSSLAYS, 2.50"

(1) 2.50", Poly Tray, 200"

GENERATOR

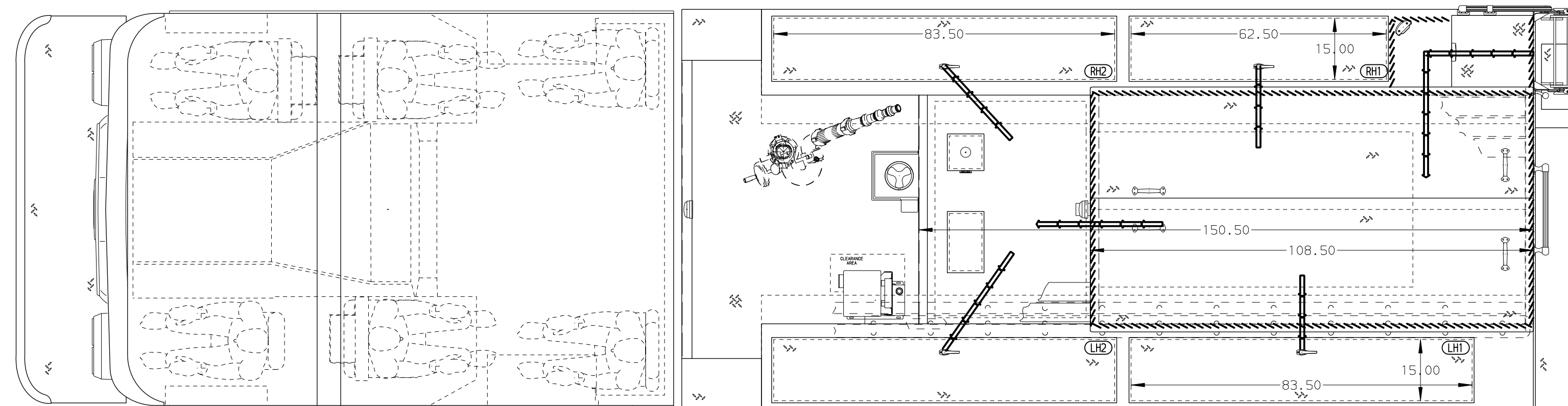
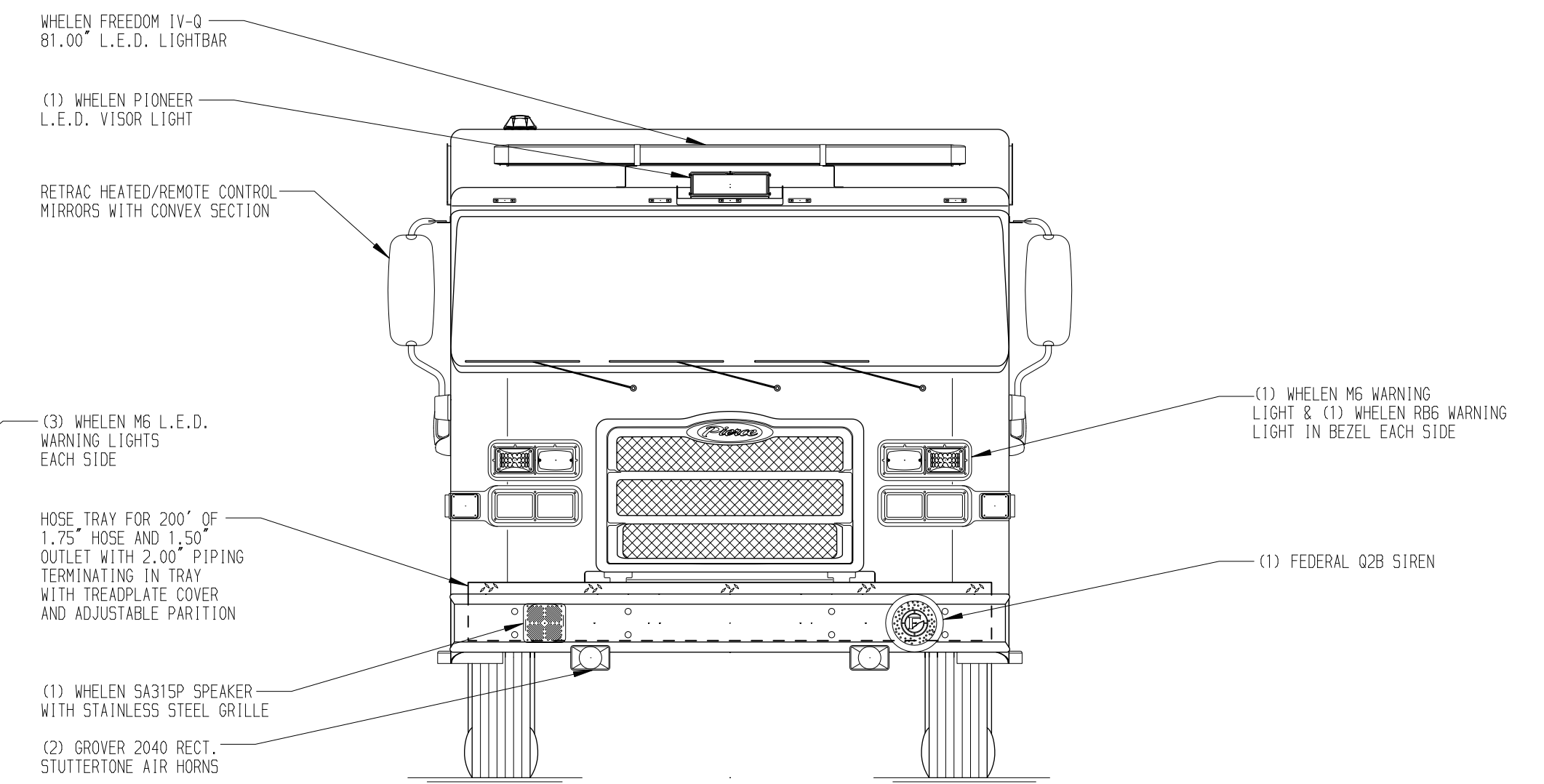
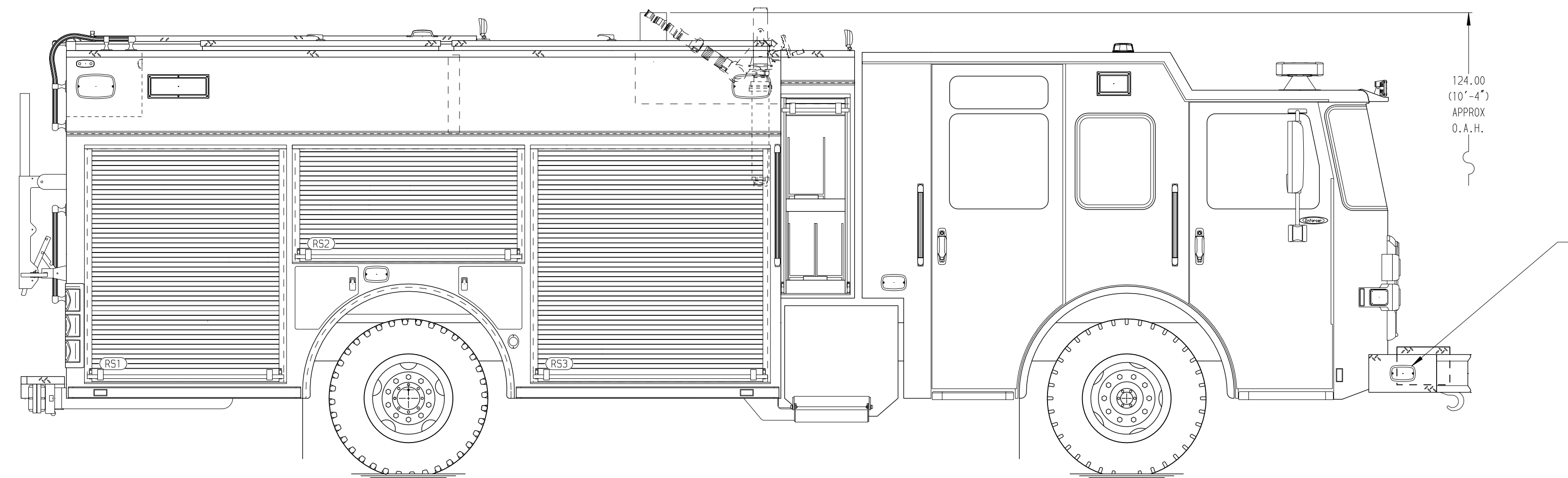
Generator Not Required

Foam System

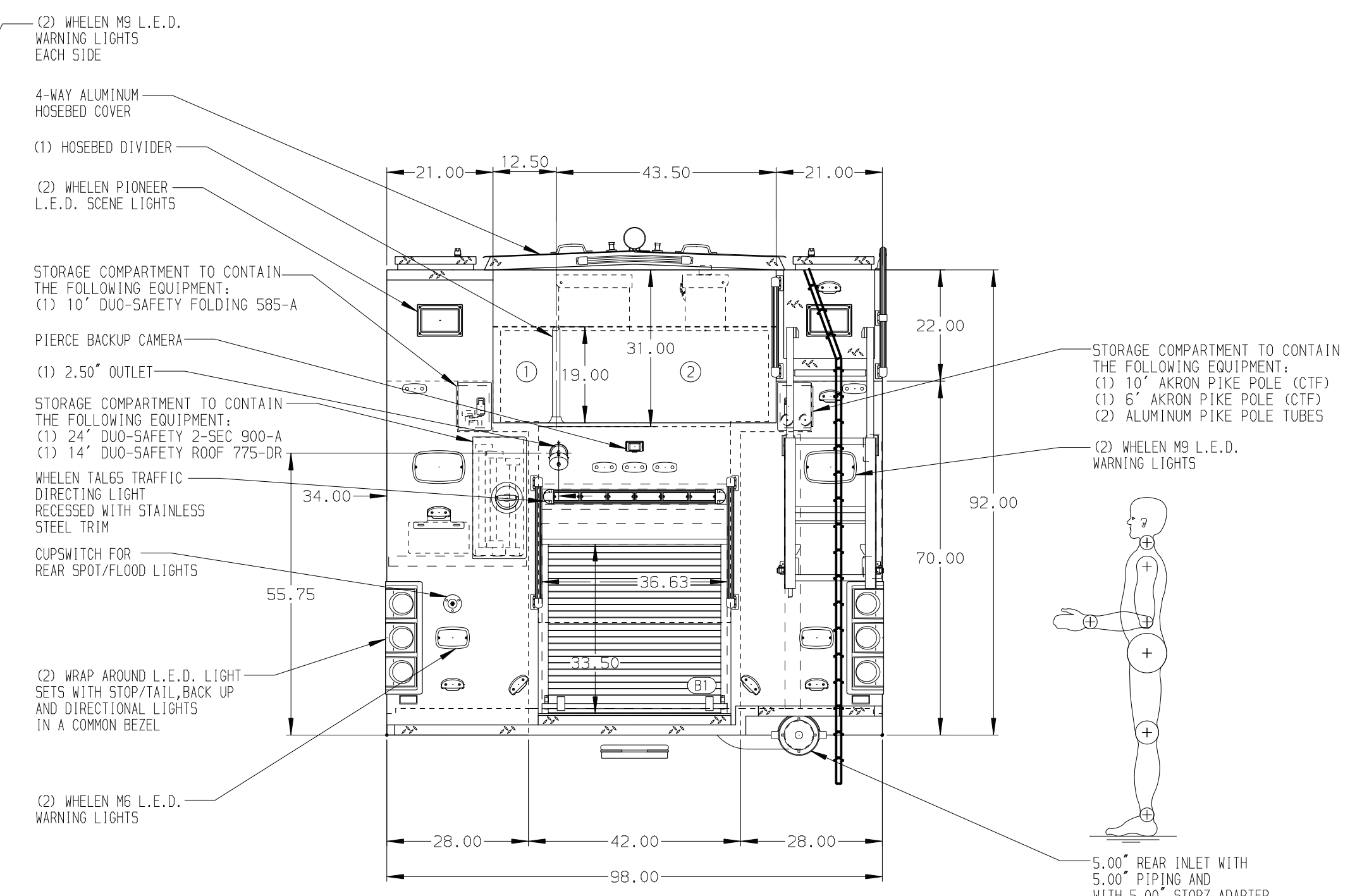
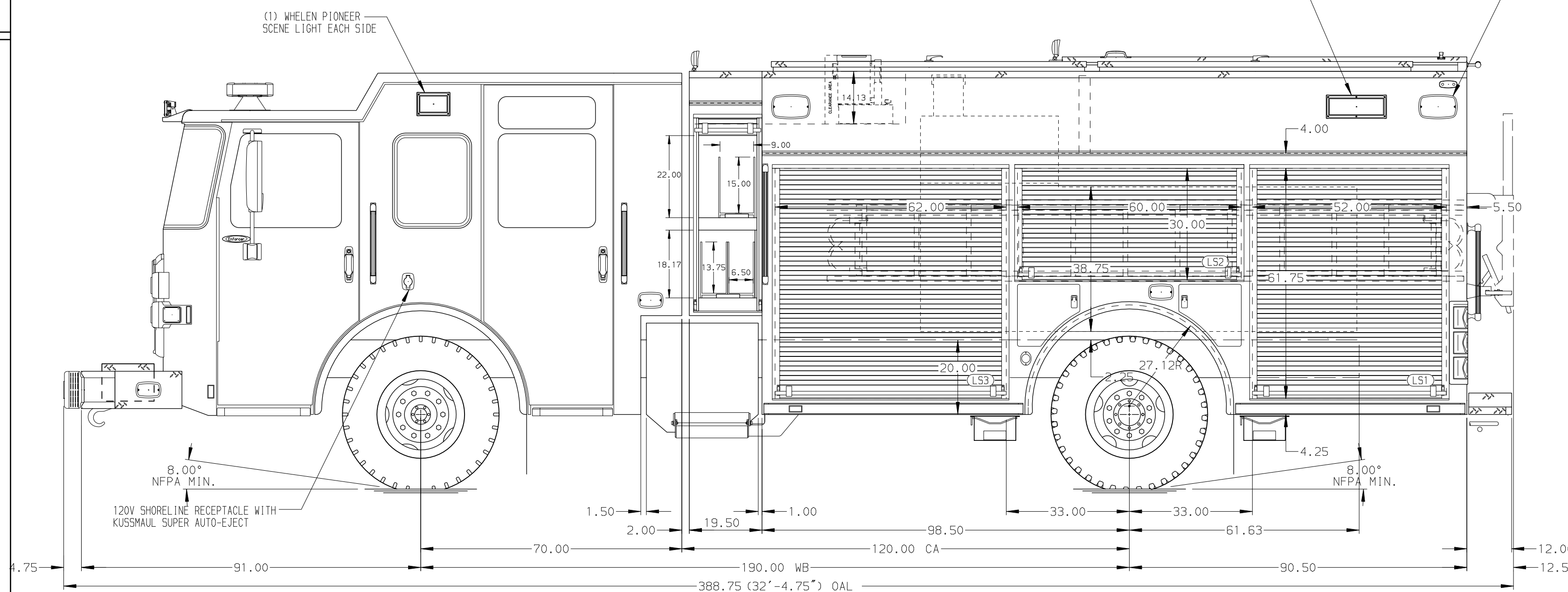
Husky 3 Single Agent Foam System

Foam Cell

25 Gallon Foam Cell, Not Reduced Water, PUC



- HOSEBED CAPACITIES**
- ① 400' OF 3.00" D.J. POLY HOSE
 - ② 1000' OF 5.00" D.J. POLY HOSE



NOTE
DIMENSIONS SHOWN ARE APPROXIMATE AND ARE SUBJECT TO MINOR DEVIATIONS AS MAY OCCUR OR BE NECESSARY IN CONSTRUCTION. MINOR DETAILS NOT SHOWN.

1. ROSCO WINDSHIELD MOUNTED CAMERA SYSTEM WITH DVR
2. BATTERY CHARGER LOCATED BEHIND DRIVER'S SEAT
3. BATTERY CHARGER INDICATOR LOCATED ON DRIVER'S SEAT RISER
4. EIGHT ADJUSTABLE SHELVES LOCATED PER SHOP ORDER
5. THREE ADJUSTABLE TILTING SLIDE-OUT TRAYS LOCATED PER SHOP ORDER
6. THREE FLOOR MOUNTED SLIDE-OUT TRAYS LOCATED PER SHOP ORDER

REV	DATE	BY	CH	ENFORCER
1	16NOV20	MMF	JGO	PIERCE
2	21OCT20	COL	JGO	MODEL

		JOB NO.	35522
		SCALE	DATE
TITLE	PIERCE PUC PUMPER APPROVAL DRAWING	DRAWN BY	COL
FOR	JAMES ISLAND PUBLIC SERVICE DISTRICT CHARLESTON, SOUTH CAROLINA	CHECKED BY	NPE
DWG NO.	35522AD	SHEET SIZE	SHEET NO.
		D	1 OF 1