

PUMPER BODY

Medium Aluminum 2nd Gen Pumper

CHASSIS

Sober FR Chassis

CHASSIS AXLE, FRONT, CUSTOM
18,000 Lb Dana Axle

AXLE, REAR
27,000 Lb Dana Axle

ENGINE
380 HP Cummins L9 Engine

TRANSMISSION
Allison 5th Gen, 3000 EVS P

BUMPER
19" Extended, Under Slung

CAB
7010 Sober FR Cab

BODY WATER TANK
1000 Gallon Poly Water Tank

COMPT, PUMPER, REAR
51.25" FF RollUp Rear Compt

COMPT, PUMPER, LEFT SIDE
152" RollUp Full Height Front & Rear FDLR

COMPT, PUMPER, RIGHT SIDE
152" RollUp Full Height Front & Rear FDLR

FIRE SUPPRESSION PUMPHOUSE

45" Control Zone Side Mount

PUMP

1500 GPM Waterous CXC20

CROSSLAYS, 1.50"
1.50" Crosslays Not Required

CROSSLAYS, 2.50"
2.50" Crosslay Not Required

SPEEDLAYS

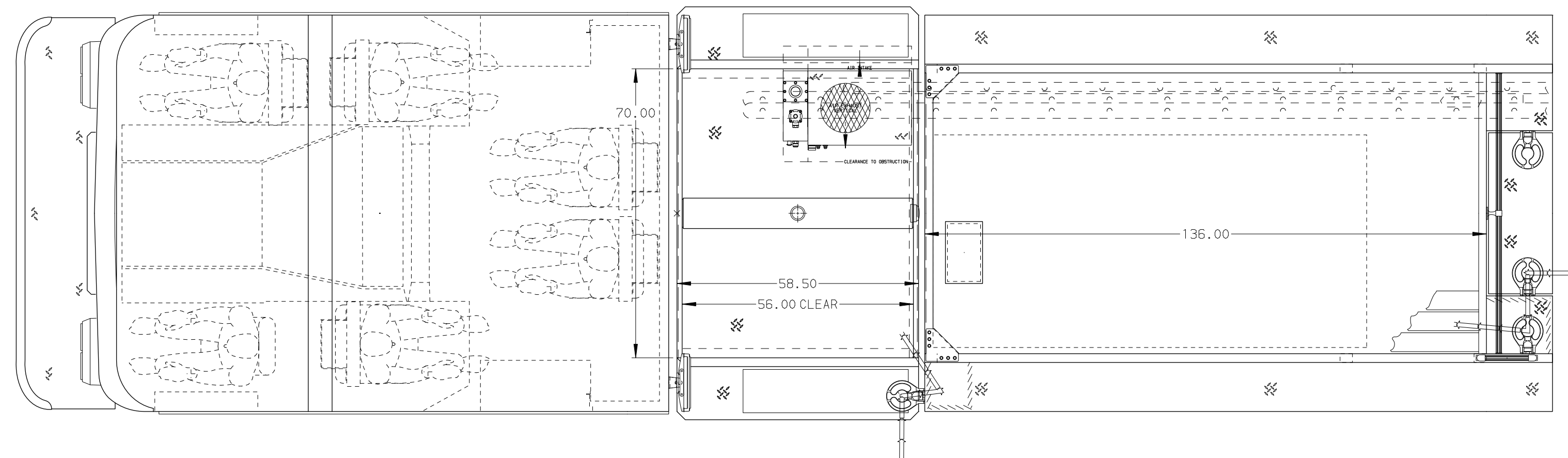
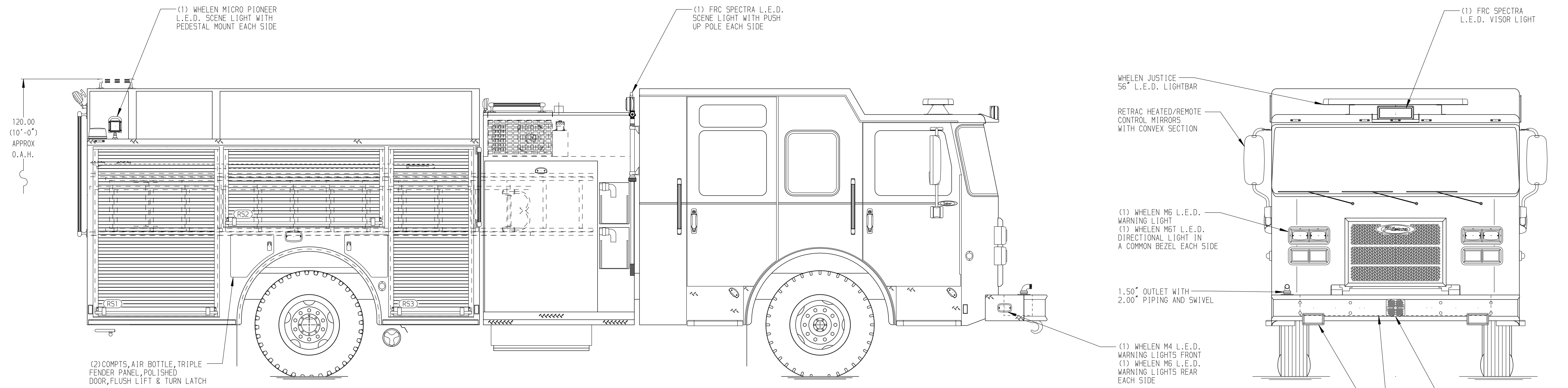
(2) 1.50" W/Troy Std. Capacity

GENERATOR

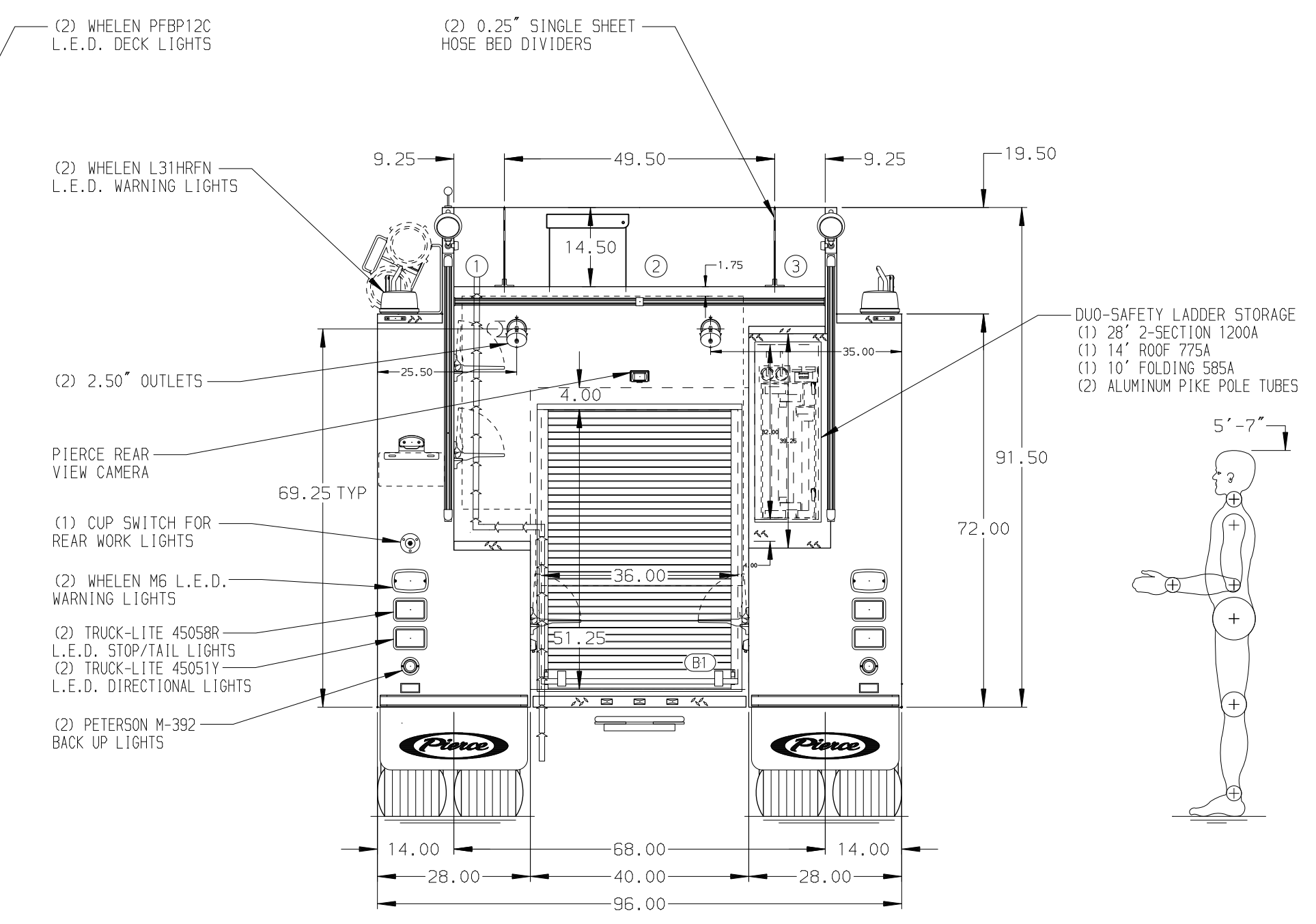
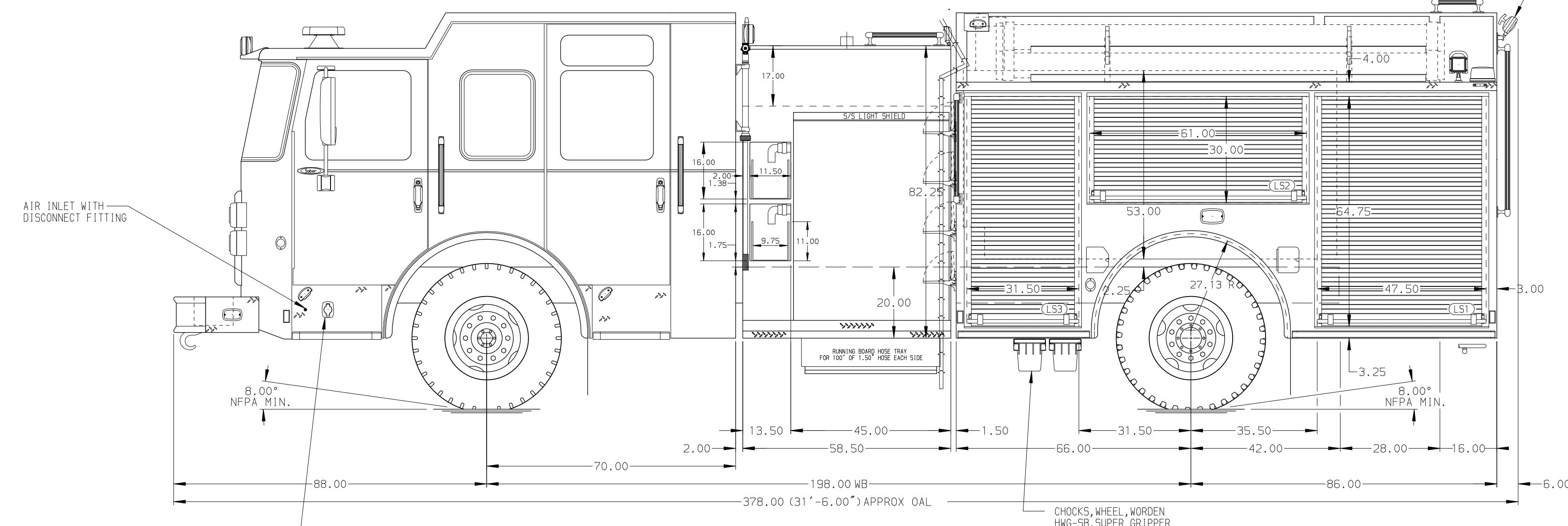
Harrison 6kW MAS Hydraulic Generator

Foam System
Foam System Not Required

Foam Cell
Foam Cell Not Required



HOSEBED CAPACITY	
BED 1	250' OF 2.50" D.J. POLY HOSE
BED 2	1000' OF 5.00" D.J. POLY HOSE
BED 3	250' OF 2.50" D.J. POLY HOSE



NOTE
DIMENSIONS SHOWN ARE APPROXIMATE AND ARE SUBJECT TO MINOR DEVIATIONS AS MAY OCCUR OR BE NECESSARY IN CONSTRUCTION. MINOR DETAILS NOT SHOWN.

REV	DATE	BY	CH	SABER FR
15SEP20	JLA	DDR		
25AUG20	JLA	DDR		

		TITLE	Pierce Pumper Approval Drawing	JOB NO.	35511
		FOR	Tamah VA Medical Center	SCALE	1:24 DATE
CHASSIS DATA		DWG NO.	35511AD	DRAWN BY	COL 13JUL20
MAKE				CHECKED BY	NPE 14JUL20
MODEL				SHEET SIZE	SHEET NO.
SABER FR				D	1 OF 1