

RIGHT SIDE COMPARTMENTS CONTAIN THE FOLLOWING:

COMPARTMENT RS1 CONTAINS:

- (1) STD DEPTH ADJ SLIDE OUT/TILT TRAY
- (1) FLOOR MOUNTED TRAY WITH SIDE SLIDES
- (1) 15/20A, 120V DUPLEX RECEPTACLE

COMPARTMENT RS2 CONTAINS:

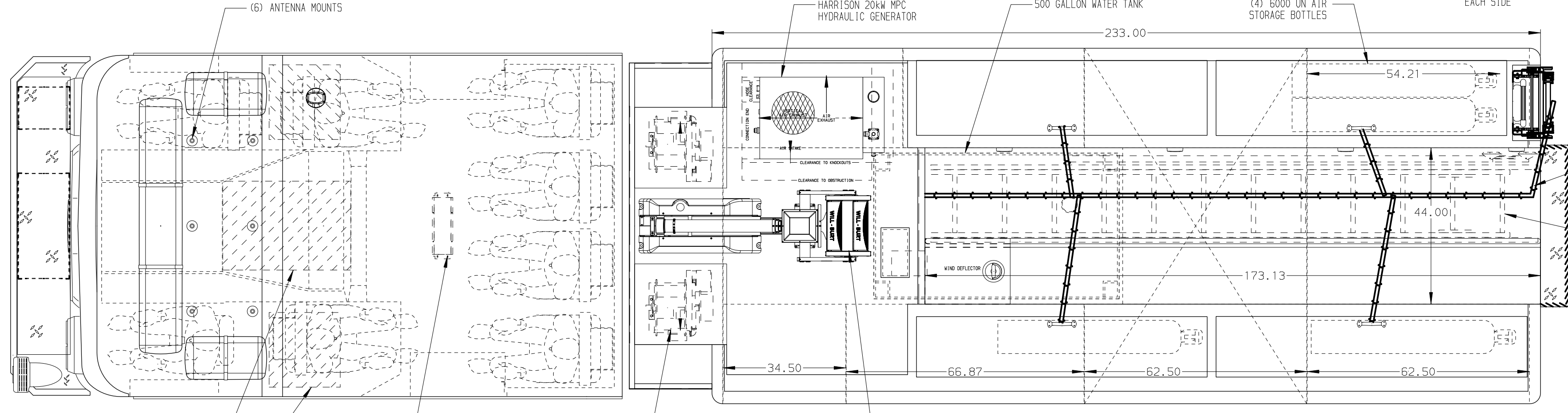
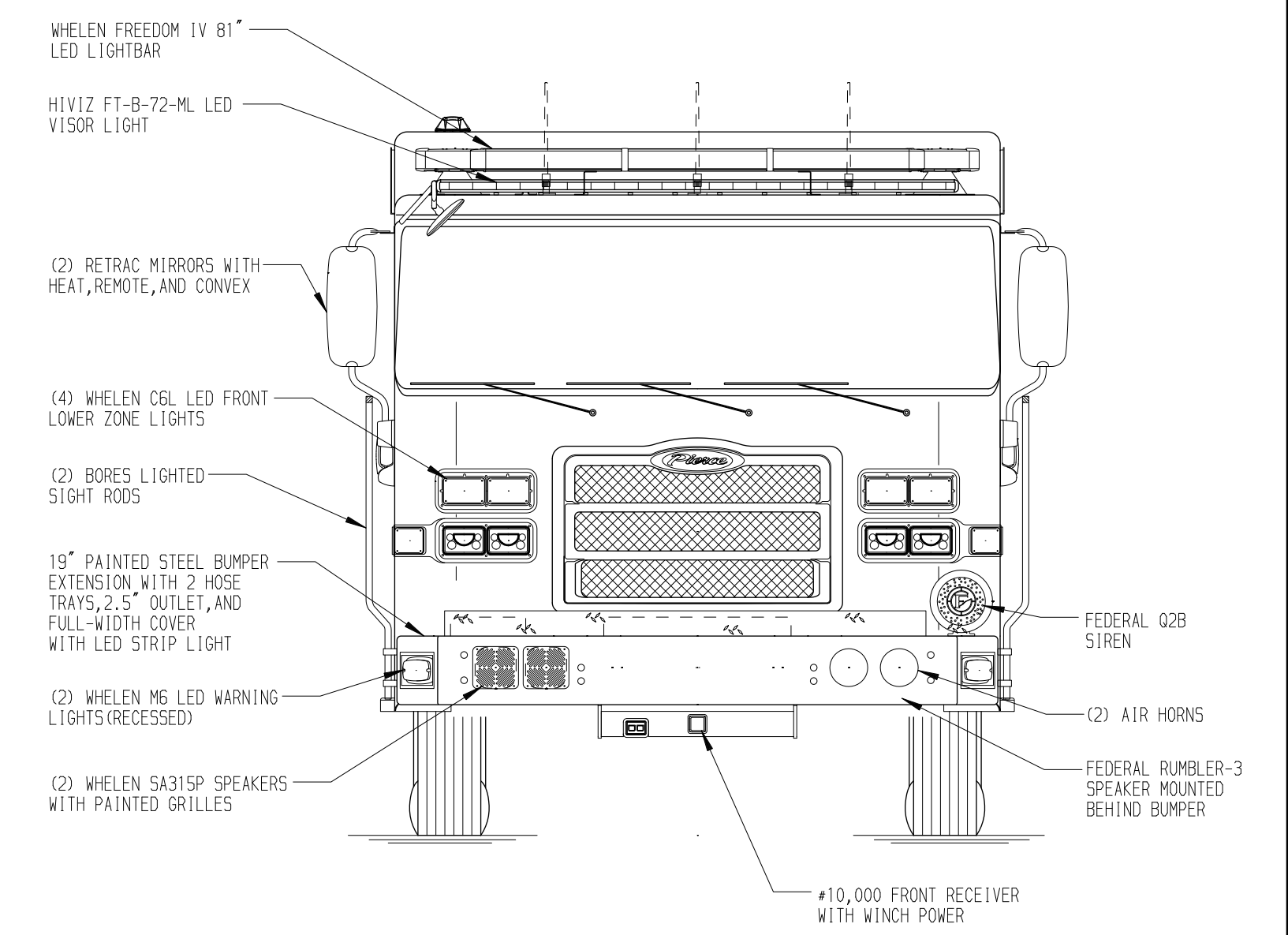
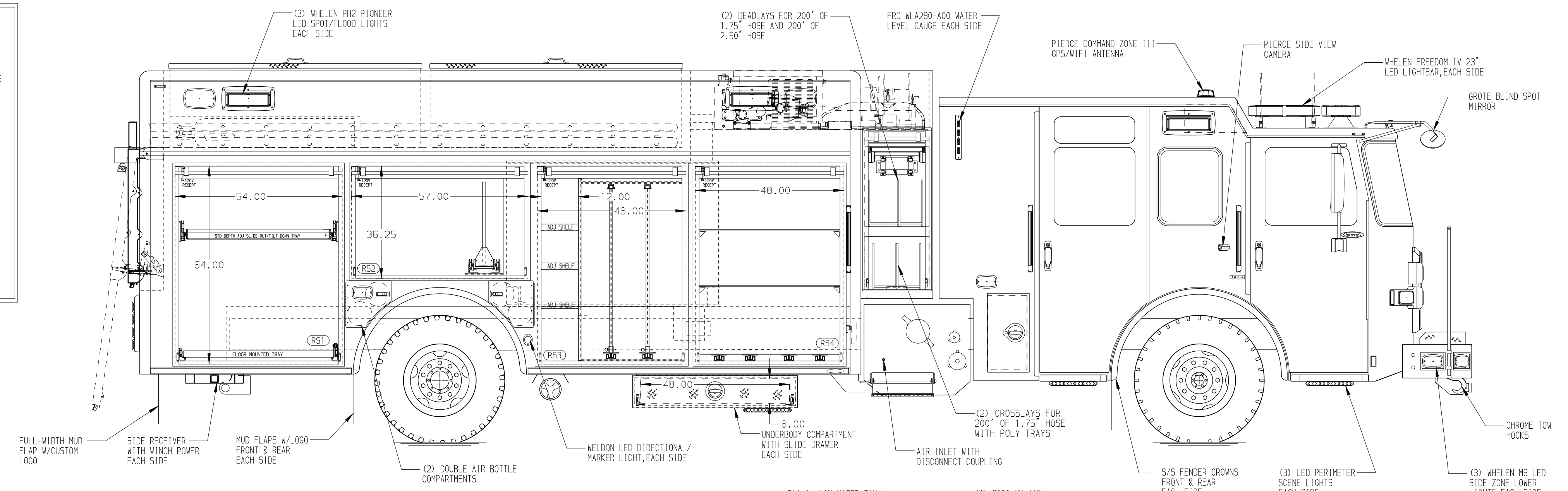
- (1) 2-WAY ADJ SLIDE OUT TOOLBOARD
- (1) 15/20A, 120V DUPLEX RECEPTACLE

COMPARTMENT RS3 CONTAINS:

- (1) VERTICAL COMPARTMENT DIVIDER
- (3) STD DEPTH ADJ SHELVES
- (2) STD DEPTH SLIDE OUT TOOLBOARDS
- (1) 15/20A, 120V DUPLEX RECEPTACLE

COMPARTMENT RS4 CONTAINS:

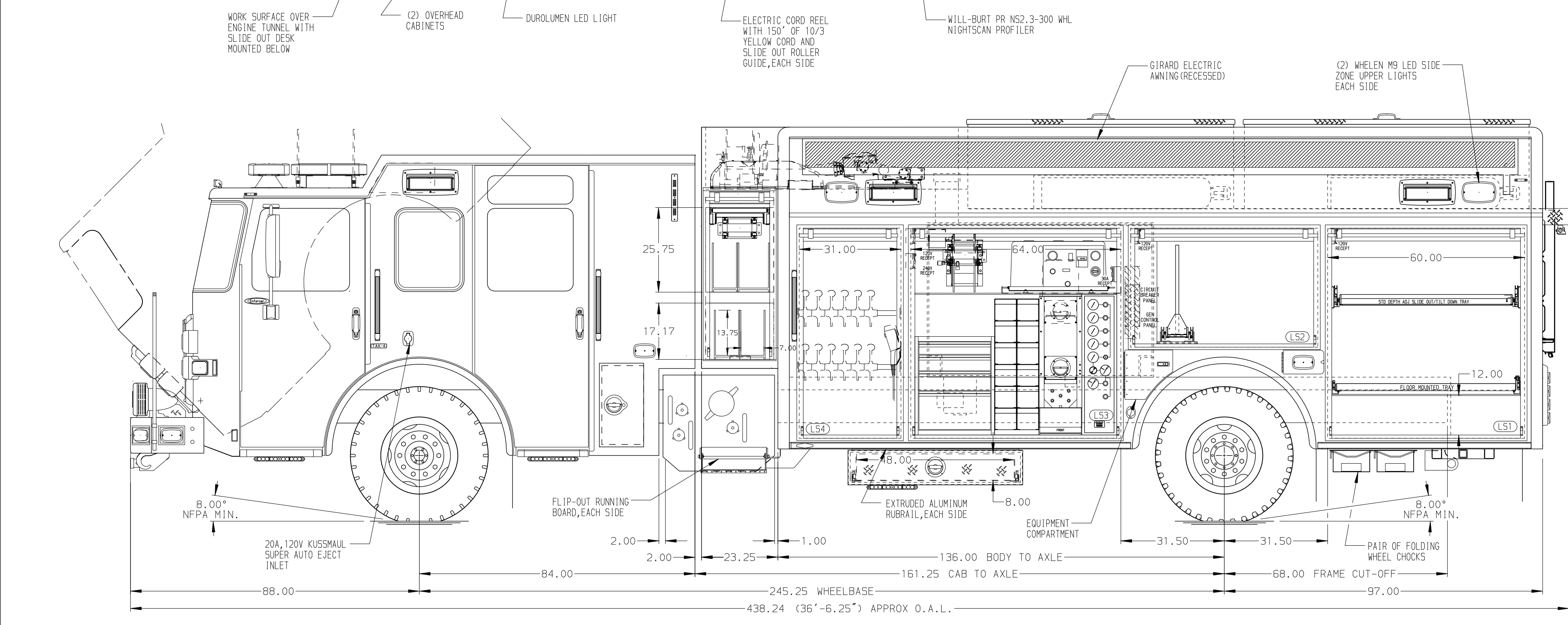
- (1) CAB LIFT CONTROLLER
- (2) FLAT TOP FLOOR MOUNTED TRAYS
- (2) STD DEPTH FLAT TOP SHELVES
- (1) 15/20A, 120V DUPLEX RECEPTACLE



REAR COMPARTMENT CONTAINS THE FOLLOWING:

COMPARTMENT B1 CONTAINS:

- (1) 58\"/>



LEFT SIDE COMPARTMENTS CONTAIN THE FOLLOWING:

COMPARTMENT LS1 CONTAINS:

- (1) STD DEPTH ADJ SLIDE OUT/TILT TRAY
- (1) FLOOR MOUNTED TRAY WITH SIDE SLIDES
- (1) 3/8\"/>

COMPARTMENT LS2 CONTAINS:

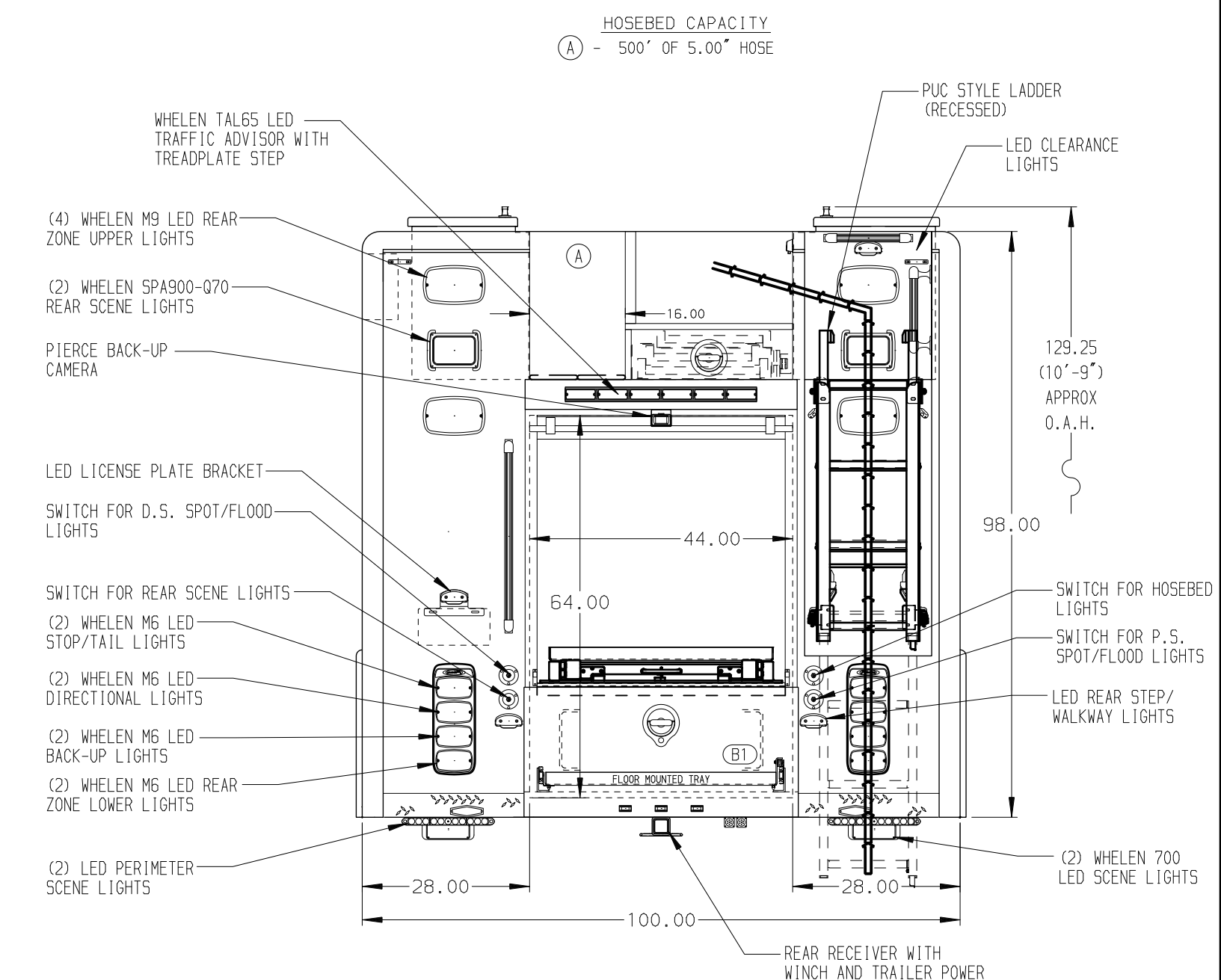
- (1) 2-WAY ADJ SLIDE OUT TOOLBOARD
- (1) 15/20A, 120V DUPLEX RECEPTACLE
- (1) CIRCUIT BREAKER PANEL
- (1) GENERATOR METER PANEL

COMPARTMENT LS3 CONTAINS:

- (1) 4-DRAWER C-TECH CABINET
- (1) 15/20A, 120V DUPLEX RECEPTACLE
- (1) 30A, 240V T.L. RECEPTACLE
- (1) CASCADE SYSTEM CONTROL PANEL
- (1) SPACESAVER 2-BOTTLE FILL ENCLOSURE
- (1) SIERRA BREATHING AIR BOOSTER PUMP WITH 15A, 240V T.L. RECEPTACLE
- (1) 3/8\"/>

COMPARTMENT LS4 CONTAINS:

- (1) NIGHTSCAN CONTROLLER



NOTE

DIMENSIONS SHOWN ARE APPROXIMATE AND ARE SUBJECT TO MINOR DEVIATIONS AS MAY OCCUR OR BE NECESSARY IN CONSTRUCTION. MINOR DETAILS NOT SHOWN.

- NOTES:**
- PIERCE 1500 GPM SINGLE STAGE PUC PUMP
 - WARN ZEON 10-S #10,000 PORTABLE RECEIVER STYLE WINCH
 - POLISHED S/S SCUFFPLATES ON CAB AND CREW CAB DOOR JAMBS
 - FLOOR IN CAB AND CREW CAB TO BE ALUMINUM TREADPLATE
 - KUSSMAUL PUMP PLUS 1200 CHARGER LOCATED BEHIND THE PASSENGER'S SEAT
 - BATTERY CHARGE INDICATOR LOCATED ON DRIVER'S SEAT RISER
 - #9,000 RECEIVER STYLE ROPE ANCHORS
 - PULL STRAPS ON ALL BODY AND CROSSLAY ROLL-UP DOORS
 - S/S GUARDS ON ALL BODY ROLL-UP DOORS
 - PIERCE LED STRIP LIGHTS IN ALL BODY, HATCH COMPARTMENTS, AND HOSEBED
 - TURF TILE ON COMPARTMENT FLOORS IN LS2, RS2, LS4 AND TRAYS IN RS3, RS1, LS1, AND B1
 - (8) FIRE VULCAN STREAM LIGHTS, (1) ABOVE EACH FORWARD FACING SEAT AND (4) SHIPPED LOOSE
 - (4) TECNIO BLUE FLOOR ILLUMINATION LIGHTS IN CREW CAB

MAXIMUM O.A.L. 36'-7"

CLEAR DOOR WIDTH KEY		CHASSIS DATA	
AMOR ROLL UP DOORS	-2 1/4"	21APR21	DHE AZU
CURTILE ROLL UP DOORS	-2 1/2"	08MAR21	DHE AZU
PIERCE DOUBLE LAP DOORS	-4 1/4"	17DEC20	DHE AZU
PIERCE LIFT-UP LAP DOORS	-1 1/2"		
(EX: 60" F-F - 2 1/4" = 57 3/4" CLEAR)		REV	DATE BY CH

		JOB NO.	35474
		SCALE	DATE
TITLE	HEAVY DUTY RESCUE RESCUE PUC W/500 GAL WATER TANK	DRAWN BY	DHE 10DEC20
FOR	TOWNSHIP OF SADDLE BROOK BID #457	CHECKED BY	AZU 10DEC20
DWG NO.	35474AD	SHEET SIZE	SHEET NO.
			1 OF 1