

RIGHT SIDE COMPARTMENTS CONTAIN THE FOLLOWING:

COMPARTMENT RS1 CONTAINS:
 - (2) STD DEPTH ADJ SHELVES
 - (1) FLAT TOP FLOOR MOUNTED TRAY WITH TOOLBOARD

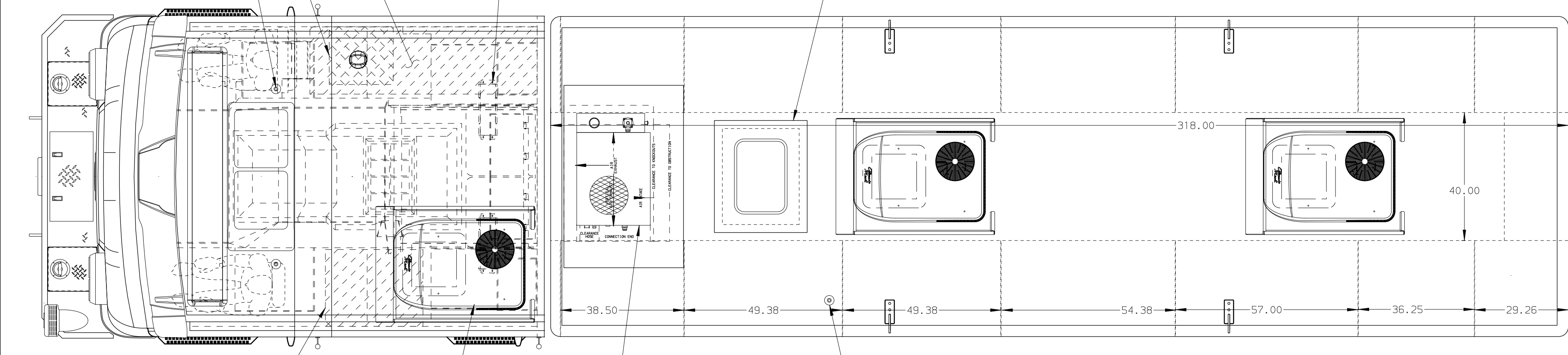
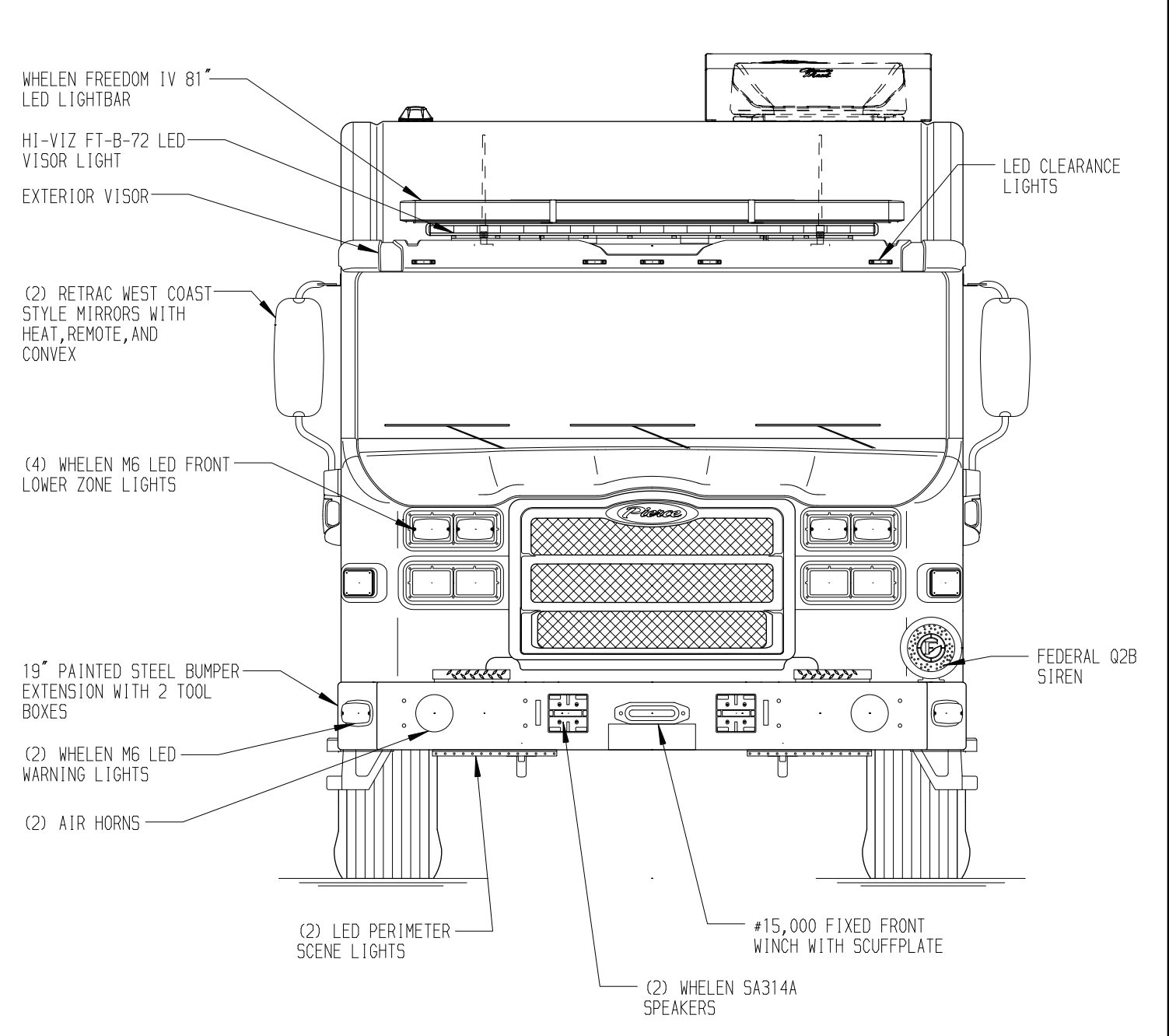
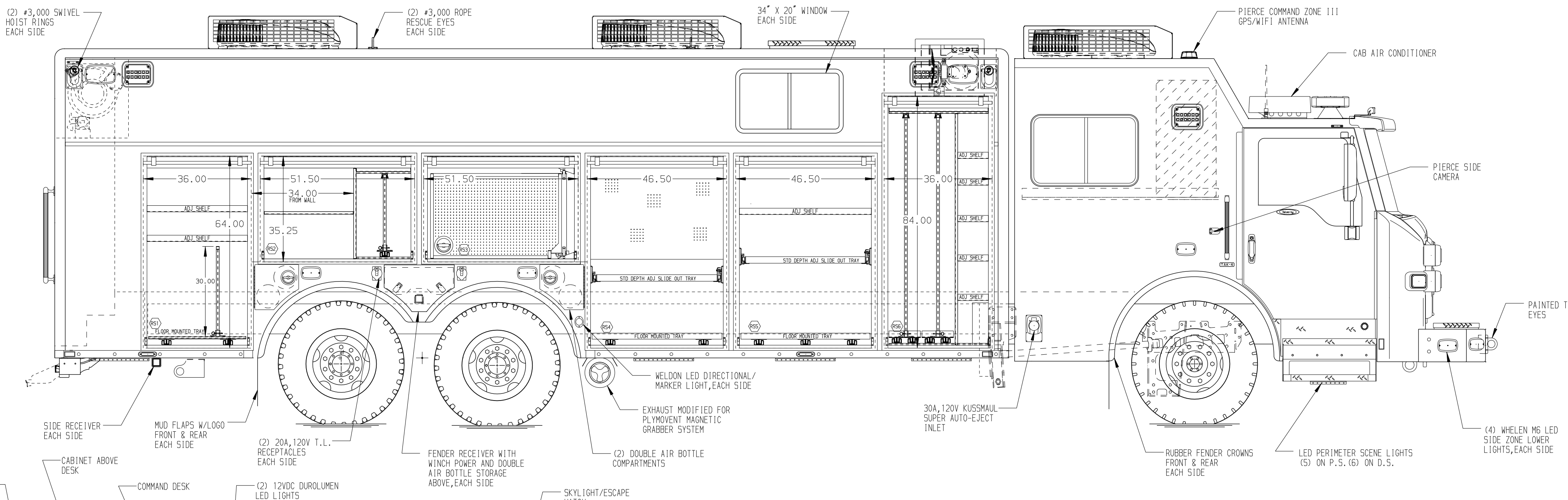
COMPARTMENT RS2 CONTAINS:
 - (1) HORIZONTAL PARTITION
 - (1) VERTICAL PARTITION
 - (1) STD DEPTH ADJ SLIDE OUT TOOLBOARD

COMPARTMENT RS3 CONTAINS:
 - (2) SWING OUT TOOLBOARDS

COMPARTMENT RS4 CONTAINS:
 - (1) STD DEPTH ADJ SLIDE OUT TRAY
 - (1) FLOOR MOUNTED TRAY
 - PEGBOARD ON SIDE AND BACK WALLS

COMPARTMENT RS5 CONTAINS:
 - (1) STD DEPTH ADJ SHELF
 - (1) STD DEPTH ADJ SLIDE OUT TRAY
 - (1) #750 FLOOR MOUNTED TRAY

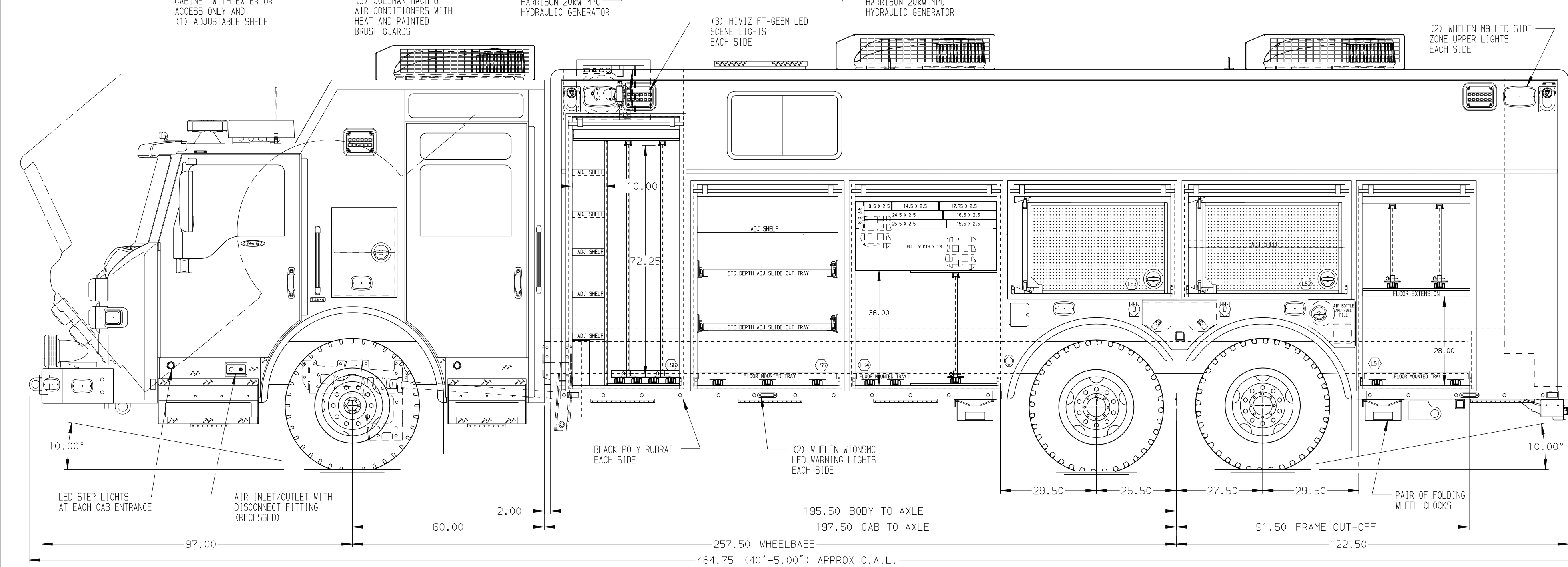
COMPARTMENT RS6 CONTAINS:
 - (5) STD DEPTH ADJ SHELVES
 - (2) STD DEPTH ADJ SLIDE OUT TRAYS WITH TOOLBOARDS
 - (1) VERTICAL PARTITION



REAR COMPARTMENT CONTAINS THE FOLLOWING:

COMPARTMENT B1 CONTAINS:
 - (1) STD DEPTH ADJ SLIDE OUT TOOLBOARD

COMPARTMENT B2 CONTAINS:
 - (1) ELECTRIC CORD REEL WITH 200' OF 10/3 BLACK CORD
 - (1) ADJUSTABLE SHELF



LEFT SIDE COMPARTMENTS CONTAIN THE FOLLOWING:

COMPARTMENT LS1 CONTAINS:
 - (1) HORIZONTAL FLOOR EXTENSION
 - (2) STD DEPTH ADJ SLIDE OUT TOOLBOARDS
 - (1) FLOOR MOUNTED TRAY

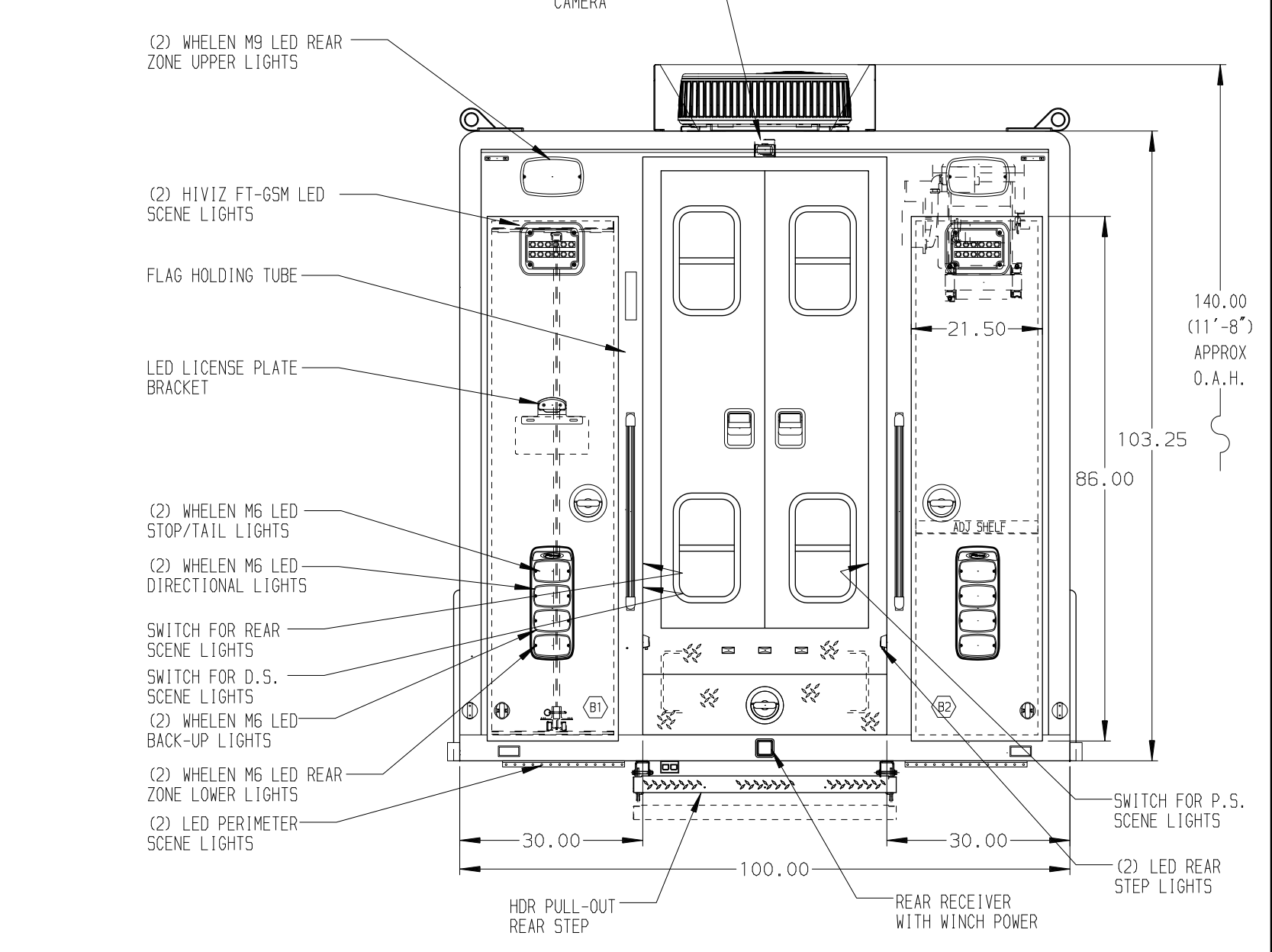
COMPARTMENT LS2 CONTAINS:
 - (1) SWING OUT TOOLBOARD
 - (1) SPECIAL DEPTH ADJ SHELF

COMPARTMENT LS3 CONTAINS:
 - (2) SWING OUT TOOLBOARDS

COMPARTMENT LS4 CONTAINS:
 - (1) STD DEPTH SLIDE OUT TOOLBOARD
 - (1) FLOOR MOUNTED TRAY
 - (1) RACK FOR 9 AIR BAGS WITH CARGO RETENTION NETTING

COMPARTMENT LS5 CONTAINS:
 - (2) STD DEPTH FLOOR MOUNTED TRAYS WITH TOOLBOARDS
 - (1) STD DEPTH ADJ SHELF
 - (1) BRAKE SYSTEM COMPRESSOR

COMPARTMENT LS6 CONTAINS:
 - (5) STD DEPTH ADJ SHELVES
 - (1) VERTICAL COMPARTMENT PARTITION



NOTE
 DIMENSIONS SHOWN ARE APPROXIMATE AND ARE SUBJECT TO MINOR DEVIATIONS AS MAY OCCUR OR BE NECESSARY IN CONSTRUCTION. MINOR DETAILS NOT SHOWN.

NOTES:

- 10TA 75 AMP BATTERY CHARGER BEHIND DRIVER'S SEAT
- POLISHED 5/8" SCUFFPLATES ON CAB DOOR JAMBS
- ALUMINUM TREADPLATE ON ALL BODY COMPARTMENT FLOORS
- FLOOR IN CAB AND COMMAND CAB TO BE PADDED RUBBER
- BATTERY CHARGE INDICATOR LOCATED ON DRIVER'S SEAT WITH BRACKET
- AMDR FLEX-HD PULL STRAPS ON EACH BODY COMPARTMENT ROLL-UP DOOR
- 5/8" L-SHAPED GUARDS ON ALL BODY ROLL-UP DOORS
- PIERCE DUAL LED LIGHT STRIPS LOCATED IN EACH BODY COMPARTMENT
- (3) 20A, 120V DUPLEX RECEPTACLES MOUNTED IN CREW CAB WORK AREA

MAXIMUM O.A.L. 40'-5"

(SIDE ROLL & FRONTAL IMPACT PROTECTION)

CLEAR DOOR WIDTH KEY		CHASSIS DATA	TITLE
AMDR ROLL UP DOORS:	-2 1/4"	23MAR21	HEAVY DUTY RESCUE WALKIN
CURTAIN ROLL UP DOORS:	-2 1/2"	18JAN21	DALLAS FIRE DEPARTMENT
PIERCE DOUBLE LIP DOORS:	-4 1/4"	13NOV20	DALLAS, TX
PIERCE LIFT-UP LIP DOORS:	-1 1/2"		
(EX: 60" F-F - 2 1/4" = 57 3/4" CLEAR)			
(F-F) = FRAME TO FRAME		REV	DATE
		BY	CH
			VXFR620

Pierce MANUFACTURING INC.

JOB NO. 35455

SCALE 1:24 DATE

DRAWN BY DHE 280CT20

CHECKED BY AZU 290CT20

SHEET SIZE D SHEET NO. 1 OF 1

FOR SCOTT BECKWITH

DWG NO. 35455AD-SH1