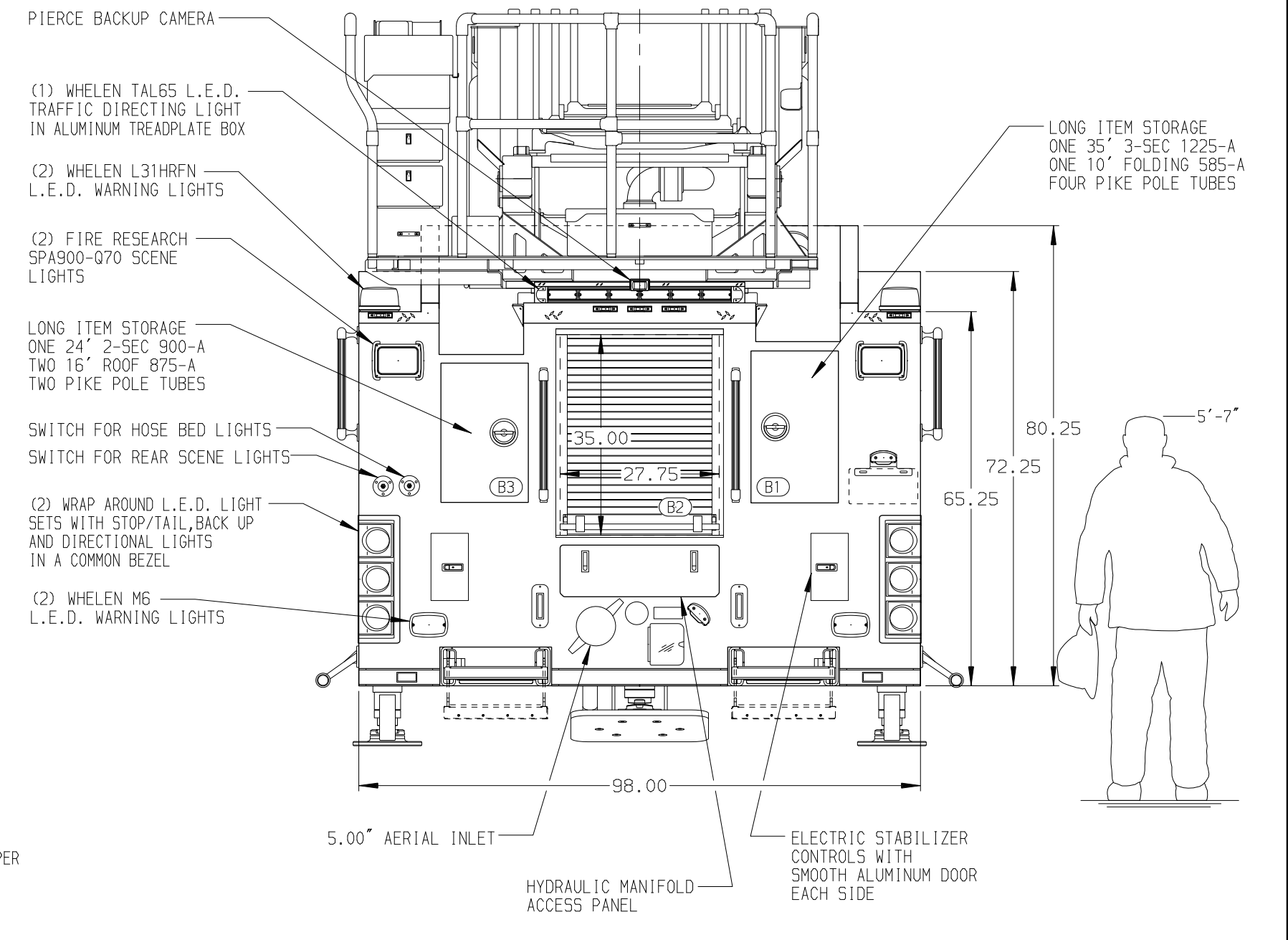
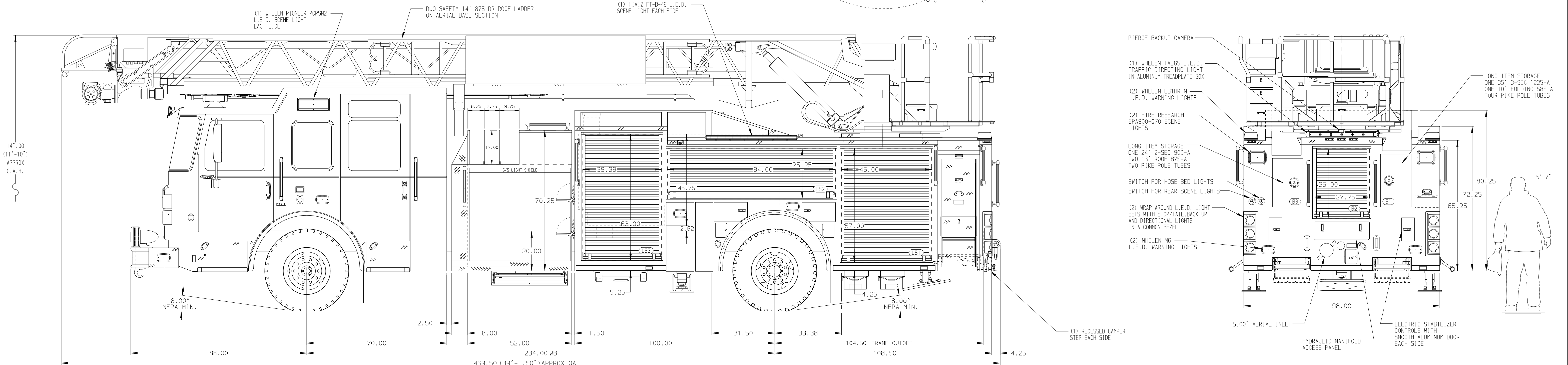


<p>BODY 107' ASL Aluminum Body</p> <p>COMPT, LEFT SIDE FRONT Full Height RollUp Forward</p> <p>COMPT, LEFT SIDE REAR Full Height RollUp Rearward</p> <p>COMPT, RIGHT SIDE FRONT Full Height RollUp Forward</p> <p>COMPT, RIGHT SIDE REAR Full Height RollUp Rearward</p>	<p>WATER TANK 500 Gallon Poly Water Tank</p> <p>Foam System Plumbing for Future Husky Foam System</p> <p>Foam Cell 20 Gallon Foam Cell, Non Reduced Water</p>
---	--



<p>CHASSIS Enforcer Chassis 450 HP Cummins L9 Engine</p>	<p>CAB 7010 Enforcer Notched Cab 19\"/> </p>	<p>AXLE, FRONT, CUSTOM 22,800 Lb TAK-4 Axle</p> <p>AXLE, REAR 33,500 Lb Meritor Axle</p>	<p>TRANSMISSION Allison 5th Gen, 3000 EVS P</p>	<p>PUMPHOUSE 52\"/> </p>	<p>CROSSLAYS, 1.50\" (2) 1.50\" Standard Capacity</p> <p>CROSSLAYS, 2.50\" (1) 2.50\" Standard Capacity</p>	<p>SPEEDLAYS Speedlays Not Required GENERATOR Generator Not Required</p>	<p>SAFETY Side Roll and Frontal Impact Protection</p>	<p>CUSTOMER APPROVAL APPROVED BY: _____ DATE: _____</p>	<p>Pierce MANUFACTURING INC.</p>	<p>JOB NO. 35447</p> <p>SCALE 1:24 DATE</p> <p>DRAWN BY TKA 15JUN20</p> <p>CHECKED BY THS 15JUN20</p> <p>SHEET SIZE D SHEET NO. 1 OF 1</p>
<p>NOTE DIMENSIONS SHOWN ARE APPROXIMATE AND ARE SUBJECT TO MINOR DEVIATIONS AS MAY OCCUR OR BE NECESSARY IN CONSTRUCTION. MINOR DETAILS NOT SHOWN.</p>										
<p>1. ONE 1.50\"/> </p>										