

PUMPER BODY

Long Aluminum 2nd Gen Pumper

CHASSIS

Enforcer Chassis

CHASSIS AXLE, FRONT, CUSTOM

18,000 Lb Meritor Axle

AXLE, REAR

27,000 Lb Meritor Axle

ENGINE

450 HP Cummins L9 Engine

TRANSMISSION

Allison 5th Gen, 3000 EVS P

BUMPER

19" Extended Painted Steel

CAB

6010 Enforcer Cab

BODY

WATER TANK

1000 Gallon Poly Water Tank

COMPT, PUMPER, REAR

44.50" FF RollUp Rear Compt

COMPT, PUMPER, LEFT SIDE

161" RollUp Full Height Front & Rear FDLR

COMPT, PUMPER, RIGHT SIDE

161" RollUp Full Height Front & Rear FDLR

FIRE SUPPRESSION PUMPHOUSE

48" Control Zone Side Mount

PUMP

1500 GPM Waterous CSU

CROSSLAYS, 1.50"

1.50" Crosslays Not Required

CROSSLAYS, 2.50"

2.50" Crosslay Not Required

SPEEDLAYS

(2) 1.50" & (1) 2.50" w/Troy Std. Capacity

GENERATOR

Generator Not Required

Foam System

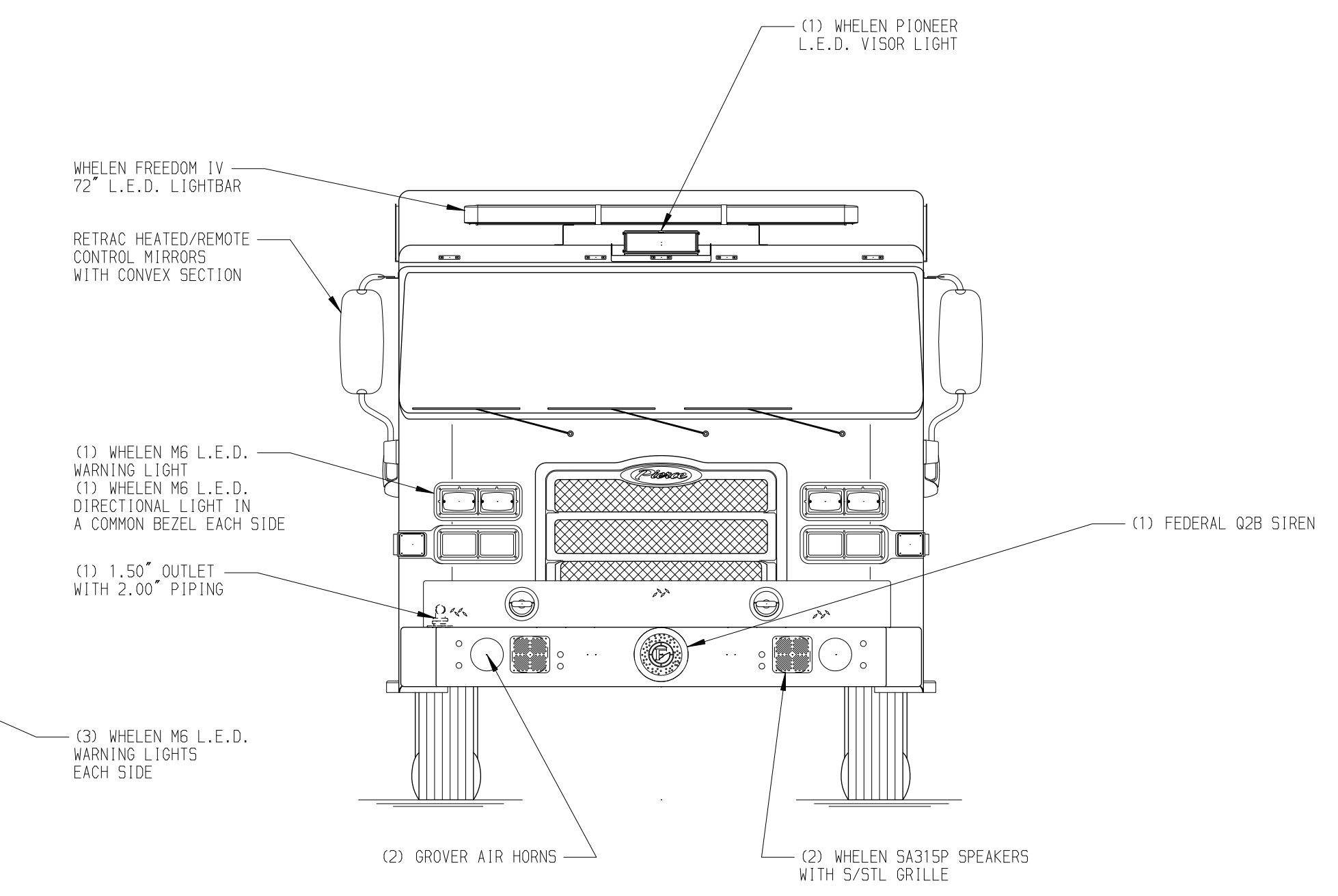
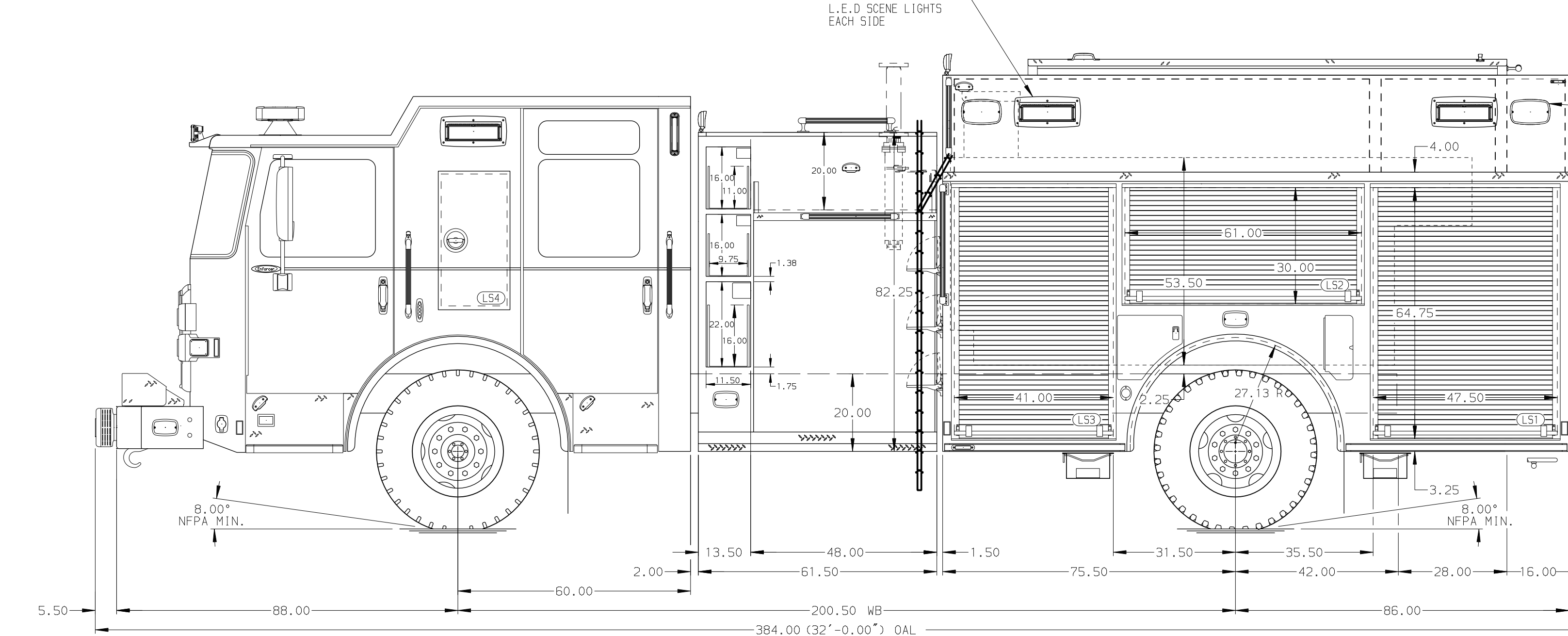
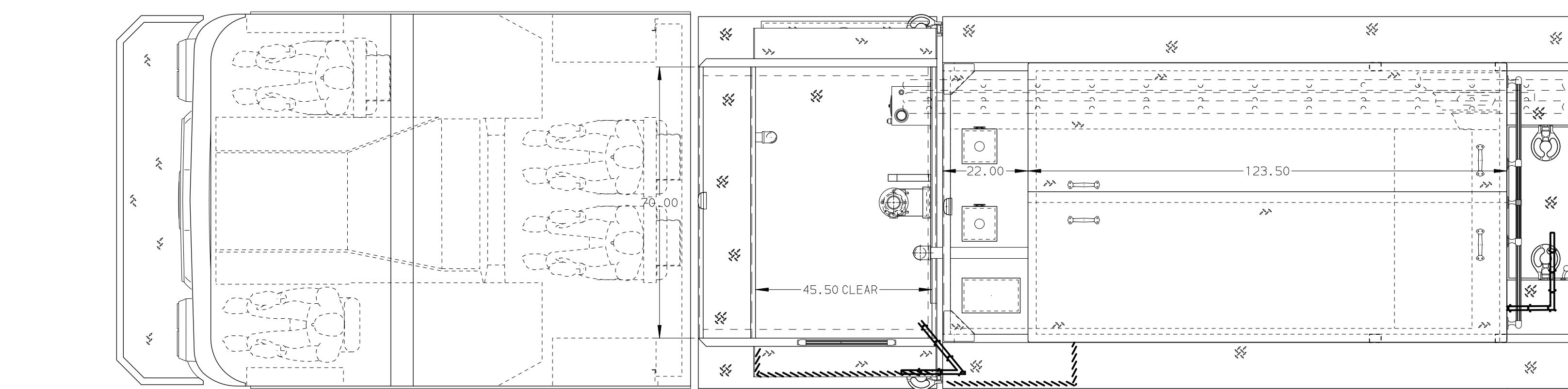
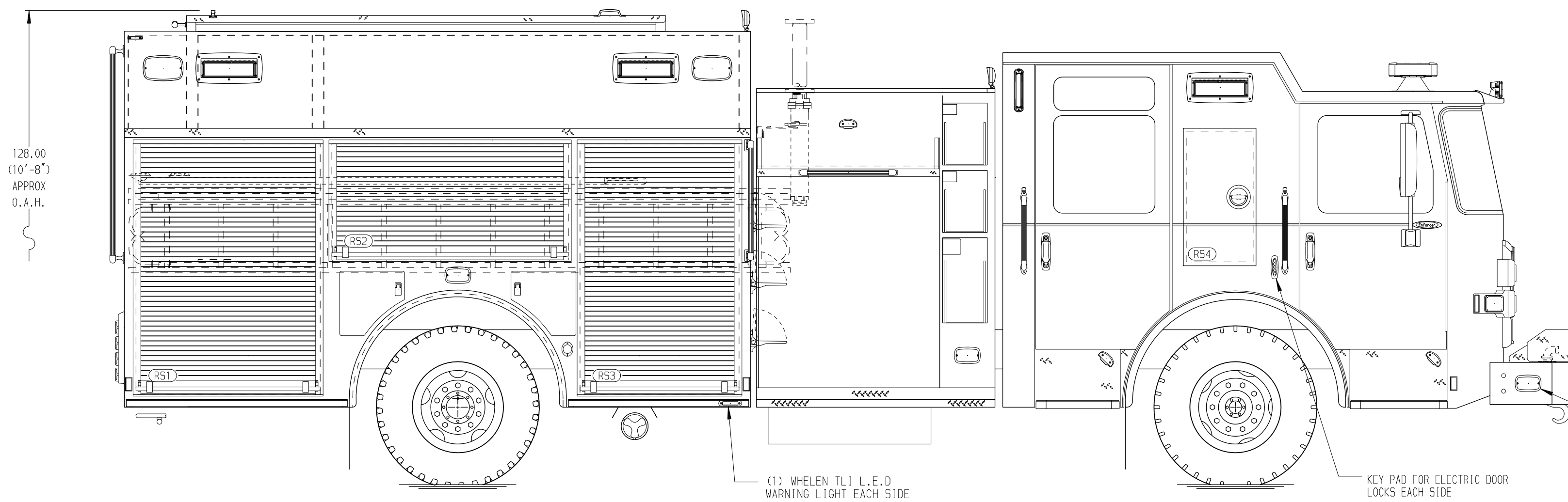
Husky 12 Single Agent Foam System

Foam Cell

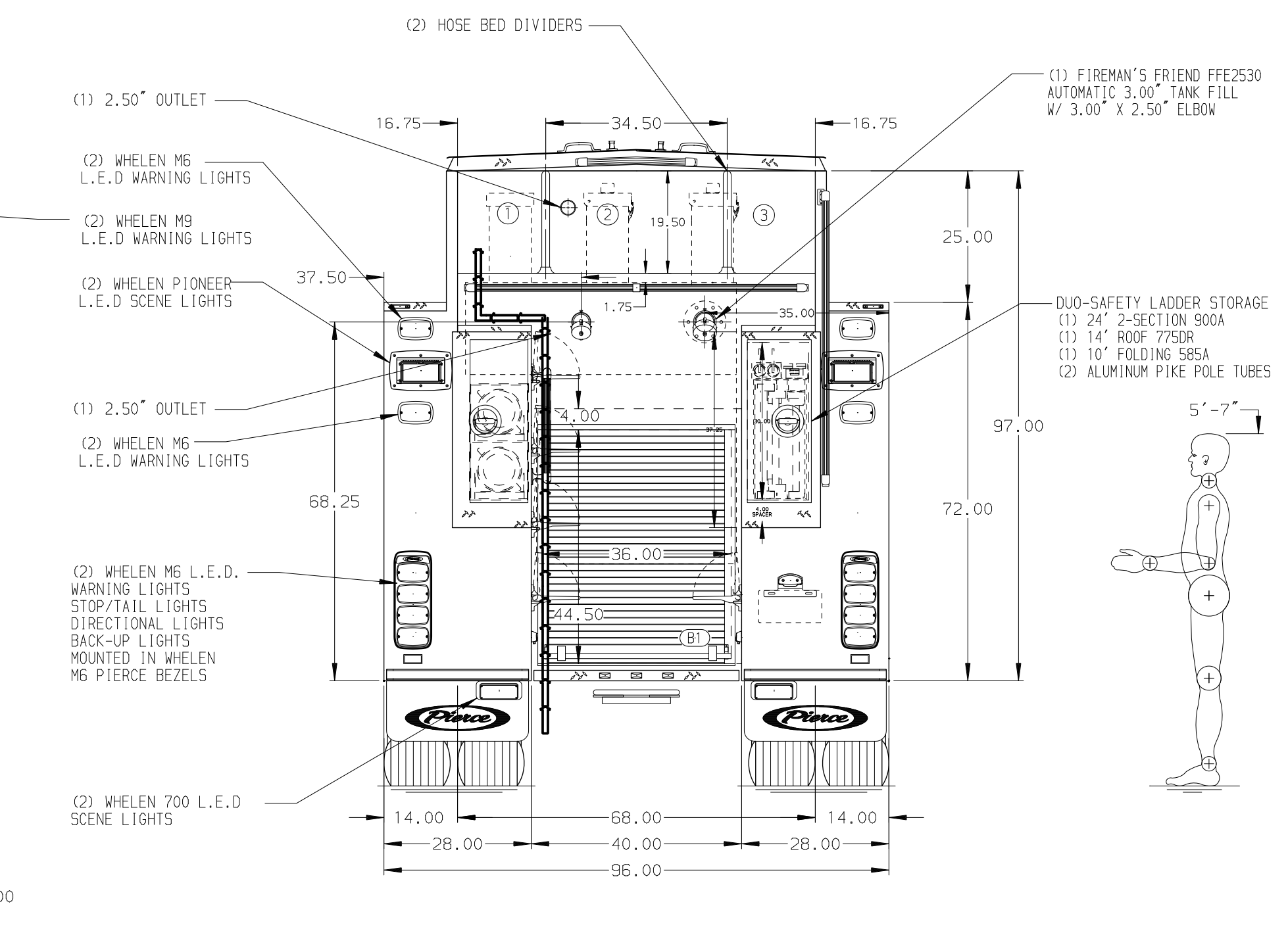
20 & 30 Gallon Foam Cell, Not Reduced Water

NOTE
DIMENSIONS SHOWN ARE APPROXIMATE AND ARE SUBJECT TO MINOR DEVIATIONS AS MAY OCCUR OR BE NECESSARY IN CONSTRUCTION. MINOR DETAILS NOT SHOWN.

1. SHORELINE RECEPTACLE WITH KUSSMAUL SUPER AUTO-EJECT LOCATED ON DRIVER SIDE STEP WELL
2. AIR INLET/OUTLET WITH DISCONNECT COUPLING ON DRIVER SIDE PUMP PANEL
3. BATTERY CHARGER LOCATED IN COMPARTMENT PER SHOP ORDER
4. BATTERY CHARGE INDICATOR LOCATED ON THE DRIVER SIDE SEAT RISER
5. FIVE ADJUSTABLE SHELVES IN COMPARTMENTS PER SHOP ORDER
6. ONE SWING-OUT TOOLBOARD LOCATED IN COMPARTMENT PER SHOP ORDER
7. THREE FLOOR MOUNTED SLIDE-OUT TRAYS LOCATED IN COMPARTMENT PER SHOP ORDER
8. ONE ADJUSTABLE SLID-OUT TRAY LOCATED IN COMPARTMENT PER SHOP ORDER



HOSEBED CAPACITY	
BED 1	500' OF 5.00" D.J. POLY HOSE
BED 2	1000' OF 3.00" D.J. POLY HOSE
BED 3	500' OF 5.00" D.J. POLY HOSE



		JOB NO.	35440
		SCALE	DATE
Pierce Pumper Approval Drawing Heath Fire Department		DRAWN BY	MMF 28JUL20
		CHECKED BY	NPE 30JUL20
DWG NO. 35440AD		SHEET SIZE	SHEET NO.
		D	1 OF 1

REV	DATE	BY	CH	ENFORCER
06NOV20	MMF	GKH		PIERCE
01OCT20	MMF	COL		MODEL