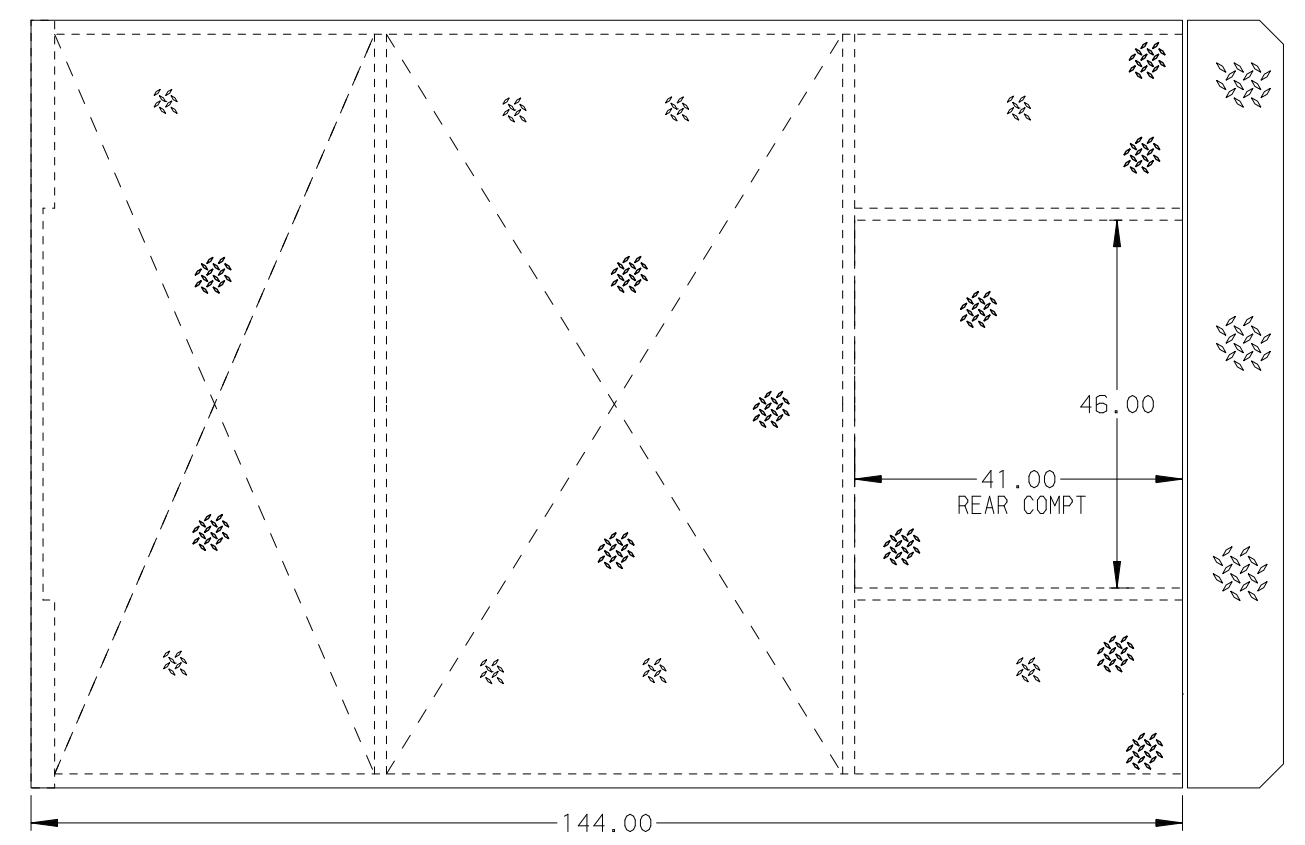
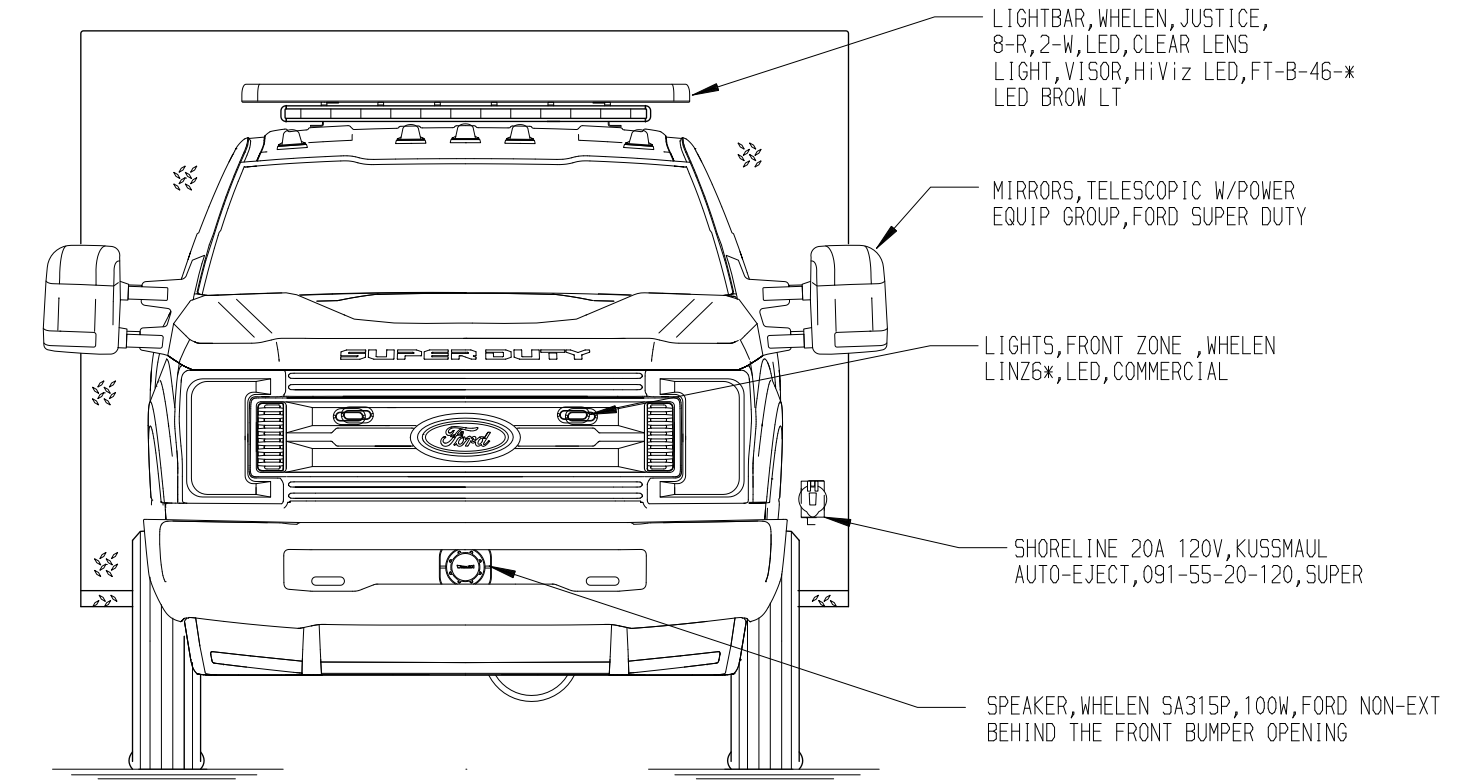
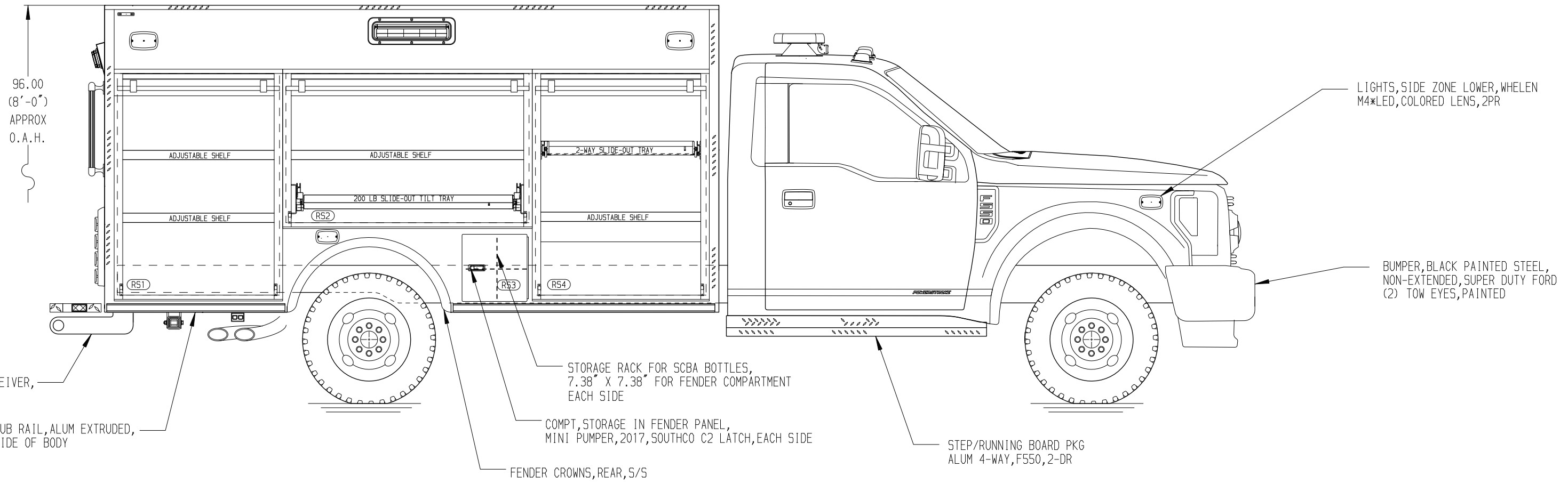


**RIGHT SIDE COMPARTMENTS CONTAIN THE FOLLOWING:**

COMPARTMENT R51 CONTAINS:  
 - (2) SHELF, ADJUSTABLE, 500LB, STD DEPTH

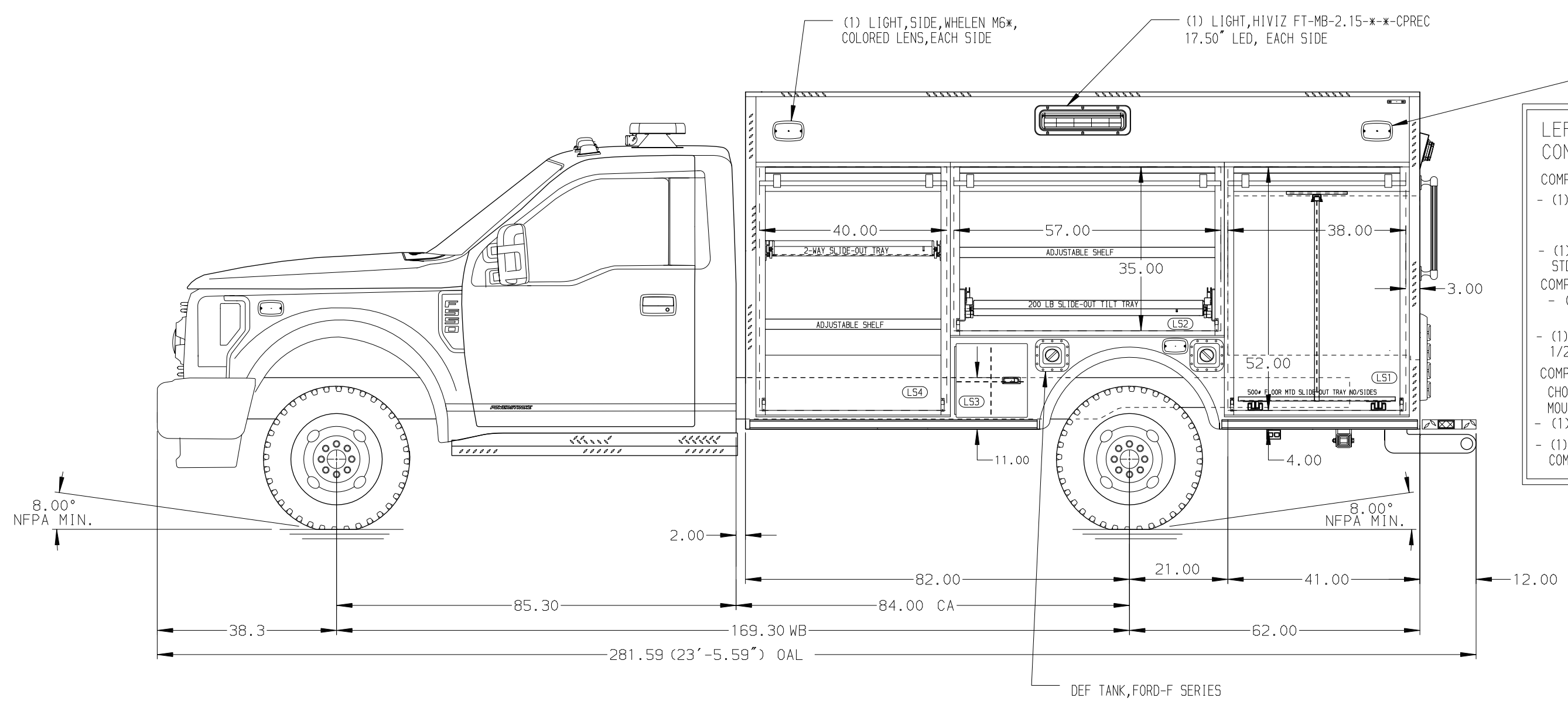
COMPARTMENT R52 CONTAINS:  
 - (1) SHELF, ADJUSTABLE, 500LB CAP, 1/2 DEPTH OF TRANSVERSE COMPT  
 - (1) TRAY, SLIDE OUT, TILT 30°, 1/2 DEPTH OF TRANSVERSE COMPT, 200+ CAP

COMPARTMENT R54 CONTAINS:  
 - (1) SHELF, ADJUSTABLE, 500LB, STD DEPTH  
 - (1) TRAY, SLIDE OUT, TWO WAY, TRANSVERSE COMPT, ADJUSTABLE HEIGHT, 500+ CAPACITY



**REAR COMPARTMENT B1 CONTAINS THE FOLLOWING:**

COMPARTMENT B1 CONTAINS:  
 - (1) TRAY, SLIDE OUT, STD DEPTH, FLOOR MOUNTED, 500LB CAPACITY  
 - (1) SHELF, ADJUSTABLE, 500LB CAP, STANDARD DEPTH COMPT

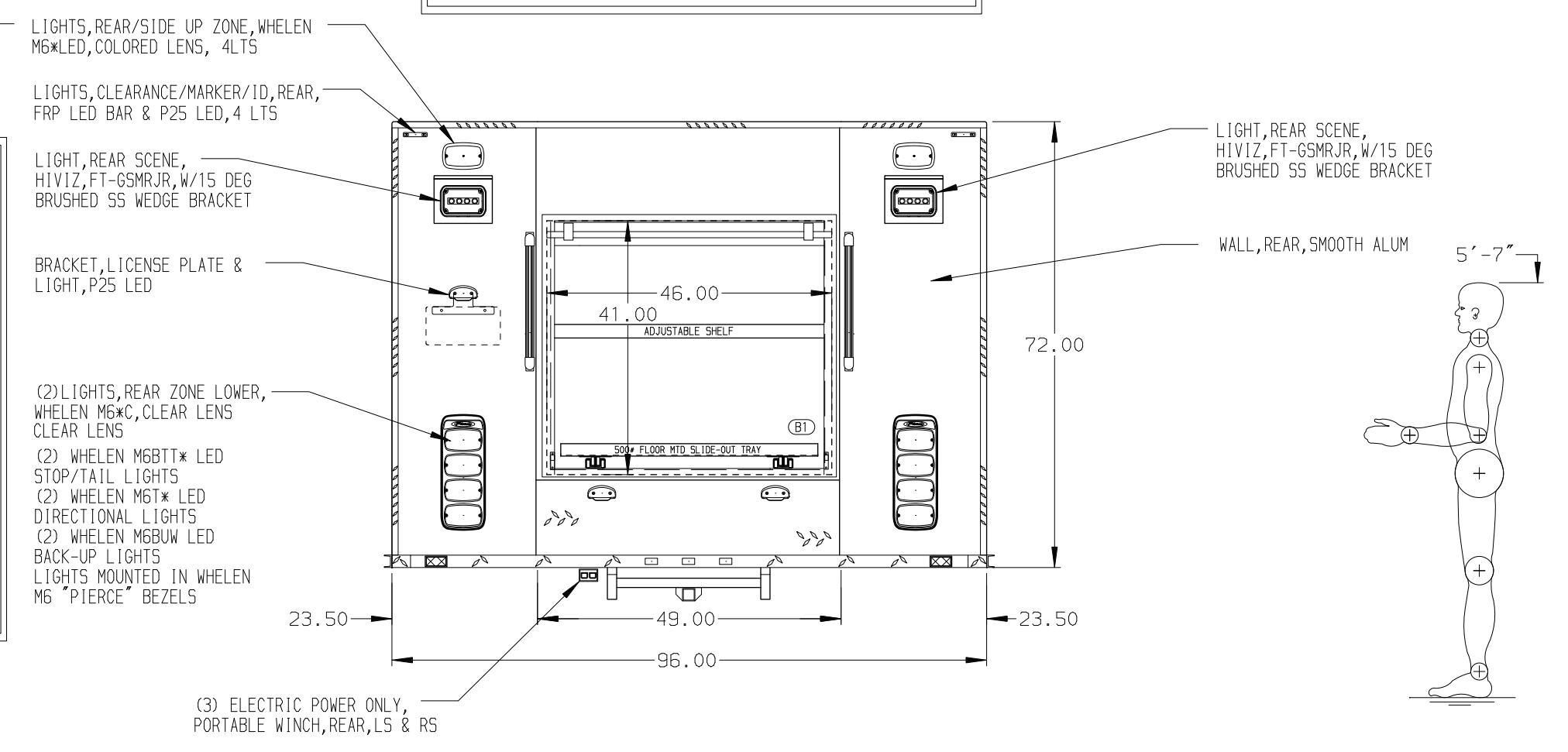


**LEFT SIDE COMPARTMENTS CONTAIN THE FOLLOWING:**

COMPARTMENT L51 CONTAINS:  
 - (1) TOOLBOARD, ADDED TO SLIDE-OUT TRAY, 1/2 DEPTH TRANSVERSE & STD, TRAY NOT INCLUDED  
 - (1) TRAY, SLIDE-OUT, W/O SIDES, STD DEPTH, FLOOR MOUNTED, 500+ CAPACITY

COMPARTMENT L52 CONTAINS:  
 - (1) SHELF, ADJUSTABLE, 500LB CAP, 1/2 DEPTH OF TRANSVERSE COMPT  
 - (1) TRAY, SLIDE OUT, TILT 30°, 1/2 DEPTH OF TRANSVERSE COMPT, 200+ CAP

COMPARTMENT L54 CONTAINS:  
 - CHOCKS, WHEEL, SPECIAL SERVICES, W/ MOUNTING BRACKETS, PROVIDED BY DEALER  
 - (1) SHELF, ADJUSTABLE, 500LB, STD DEPTH  
 - (1) TRAY, SLIDE OUT, TWO WAY, TRANSVERSE COMPT, ADJUSTABLE HEIGHT, 500+ CAPACITY



**ALUMINUM BODY**

**NOTE**  
 DIMENSIONS SHOWN ARE APPROXIMATE AND ARE SUBJECT TO MINOR DEVIATIONS AS MAY OCCUR OR BE NECESSARY IN CONSTRUCTION. MINOR DETAILS NOT SHOWN.

		JOB NO.	35438
		DATE	21OCT20
MANUFACTURING INC. BRADENTON, FLORIDA		SCALE	1:24
		DRAWN BY	JLA
TITLE 12' RESCUE, NON-WALK IN		FOR	COMO FIRE DEPARTMENT COMO, NORTH CAROLINA
		CHK'D BY	RWI
CHASSIS DATA FORD MODEL F-550 4X4		SHEET NO.	1 OF 1
		SHEET SIZE	D
DRWG. NO.		35438AD	